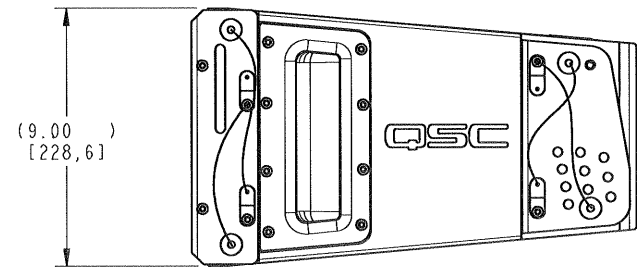
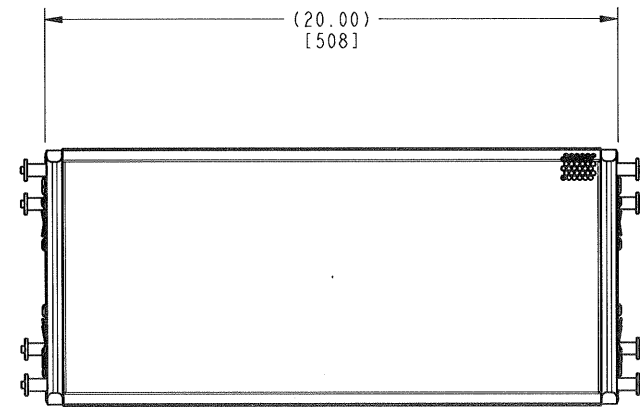
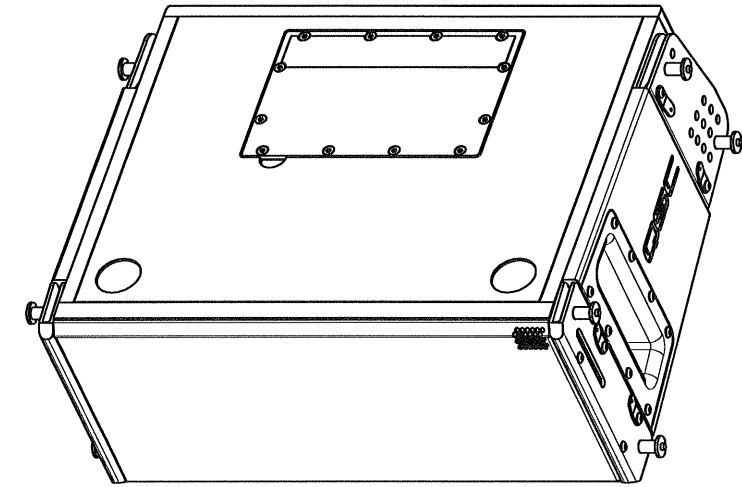
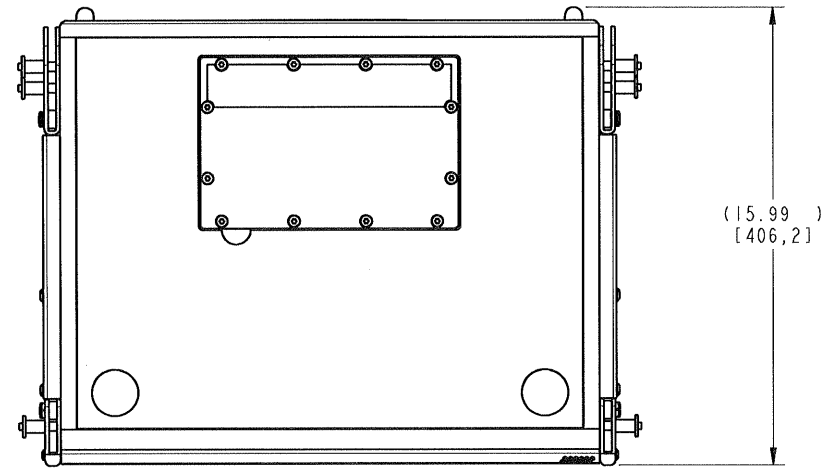


THIS DOCUMENT CONTAINS PROPRIETARY INFORMATION WHICH IS THE PROPERTY OF QSC AUDIO PRODUCTS, THAT MAY NOT BE DISCLOSED, REPRODUCED OR USED WITHOUT EXPRESS WRITTEN CONSENT FROM QSC AUDIO PRODUCTS.

REVISIONS				
REV	DESCRIPTION	EFF DATE	CHK	APPROVED DATE
4	ADDED LABELS, RIGGING LANYARD	02-14-07		
A	PROD. RLSE W/O CHANGE PER ECO 7853 MP	3-09-07	LB	DD
B	REVISED PER ECO 7911 MP	4-06-07		DD
C	REVISED PER ECO 8239 RS	8-20-07		DD

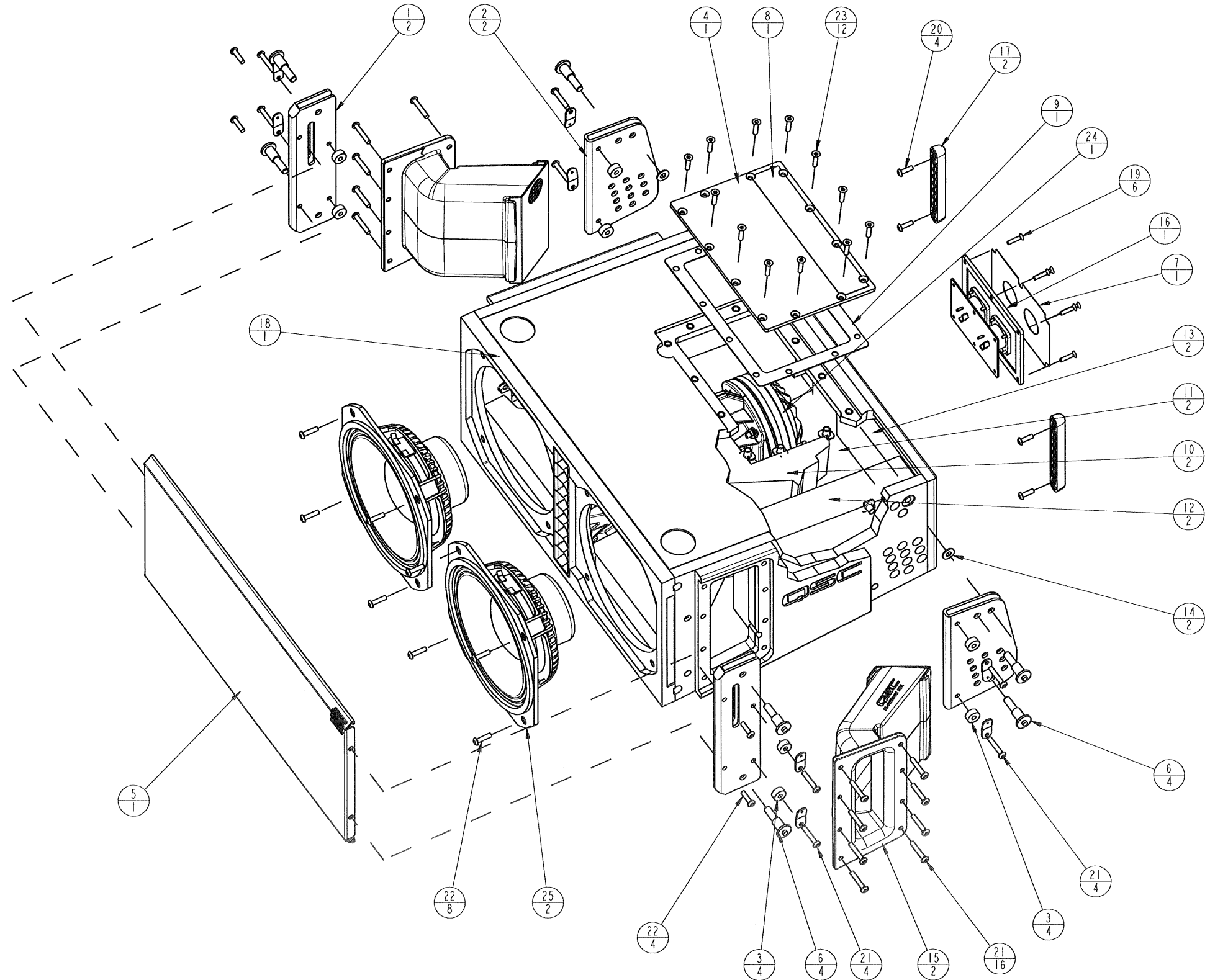


TABULATION BLOCK	
PART NUMBER	COLOR
WP-003082-01	BLACK
WP-003082-02	WHITE

UNLESS OTHERWISE SPECIFIED DIMENSIONS ARE IN INCHES. TOLERANCES ARE: DECIMALS DECIMALS ANGLES .XX ± .02 .XXX ± .010 ± 1/2 DEBURR EDGES .010 R MAX		CONTRACT NO.		QSC QSC AUDIO PRODUCTS, INC. 1675 MACARTHUR BOULEVARD COSTA MESA, CA 92626	
APPROVALS		DATE		SPEAKER ASSEMBLY, TOP WL3082	
DRAWN R. SHIMA		12-Mar-07		SIZE CASE CODE DWG NO.	
CHECKED R. BALTHAZAR		2-23-07		D OOPW4 WP-003082-XX	
MATERIAL NONE		MFG ENG S. FELTS		REV	
FINISH NONE		ISSUED D. DELARM		C	
DO NOT SCALE DRAWING		MODEL INFO WP-003082-00.main.C.2		SCALE 0.313 SHEET 1 of 2	
		DRAWING INFO			

DWG NO. WP-003082-XX
REV C

THIS DOCUMENT CONTAINS PROPRIETARY INFORMATION WHICH IS THE PROPERTY OF QSC AUDIO PRODUCTS, THAT MAY NOT BE DISCLOSED, REPRODUCED OR USED WITHOUT EXPRESS WRITTEN CONSENT FROM QSC AUDIO PRODUCTS.



SIZE	CAGE CODE	DWG NO.	REV
D	00PW4	WP-003082-XX	C
SCALE 0.375	WP-003082-XX.C.2		SHEET 2 of 2

DWG NO. WP-003082-XX
REV. 2 C

Current BOM

as of 08/23/2007 08.28.20 AM

Assembly Item Number	WP-003082-01	Assembly Description	SPEAKER ASSY,,WL3082,,BLAC	Assembly Revision	C	Assy Rev Date	08/20/2007	Org	COSTA MESA
----------------------	--------------	----------------------	----------------------------	-------------------	---	---------------	------------	-----	------------

Part Number	Rev	Description	Item No.	Eff Date	Qty	Op Sequence	Comments	Ref Des
CH-000601-01	A2	RIGGING CHANNEL, FRONT, BLACK, WL3082,	1	08/28/2006	2.00	200		
CH-000602-01	A2	RIGGING CHANNEL, REAR, BLACK, WL3082,	2	08/28/2006	2.00	200		
CH-000650-00	A	SPACER, RIGGING CHANNEL, , WL3082,	5	08/28/2006	8.00	200		
CH-000655-01	B1	PLATE, ACCESS, BLACK, WL3082,	6	08/28/2006	1.00	200		
CH-000656-01	A2	GRILLE, BLACK, , WL3082,	7	08/28/2006	1.00	200		
HW-000128-00	B	PIN, RIGGING, SKY-PIN, M8X14, LANYARD 7.5", ,	8	08/28/2006	8.00	200		
LB-000630-00	A	LABEL, INPUT, , WL3082,	9	08/28/2006	1.00	200		
LB-000674-00	A	LABEL, LOAD AND DESIGN FACTOR, , WL3082, LINE ARRAY	10	01/22/2007	1.00	200		
MS-000414-00	A	GASKET, ACCESS PLATE, WL3082, ,	11	12/18/2006	1.00	200		
MS-000416-00	A	INSULATION DAMPING, TOP, WL3082, ,	12	12/18/2006	2.00	200		
MS-000417-00	A	INSULATION DAMPING, BOTTOM, WL3082, ,	13	12/18/2006	2.00	200		
MS-000418-00	A	INSULATION DAMPING, SIDE, WL3082, ,	14	12/18/2006	2.00	200		
MS-000419-00	A	INSULATION DAMPING, REAR, WL3082, ,	15	12/18/2006	2.00	200		
NW-000046-00	B1	WASHER, , , .281 ID, .625 OD, .062 THK. TOL. +/- .010, STEEL, BLACK ZIN W/ 6107 LUBE, CR3	16	10/02/2006	2.00	200		
PA-000131-01	C	PORT/HANDLE ASSY, WL3082, BLACK, ,	17	08/28/2006	2.00	200		
PA-000132-00	B	INPUT ASSY, WL3082, , ,	18	08/28/2006	1.00	200		
PL-000411-00	A	BUMPER, ENCLOSURE, SKIDS, , BLACK, WL2102-w	19	10/30/2006	2.00	200		
RD-000158-00	L	LABEL, SERIAL NUMBER, SPEAKER, 1.7" X .45" IN-HOUSE	31	10/23/2006	0.00	1		
SB-000064-01	A	CABINET ASSY, TOP, WL3082, , BLACK,	20	08/20/2007	1.00	200		
SC-000070-00	C	PHILLIPS, FLAT HEAD, #8 X 0.75, 82 DEG, BLACK PHOS W/6219 LUBE, STAINLESS STEEL, CR111	21	10/02/2006	6.00	200		
SC-000112-00	B	SCREW, BH, TORX, #10-32 X 0.63, , BLK PHOSPHATE W/6219 LUBE,	22	10/02/2006	4.00	200		
SC-000148-00	A	SCR, BTNH, TORX, M5X30, , STL, BLK, ZINC W/6219 LUBE,	24	11/28/2006	24.00	200		
SC-000152-20	A1	SCR, BTNH, TORX, M5-0.8X20 STL CLASS 10.9, , BLK PHOS W/6219 LUBE,	25	11/28/2006	12.00	200		
SC-000157-20	A	SCR, FLH, TORX, M5, .8X20, STL, BLK, PHOS W/6219 LUBE,	26	11/28/2006	12.00	200		

Assembly Item Number	WP-003082-01	Assembly Description	SPEAKER ASSY,,WL3082,,BLACK	Assembly Revision	C	Assy Rev Date	08/20/2007	Org	COSTA MESA
----------------------	--------------	----------------------	-----------------------------	-------------------	---	---------------	------------	-----	------------

Part Number	Rev	Description	Item No.	Eff Date	Qty	Op Sequence	Comments	Ref Des
SP-000118-00	A	COMPRESSION DRIVER, , , DE800-16, ,	28	08/28/2006	1.00	200		
SP-000119-00	A	WOOFER, 8" , , , EMINENCE,	29	08/28/2006	2.00	200		
TP-003082-01	1	LOUDSPEAKER SYSTEM, TEST SPECIFICATION, WL3082,	30	01/18/2007	0.00	1		

Current BOM

as of 08/23/2007 08.28.34 AM

Assembly Item Number		Assembly Description		Assembly Revision		Assy Rev Date		Org	
WP-003082-02		SPEAKER ASSY,,WL3082,,WHIT		C		08/20/2007		COSTA MESA	
Part Number	Rev	Description	Item No.	Eff Date	Qty	Op Sequence	Comments	Ref Des	
CH-000601-02	A2	RIGGING CHANNEL, FRONT, WHITE, WL3082,	1	02/21/2007	2.00	200			
CH-000602-02	A2	RIGGING CHANNEL, REAR, WHITE, WL3082,	2	02/21/2007	2.00	200			
CH-000650-00	A	SPACER, RIGGING CHANNEL, , WL3082,	5	02/21/2007	8.00	200			
CH-000655-02	B1	PLATE, ACCESS, WHITE, WL3082,	6	02/21/2007	1.00	200			
CH-000656-02	A2	GRILLE, WHITE, , WL3082,	7	02/21/2007	1.00	200			
HW-000128-00	B	PIN, RIGGING, SKY-PIN, M8X14, LANYARD 7.5", ,	8	02/21/2007	8.00	200			
LB-000630-00	A	LABEL, INPUT, , WL3082,	9	02/21/2007	1.00	200			
LB-000674-00	A	LABEL, LOAD AND DESIGN FACTOR, , WL3082, LINE ARRAY	10	02/21/2007	1.00	200			
MS-000414-00	A	GASKET, ACCESS PLATE, WL3082, ,	11	02/21/2007	1.00	200			
MS-000416-00	A	INSULATION DAMPING, TOP, WL3082, ,	12	02/21/2007	2.00	200			
MS-000417-00	A	INSULATION DAMPING, BOTTOM, WL3082, ,	13	02/21/2007	2.00	200			
MS-000418-00	A	INSULATION DAMPING, SIDE, WL3082, ,	14	02/21/2007	2.00	200			
MS-000419-00	A	INSULATION DAMPING, REAR, WL3082, ,	15	02/21/2007	2.00	200			
NW-000046-00	B1	WASHER, , , .281 ID, .625 OD, .062 THK. TOL. +/- .010, STEEL, BLACK ZIN W/ 6107 LUBE, CR3	16	02/21/2007	2.00	200			
PA-000131-02	C	PORT/HANDLE ASSY, WL3082, WHITE, ,	17	02/21/2007	2.00	200			
PA-000132-00	B	INPUT ASSY, WL3082, , ,	18	02/21/2007	1.00	200			
PL-000411-00	A	BUMPER, ENCLOSURE, SKIDS, , BLACK, WL2102-w	19	02/21/2007	2.00	200			
RD-000158-00	L	LABEL, SERIAL NUMBER, SPEAKER, 1.7" X .45" IN-HOUSE	31	02/21/2007	0.00	1			
SB-000064-02	A	CABINET ASSY, TOP, WL3082, , WHITE,	20	08/20/2007	1.00	200			
SC-000070-00	C	PHILLIPS, FLAT HEAD, #8 X 0.75, 82 DEG, BLACK PHOS W/6219 LUBE, STAINLESS STEEL, CR111	21	02/21/2007	6.00	200			
SC-000112-00	B	SCREW, BH, TORX, #10-32 X 0.63, , BLK PHOSPHATE W/6219 LUBE,	22	02/21/2007	4.00	200			
SC-000167-30	A	SCR, BTNHD, TORX, M5X30, , BLK STL, WHITE, CR111,	24	02/21/2007	24.00	200			
SC-000168-20	B	SCR, BTNHD, TORX, M5, 0.8 X 20, STL CLASS 10.9, WHITE, CR111,	25	02/21/2007	12.00	200			
SC-000169-20	A	SCR, FLH, TORX, M5, .8 X 20, BLK STL, WHITE, CR111,	26	02/21/2007	12.00	200			

Assembly Item Number	WP-003082-02	Assembly Description	SPEAKER ASSY,,WL3082,,WHITE	Assembly Revision	C	Assy Rev Date	08/20/2007	Org	COSTA MESA
----------------------	--------------	----------------------	-----------------------------	-------------------	---	---------------	------------	-----	------------

Part Number	Rev	Description	Item No.	Eff Date	Qty	Op Sequence	Comments	Ref Des
SP-000118-00	A	COMPRESSION DRIVER, , , DE800-16, ,	28	02/21/2007	1.00	200		
SP-000119-00	A	WOOFER, 8", , , EMINENCE,	29	02/21/2007	2.00	200		
TP-003082-01	1	LOUDSPEAKER SYSTEM, TEST SPECIFICATION, WL3082,	30	02/21/2007	0.00	1		