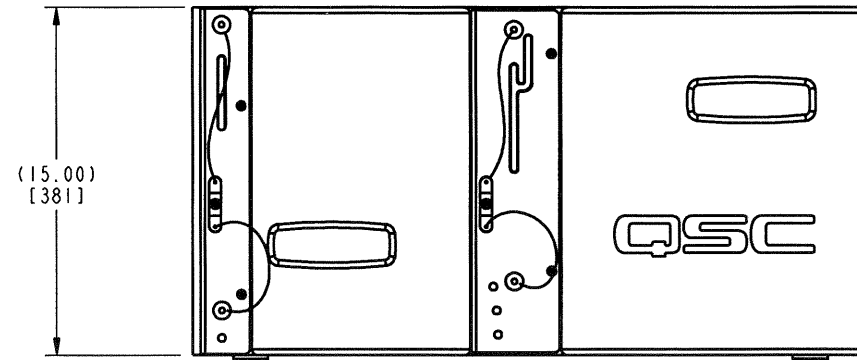
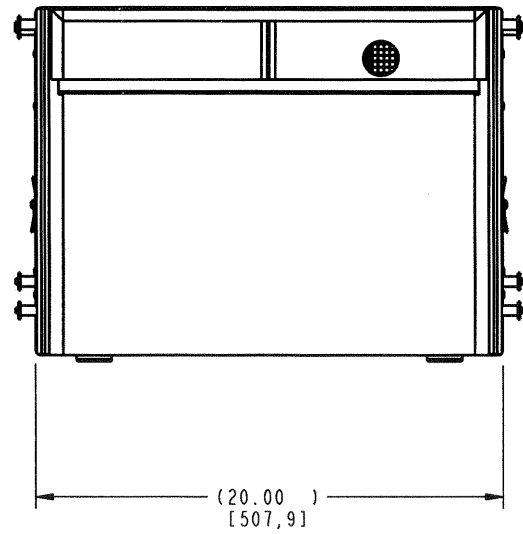
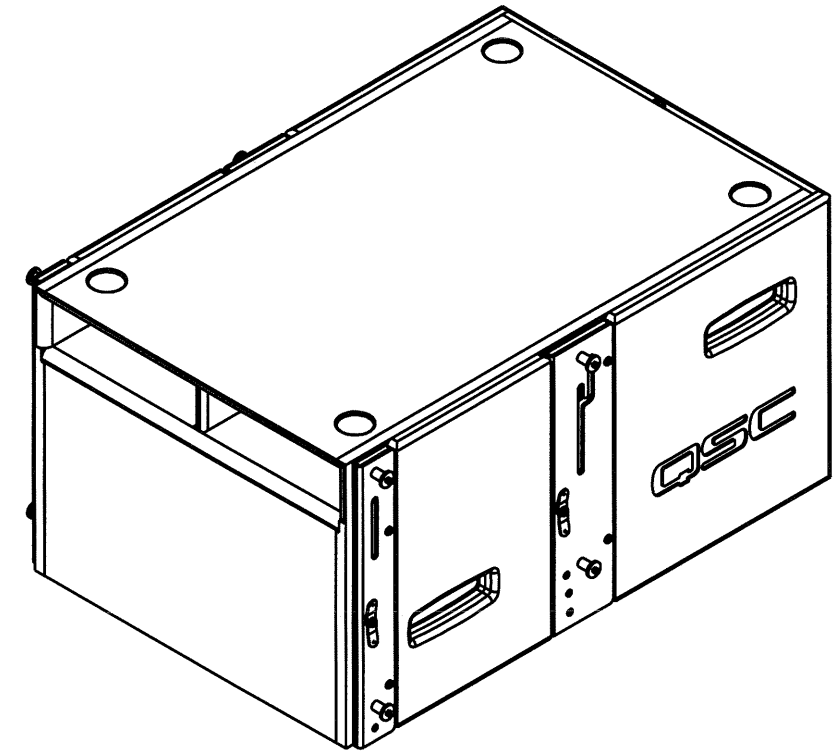
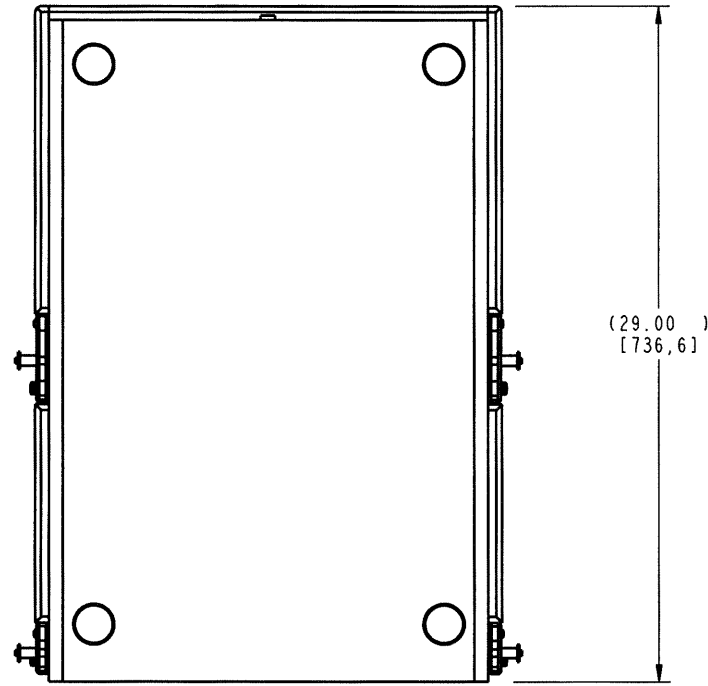


THIS DOCUMENT CONTAINS PROPRIETARY INFORMATION WHICH IS THE PROPERTY OF QSC AUDIO PRODUCTS, THAT MAY NOT BE DISCLOSED, REPRODUCED OR USED WITHOUT EXPRESS WRITTEN CONSENT FROM QSC AUDIO PRODUCTS.

REVISIONS				
REV	DESCRIPTION	EFF DATE	CHK	APPROVED DATE
3	ADDED LABEL, RIGGING LANYARD	02-17-07		
A	PROD. RLSE W/O CHANGE PER ECO 7853 MP	3-09-07	LB	
B	REVISED PER ECO 7911 MP	4-06-07		

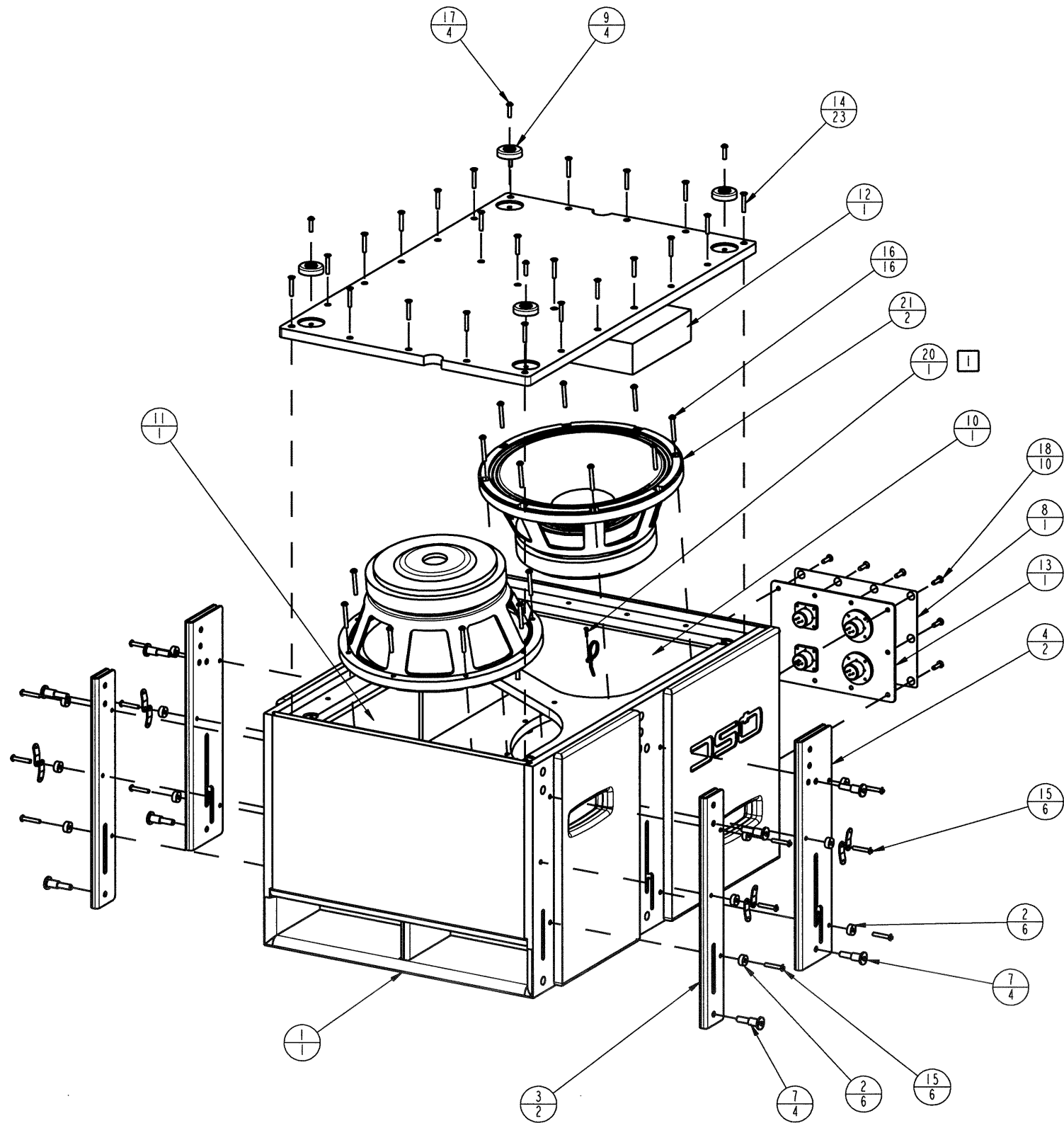


TABULATION BLOCK	
PART NUMBER	COLOR
WP-021200-01	BLACK
WP-021200-02	WHITE

UNLESS OTHERWISE SPECIFIED DIMENSIONS ARE IN INCHES. TOLERANCES ARE: DECIMALS DECIMALS ANGLES .XX ± .02 .XXX ± .010 ± 1/2 DEBURR EDGES .010 R MAX	CONTRACT NO.		QSC QSC AUDIO PRODUCTS, INC. 1675 MACARTHUR BOULEVARD COSTA MESA, CA 92626	
	APPROVALS		DATE	
	DRAWN R. SHIMA	30-Nov-06		ASSY, SUBWOOFER, BLACK WL212-sw
	CHECKED R. BALTHAZAR	2-23-07		
MATERIAL NONE	MFG ENG S. FELTS	2-23-07		SIZE D 00PW4
FINISH NONE	ISSUED D. DELARM	3-09-07		CAGE CODE WP-021200-XX
DO NOT SCALE DRAWING	WP-021200-XX.main.A.1	SCALE 0.250	WP-021200-XX.B.0	SHEET 1 of 2

SECURE DRIVER WIRING WITH CABLE TIE (PS-000207-00) AND SCREW APPROX. WHERE SHOWN.
NOTE: UNLESS OTHERWISE SPECIFIED

THIS DOCUMENT CONTAINS PROPRIETARY INFORMATION WHICH IS THE PROPERTY OF OSC AUDIO PRODUCTS. THAT MAY NOT BE DISCLOSED, REPRODUCED OR USED WITHOUT EXPRESS WRITTEN CONSENT FROM OSC AUDIO PRODUCTS.



SIZE	CAGE CODE	DWG NO.	REV
D	00PW4	WP-021200-XX	B
SCALE 0.250	WP-021200-XX.B.0	SHEET 2 of 2	

DWG NO. WP-021200-XX
SHEET 2 of 2
REV B

Current BOM
as of 06-APR-07 08.25.06 AM

Assembly Item Number: WP-021200-01	Assembly Description: SPEAKER ASSY,,WL212-sw,,BLACK	Assembly Revision: B	Assy Rev Date: 06-APR-07	Org: COSTA MESA
------------------------------------	---	----------------------	--------------------------	-----------------

	Part Number	Rev	Description	Item No.	Eff Date	Qty	Op Sequence	Comments	Ref Des
1	SA-000005-01	A	ENCLOSURE ASSEMBLY, , WL212-sw, BLACK	1	16-OCT-2006	1.00	200		
2	CH-000650-00	A	SPACER, RIGGING CHANNEL, , WL3082,	2	25-JAN-2007	12.00	200		
3	CH-000651-01	A2	RIGGING CHANNEL, FRONT, , WL212-sw, BLACK	3	16-OCT-2006	2.00	200		
4	CH-000652-01	A2	RIGGING CHANNEL, REAR, , WL212-sw, BLACK	4	16-OCT-2006	2.00	200		
5	HW-000128-00	B	PIN, RIGGING, SKY-PIN, M8X14, LANYARD 7.5", ,	7	02-NOV-2006	8.00	200		
6	LB-000675-00	A	LABEL, INPUT, , WL212-sw,	8	22-JAN-2007	1.00	200		
7	MS-000403-00	A	FOOT, PLASTIC, WL212-sw, ,	9	16-OCT-2006	4.00	200		
8	MS-000420-00	A	INSULATION DAMPING, WL2102, , ,	10	18-DEC-2006	1.00	200		
9	MS-000421-00	A	INSULATION DAMPING, WL2102, , ,	11	18-DEC-2006	1.00	200		
10	MS-000423-00	A	INSULATION DAMPING, WL2102-sw, , ,	12	21-DEC-2006	1.00	200		
11	PA-000130-00	A	ASSEMBLY, INPUT, WL212-sw, ,	13	16-OCT-2006	1.00	200		
12	SC-000147-00	A	SCR, FLTHD, TORX, M5-0.8X30, , STL, BLK, ZINC W/6219 LUBE,	14	21-DEC-2006	23.00	200		
13	SC-000148-00	A	SCR, BTNHD, TORX, M5X30, , STL, BLK, ZINC W/6219 LUBE,	15	21-DEC-2006	12.00	200		
14	SC-000151-00	A	SCR, BTNHD, TORX, M5X40, , STL, BLK, ZINC W/6219 LUBE,	16	16-OCT-2006	16.00	200		
15	SC-000152-20	A1	SCR, BTNHD, TORX, M5-0.8X20 STL CLASS 10.9, , BLK PHOS W/6219 LUBE,	17	21-DEC-2006	4.00	200		
16	SC-000157-20	A	SCR, FLH, TORX, M5, .8X20, STL, BLK, PHOS W/6219 LUBE,	18	21-DEC-2006	10.00	200		
17	SC-000171-00	A	SCR, ROUND HEAD, WOOD, #4 X .50, , STL, ZINC, CLR,	20	21-FEB-2007	1.00	200		
18	SP-000116-00	A1	WOOFER, 12", , , EMINENCE, 06-12-093,	21	16-OCT-2006	2.00	200		
19	TP-021200-01	1	LOUDSPEAKER SYSTEM, TEST SPECIFICATION, WL212-sw,	22	18-JAN-2007	0.00	1		
20	RD-000158-00	L	LABEL, SERIAL NUMBER, SPEAKER, 1.7" X .45" IN-HOUSE	23	23-OCT-2006	0.00	200		

Current BOM
as of 06-APR-07 08.25.34 AM

Assembly Item Number: WP-021200-02	Assembly Description: SPEAKER ASSY,,WL212-sw,,WHITE	Assembly Revision: B	Assy Rev Date: 06-APR-07	Org: COSTA MESA
------------------------------------	---	----------------------	--------------------------	-----------------

	Part Number	Rev	Description	Item No.	Eff Date	Qty	Op Sequence	Comments	Ref Des
1	SA-000005-02	A	SPEAKER ENCLOSURE, , WL212-sw, WHITE	1	21-FEB-2007	1.00	200		
2	CH-000650-00	A	SPACER, RIGGING CHANNEL, , WL3082,	2	21-FEB-2007	12.00	200		
3	CH-000651-02	A2	RIGGING CHANNEL, FRONT, , WL212-sw, WHITE	3	21-FEB-2007	2.00	200		
4	CH-000652-02	A2	RIGGING CHANNEL, REAR, , WL212-sw, WHITE	4	21-FEB-2007	2.00	200		
5	HW-000128-00	B	PIN, RIGGING, SKY-PIN, M8X14, LANYARD 7.5", ,	7	21-FEB-2007	8.00	200		
6	LB-000675-00	A	LABEL, INPUT, , WL212-sw,	8	21-FEB-2007	1.00	200		
7	MS-000403-00	A	FOOT, PLASTIC, WL212-sw, ,	9	21-FEB-2007	4.00	200		
8	MS-000420-00	A	INSULATION DAMPING, WL2102, , ,	10	21-FEB-2007	1.00	200		
9	MS-000421-00	A	INSULATION DAMPING, WL2102, , ,	11	21-FEB-2007	1.00	200		
10	MS-000423-00	A	INSULATION DAMPING, WL2102-sw, , ,	12	21-FEB-2007	1.00	200		
11	PA-000130-00	A	ASSEMBLY, INPUT, WL212-sw, ,	13	21-FEB-2007	1.00	200		
12	SC-000163-30	A	SCR, FLTHD, TORX, M5, 0.8 X 30, BLK, STL, WHITE, CR111,	14	21-FEB-2007	23.00	200		
13	SC-000167-30	A	SCR, BTNHD, TORX, M5X30, , BLK STL, WHITE, CR111,	15	22-FEB-2007	12.00	200		
14	SC-000151-00	A	SCR, BTNHD, TORX, M5X40, , STL. BLK, ZINC W/6219 LUBE,	16	21-FEB-2007	16.00	200		
15	SC-000152-20	A1	SCR, BTNHD, TORX, M5-0.8X20 STL CLASS 10.9, , BLK PHOS W/6219 LUBE,	17	21-FEB-2007	4.00	200		
16	SC-000157-20	A	SCR, FLH, TORX, M5, .8X20, STL, BLK, PHOS W/6219 LUBE,	18	21-FEB-2007	10.00	200		
17	SC-000171-00	A	SCR, ROUND HEAD, WOOD, #4 X .50, , STL, ZINC, CLR,	20	21-FEB-2007	1.00	200		
18	SP-000116-00	A1	WOOFER, 12", , , EMINENCE, 06-12-093,	21	21-FEB-2007	2.00	200		
19	TP-021200-01	1	LOUDSPEAKER SYSTEM, TEST SPECIFICATION, WL212-sw,	22	21-FEB-2007	0.00	1		
20	RD-000158-00	L	LABEL, SERIAL NUMBER, SPEAKER, 1.7" X .45" IN-HOUSE	23	21-FEB-2007	0.00	200		