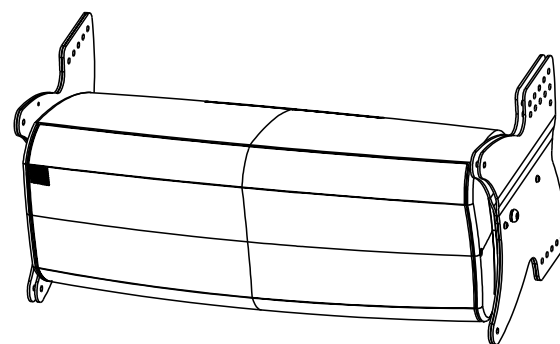
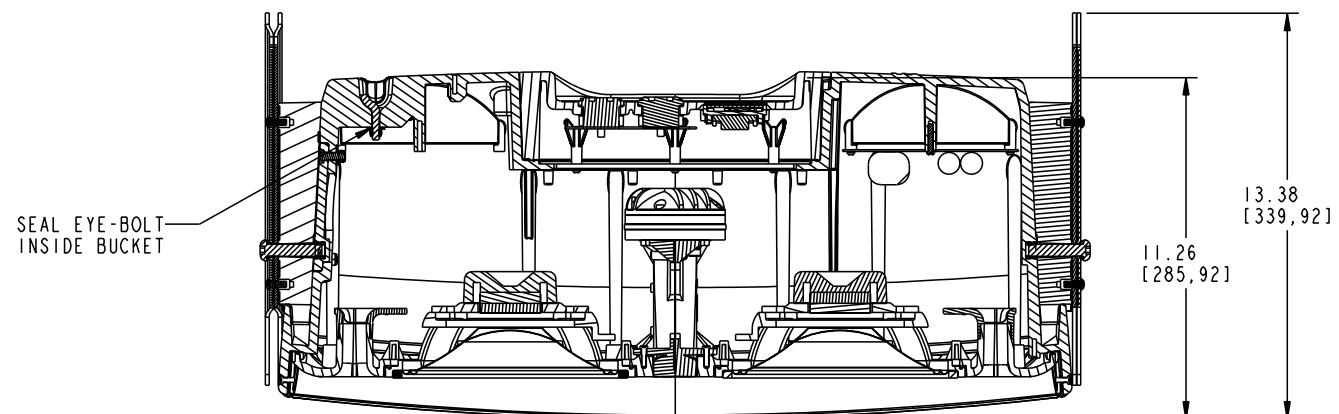


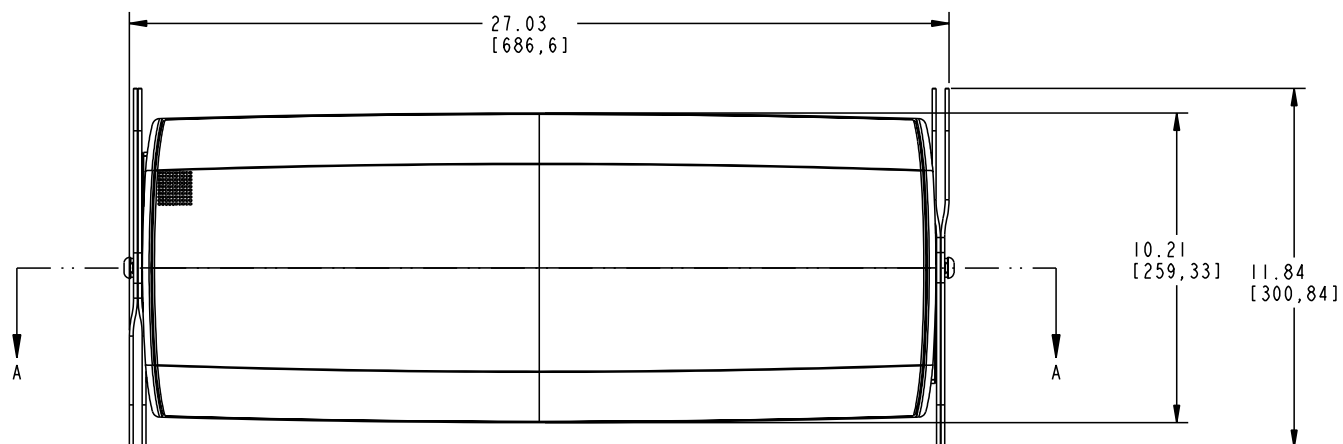
THIS DOCUMENT CONTAINS PROPRIETARY INFORMATION WHICH IS THE PROPERTY OF QSC AUDIO PRODUCTS, THAT MAY NOT BE DISCLOSED, REPRODUCED OR USED WITHOUT EXPRESS WRITTEN CONSENT FROM QSC AUDIO PRODUCTS.

REVISIONS				
REV	DESCRIPTION	EFF DATE	CHK	APPROVED DATE
A	PROD. RELEASE PER ECO 6997 MP	2-03-06	SE	AA



SCALE 0.200

SECTION A-A



8. THIS PART MUST BE RoHS COMPLIANT PER QSC RD-000160-00.
VENDOR TO PROVIDE A CERTIFICATION OF RoHS COMPLIANCE WITH EACH PACKAGE SHIPPED.
7. ATTACH THE GLUE (3M4550) TO ENCLOSURE, PROCEED TO LAY THE FIBERGLASS OVER THE GLUE FOLLOWING THE CONTOUR OF ENCLOSURE BEND, PAT FIBERGLASS DOWN TO ADHERE TO THE ENCLOSURE.
6. ATTACH THE GLUE (3M4550) TO ENCLOSURE, PROCEED TO LAY THE FIBERGLASS OVER THE GLUE FOLLOWING THE CONTOUR OF ENCLOSURE BEND, MAKE SURE TO KEEP THE FIBERGLASS OFF THE RESISTORS, PAT FIBERGLASS DOWN TO ADHERE TO THE ENCLOSURE.
5. MAXIMUM ALLOWABLE SINKS/BULDGES: 0.003 INCH
4. MAXIMUM ALLOWABLE GAP BETWEEN GRILLE AND BUCKET: 0.02 INCH
3. TEXTURE AND FINISH: PER COSMETIC SPEC RD-000122-00.
2. COLORS: BLACK PER RD-000120-00, WHITE PER RD-000121-00
1. REFERENCE QSC DRIVER SPECIFICATION, WOOFER: SP-000072-00 AND TWEETER: SP-000103-00 FOR PERFORMANCE CHARACTERISTICS.

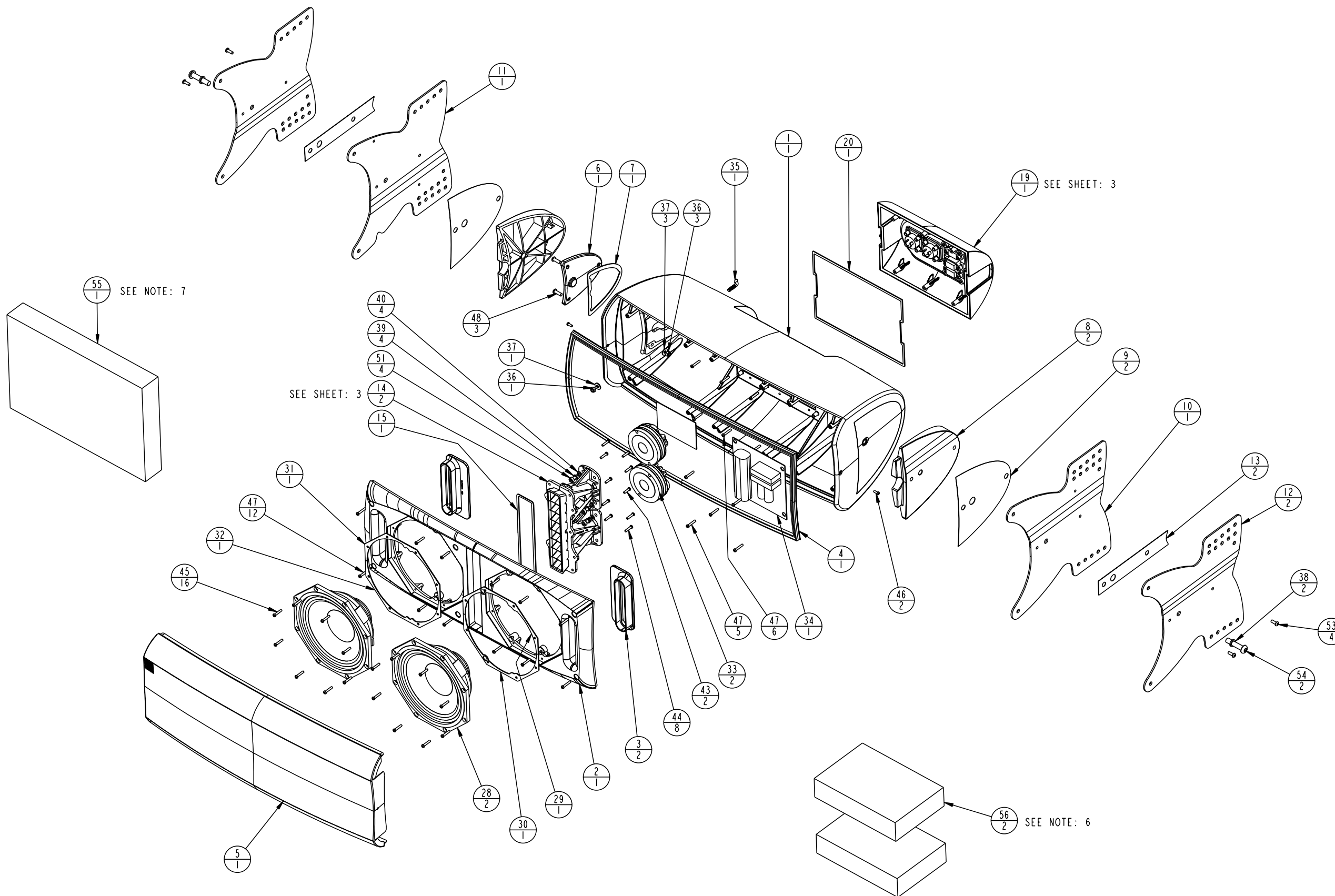
NOTE: UNLESS OTHERWISE SPECIFIED

DASH NO.	COLOR
-01	BLACK
-02	WHITE

UNLESS OTHERWISE SPECIFIED DIMENSIONS ARE IN INCHES. TOLERANCES ARE: DECIMALS DECIMALS ANGLES .XX ±.02 .XXX ±.010 ±1/2 DEBURR EDGES .010 R MAX	CONTRACT NO.		QSC AUDIO PRODUCTS, INC. 1675 MACARTHUR BOULEVARD COSTA MESA, CA 92626	
	APPROVALS	DATE	SPK ASSY, WL2082-i	
	DRAWN C. IVERSON	03-Feb-06		
	CHECKED P. WRIGHT	1-19-06		
MATERIAL NONE	MFG ENG R. BALTHAZAR	1-23-06	SIZE D	CAGE CODE 00PW4
FINISH NONE	ISSUED D. DELARM	2-03-06	DWG NO. WP-002082-XX	REV A
DO NOT SCALE DRAWING	MODEL INFO WP-002082-XX.main.6.2	SCALE 0.330	DRAWING INFO WP-002082-XX.A.0*	SHEET 1 of 3

DWG NO. WP-002082-XX
SHEET 1
REV A

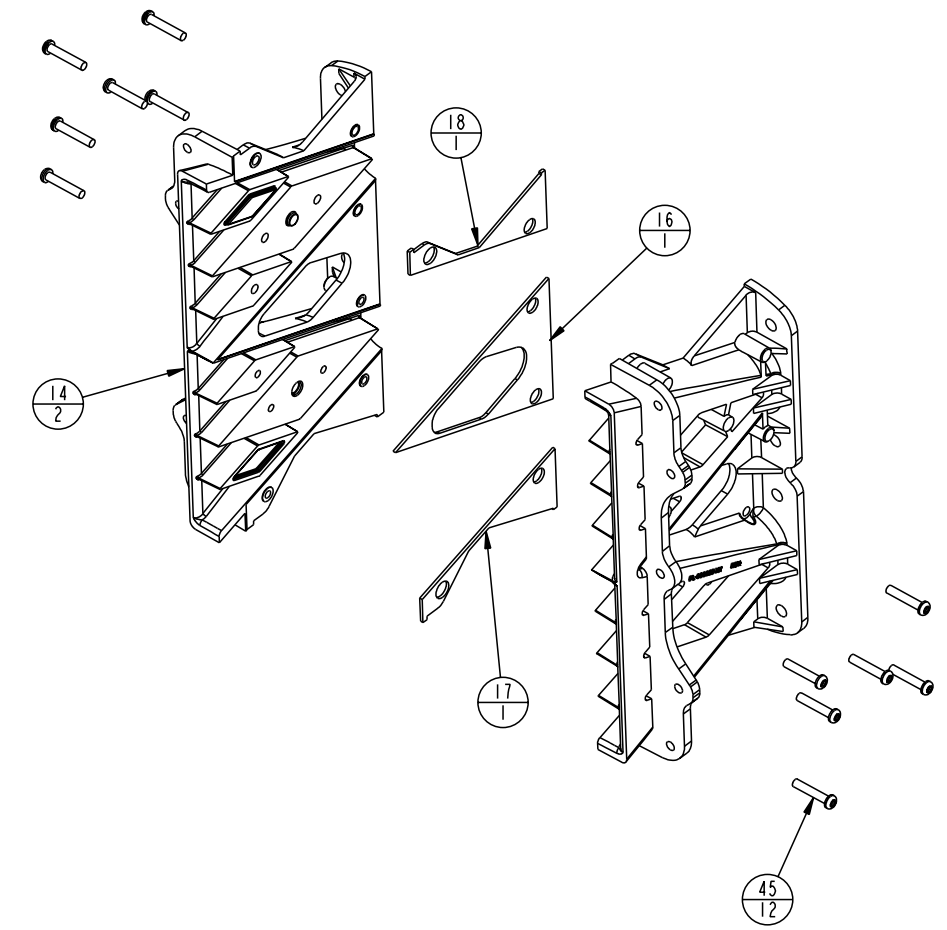
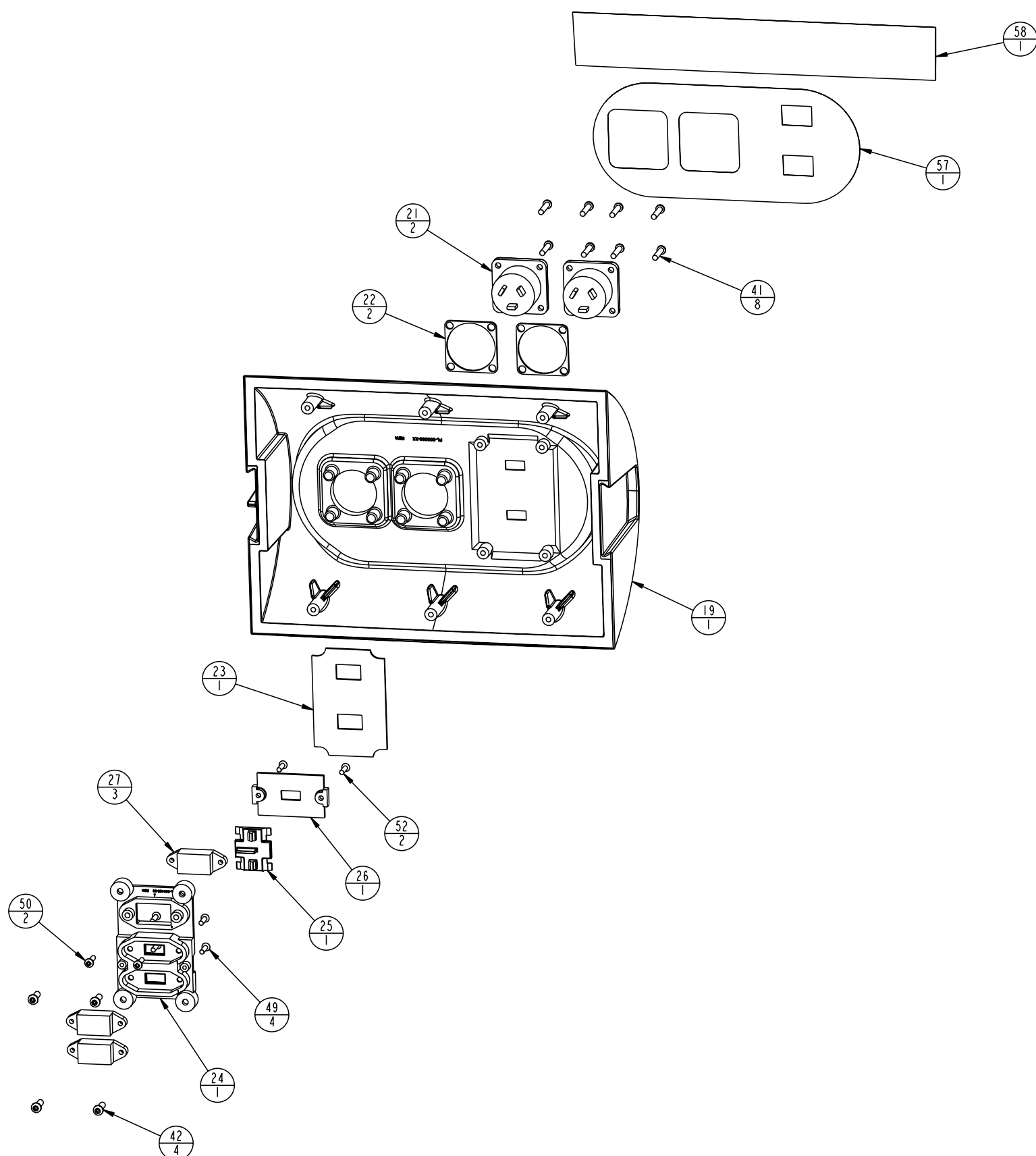
THIS DOCUMENT CONTAINS PROPRIETARY INFORMATION WHICH IS THE PROPERTY OF OSC AUDIO PRODUCTS, THAT MAY NOT BE DISCLOSED, REPRODUCED OR USED WITHOUT EXPRESS WRITTEN CONSENT FROM OSC AUDIO PRODUCTS.



SIZE	CAGE CODE	DWG NO.	REV
D	00PW4	WP-002082-XX	A
SCALE 0.250	DRAWING INFO WP-002082-XX.A.0+		SHEET 2 of 3

DWG NO. WP-002082-XX
SHEET 2
REV A

THIS DOCUMENT CONTAINS PROPRIETARY INFORMATION WHICH IS THE PROPERTY OF OSC AUDIO PRODUCTS. THAT MAY NOT BE DISCLOSED, REPRODUCED OR USED WITHOUT EXPRESS WRITTEN CONSENT FROM OSC AUDIO PRODUCTS.



SIZE	CAGE CODE	DWG NO.	REV
D	00PW4	WP-002082-XX	A
SCALE 0.600	DRAWING INFO WP-002082-XX.A.0*		SHEET 3 of 3

DWG NO. WP-002082-XX
SHEET 3
REV A

Current BOM
as of 19-JAN-07 08.09.19 AM

Assembly Item Number: WP-002082-01	Assembly Description: SPEAKER ASSY,,ISIS WL2082-i,,BLACK	Assembly Revision: A	Assy Rev Date: 06-FEB-06	Org: COSTA MESA
------------------------------------	--	----------------------	--------------------------	-----------------

	Part Number	Rev	Description	Item No.	Eff Date	Qty	Op Sequence	Comments	Ref Des
1	SB-000029-01	A	BUCKET, , AD-S282, , BLACK,	1	21-DEC-2005	1.00	1		
2	SB-000040-00	A1	BAFFLE, , WL2082-i, , ,	2	21-DEC-2005	1.00	1		
3	PL-000398-00	A	PORT FLARE ADAPTOR, WL2082-i, , , ,	3	21-DEC-2005	2.00	1		
4	PL-000344-00	A	GASKET, BAFFLE, AD-S282, , ,	4	21-DEC-2005	1.00	1		
5	CH-000437-01	A	GRILLE, BLACK, , WL2082-i,	5	21-DEC-2005	1.00	1		
6	PL-000341-01	A	POLE CUP COVER, AD-S282, , , BLACK,	6	21-DEC-2005	1.00	1		
7	PL-000360-00	A	GASKET, POLE CUP/COVER, , , ,	7	21-DEC-2005	1.00	1		
8	PL-000397-01	A	RIGGING SPACER, WL2082-i, , , BLACK,	8	21-DEC-2005	2.00	1		
9	PL-000430-00	A	GASKET, RIGGING SPACER, WL2082-i, , ,	9	21-DEC-2005	2.00	1		
10	CH-000469-01	A	PLATE, RIGGING, INNER, WL2082-i, BLACK	10	21-DEC-2005	1.00	1		
11	CH-000471-01	A	PLATE, RIGGING, INNER W/NOTCH, WL2082-i, BLACK	11	21-DEC-2005	1.00	1		
12	CH-000468-01	A	PLATE, RIGGING, OUTER, WL2082-i, BLACK	12	21-DEC-2005	2.00	1		
13	PL-000432-00	A	GASKET, RIGGING PLATE, WL2082-i, , ,	13	21-DEC-2005	2.00	1		
14	SP-000095-00	A	WAVEGUIDE, , , , , WL2082-i	14	21-DEC-2005	2.00	1		
15	PL-000426-00	A	GASKET, WAVEGUIDE, , , ,	15	21-DEC-2005	1.00	1		
16	PL-000427-00	A	GASKET, WAVEGUIDE, MIDDLE, , ,	16	21-DEC-2005	1.00	1		
17	PL-000428-00	A	GASKET, WAVEGUIDE, RIGHT, , , ,	17	21-DEC-2005	1.00	1		
18	PL-000429-00	A	GASKET, WAVEGUIDE, LEFT, , , ,	18	21-DEC-2005	1.00	1		
19	PL-000399-01	A	BACK COVER, WL2082-i, , , BLACK,	19	21-DEC-2005	1.00	1		
20	PL-000241-00	A	GASKET, DOCKING PLATE, PERIMETER, POLYETHYLENE, BLACK,	20	21-DEC-2005	1.00	1		
21	CO-000339-00	A	CONN, NL8MPR, , , , WL2082-i	21	21-DEC-2005	2.00	1		
22	PL-000433-00	A	GASKET, NL8, , , ,	22	21-DEC-2005	2.00	1		
23	PL-000431-00	A	GASKET, INPUT SWITCH, , , , WL2082-i	23	21-DEC-2005	1.00	1		
24	PL-000425-00	A	SWITCH, ADAPTER PLATE, , , , WL2082-i	24	21-DEC-2005	1.00	1		
25	PL-000424-00	A	SWITCH, SLIDER COVER, , , , WL2082-i	25	21-DEC-2005	1.00	1		
26	PL-000423-00	A	SWITCH, SLIDER COVER, , , , WL2082-i	26	21-DEC-2005	1.00	1		
27	SW-000116-00	A	SWITCH, INPUT ASSY, WL2082-i,	27	21-DEC-2005	3.00	1		
28	SP-000072-00	C1	WOOFER, 8", 8/056-16 TWP, , B&C,	28	21-DEC-2005	2.00	1		
29	SP-000103-00	A	COMPRESSION DRIVER, 1", CLA SERIES, TITANIUM, NEO, B&C DE400-TN8	29	21-DEC-2005	2.00	1		
30	WP-000021-00	A	CROSSOVER NETWORK, , WL2082-i, ,	30	21-DEC-2005	1.00	1		
31	NW-250520-04	A	SRV - WASHER, M6, SS	31	21-DEC-2005	4.00	1		
32	NW-000024-00	A	LOCKNUT, M6, SS, W/NYLON,	32	21-DEC-2005	4.00	1		
33	SC-000002-12	A	PHILLIPS, PANHEAD, M4 X 1.4, 12 L, ,	33	21-DEC-2005	4.00	1		
34	SC-000002-18	A	PHILLIPS, PANHEAD, M4 X 1.4, 18 L, ,	34	21-DEC-2005	10.00	1		
35	SC-000002-21	A	PHILLIPS, PANHEAD, M4 X 1.4, 21 L, ,	35	21-DEC-2005	28.00	1		
36	SC-000000-18	A	PHILLIPS, PANHEAD, M3.5 X 1.25, 15 L, ,	36	21-DEC-2005	8.00	1		
37	SC-000072-14	A	SCREW, BUTTON HEAD SOCKET, M5 X 0.8, 14 L, ,	37	21-DEC-2005	4.00	1		
38	SC-000011-10	A	PHILLIPS, PANHEAD, M4.5 X 1.4, 10 L, ,	38	21-DEC-2005	2.00	1		
39	SC-000011-23	A	PHILLIPS, PANHEAD, M4 X 1.4, 23 L, BLACK,	39	21-DEC-2005	23.00	1		
40	SC-000048-18	A	SCREW, SOCKET BUTTON HEAD, M6 X 1 X 23MM, , ,	40	21-DEC-2005	3.00	1		
41	HW-000100-00	A	MODIFIED EYE-BOLT, 6MM, , , SS,	41	21-DEC-2005	1.00	1		
42	SC-000067-12	A	PHILLIPS, FLATHEAD, M3 X 0.5, 12 L, ,	42	21-DEC-2005	4.00	1		
43	SC-000068-12	A	PHILLIPS, PAN HEAD, M3 X 0.5, 12 L, ,	43	21-DEC-2005	2.00	1		

Current BOM
as of 19-JAN-07 08.09.20 AM

Assembly Item Number: WP-002082-01	Assembly Description: SPEAKER ASSY,,ISIS WL2082-i,,BLACK	Assembly Revision: A	Assy Rev Date: 06-FEB-06	Org: COSTA MESA
------------------------------------	--	----------------------	--------------------------	-----------------

	Part Number	Rev	Description	Item No.	Eff Date	Qty	Op Sequence	Comments	Ref Des
44	SC-000069-46	A	SCREW, BUTTON HEAD SOCKET, M10 X 1.0, 46 L, ,	44	21-DEC-2005	2.00	1		
45	MS-000264-00	A	FIBERGLASS, MICOLITE, 15 X 10 X 2, ,	45	21-DEC-2005	1.00	1		
46	MS-000265-00	A	FIBERGLASS, MICROLITE, 9 X 6 X 2, ,	46	21-DEC-2005	2.00	1		
47	PL-000481-00	A	GASKET, DRIVER, R/B, , , WL2082-i	47	21-DEC-2005	1.00	1		
48	PL-000482-00	A	GASKET, DRIVER, R/T, , , WL2082-i	48	21-DEC-2005	1.00	1		
49	PL-000483-00	A	GASKET, DRIVER, L/T, , , WL2082-i	49	21-DEC-2005	1.00	1		
50	PL-000484-00	A	GASKET, DRIVER, 1/8, , , WL2082-i	50	21-DEC-2005	1.00	1		
51	LB-000543-00	B	LABEL, PRODUCT, , WL2082-i,	51	21-DEC-2005	1.00	1		
52	LB-000565-00	C	LABEL, WARNING, , WL2082-i,	52	21-DEC-2005	1.00	1		
53	NW-000073-00	A	WASHER, SPLIT-LOCK, 6.4 ID X 10.4 OD X 1.4 THK, ,	53	21-DEC-2005	4.00	1		
54	NW-000074-00	A	WASHER, 6.4 ID X 11.5 OD X 1.5 THK, , ,	54	21-DEC-2005	4.00	1		
55	NW-000051-00	A	WASHER, SPLIT-LOCK, M10, 2.4 THK, CRES	55	21-DEC-2005	2.00	1		
56	SC-000108-00	A	SCREW, SOCKET CAP HEAD, M6 X 1 X 14MM, , ,	56	21-DEC-2005	4.00	1		
57	SC-000109-12	A	PHILLIPS, FLATHEAD, M3X0.5, 12L, , SELF DRILLING	57	21-DEC-2005	2.00	1		