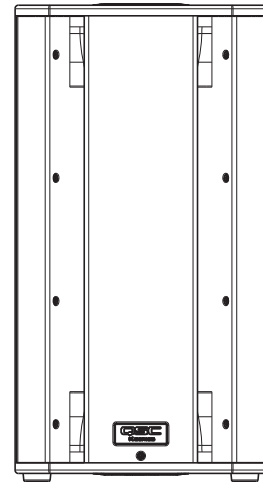
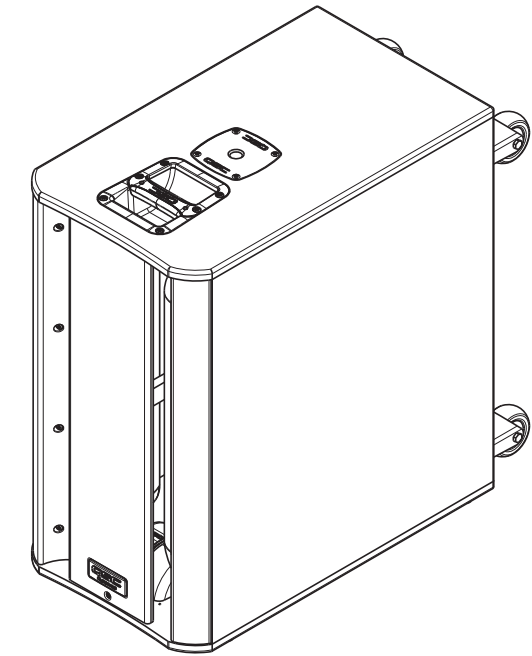
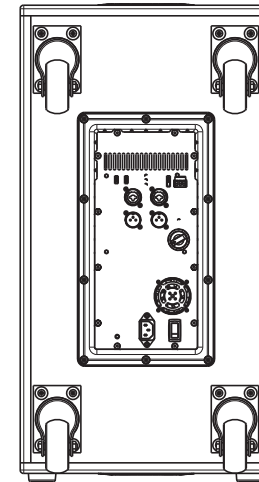
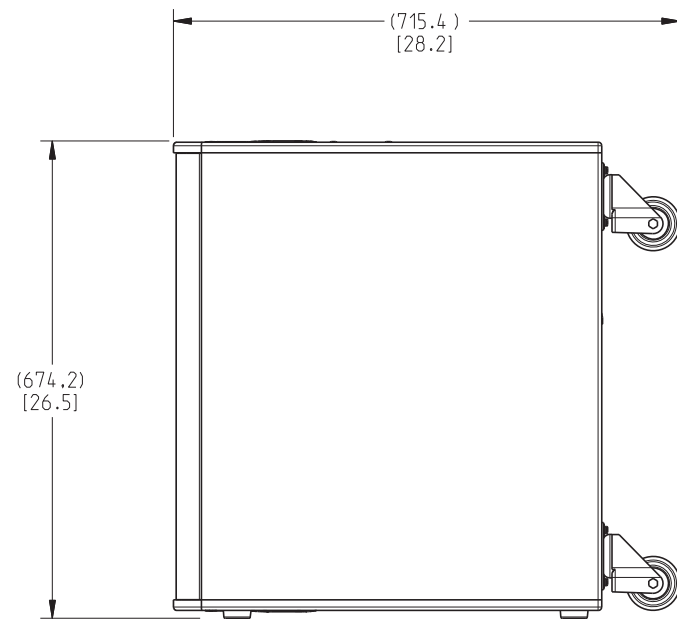
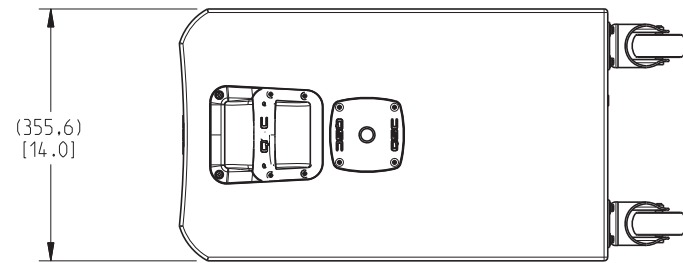


THIS DOCUMENT CONTAINS PROPRIETARY INFORMATION WHICH IS THE PROPERTY OF QSC AUDIO PRODUCTS. THAT MAY NOT BE DISCLOSED, REPRODUCED OR USED WITHOUT EXPRESS WRITTEN CONSENT FROM QSC AUDIO PRODUCTS.

REVISIONS				
REV	DESCRIPTION	EFF DATE	CHK	APVD
A	PRODUCTION RELEASE W/O CHANGE PER ECO 9317 JD	6-30-09	CD	DD



- 4. ENCLOSURE TO BE FULLY SEALED DURING ASSEMBLY, SUCH THAT THE ONLY AIR FLOW SHALL BE THROUGH PORTS.
- 3. THIS PART MUST BE ROHS COMPLIANT PER QSC RD-000160-00. SUPPLIER TO PROVIDE A CERTIFICATE OF ROHS COMPLIANCE.

2 FINISH: NONE

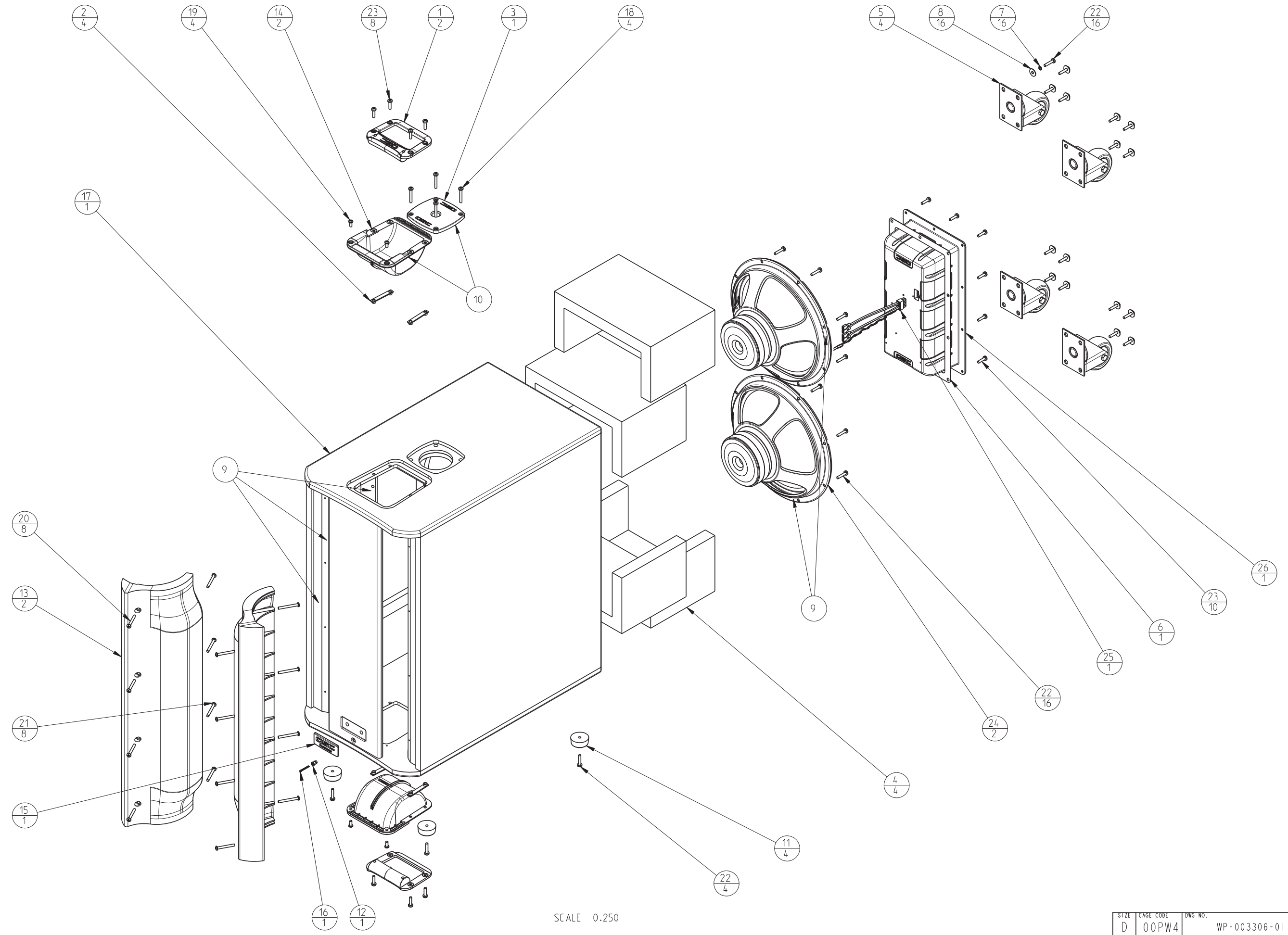
1 MATERIAL: NONE

NOTE: UNLESS OTHERWISE SPECIFIED

UNLESS OTHERWISE SPECIFIED DIMENSIONS ARE IN INCHES.		CONTRACT NO.		QSC AUDIO PRODUCTS, LLC 1675 MACARTHUR BOULEVARD COSTA MESA, CA 92626	
TOLERANCES ARE:		APPROVALS		DATE	
DECIMALS	DECIMALS	DRAWN		29-Jun-09	
.XX ± .02	.XXX ± .010	S. TAMASI			
ANGLES ± 1/2		CHECKED		6-24-09	
DEBURR EDGES .010 R MAX		S. FELTS			
MATERIAL	1	MFG ENG		6-24-09	
FINISH	2	D. GALVAN			
DO NOT SCALE DRAWING		ISSUED		6-29-09	
MODEL INFO		D. DELARM			
WP-003306-01.main.A.0		SIZE	CAGE CODE	DWG NO.	REV
SCALE 0.188		D	00PW4	WP-003306-01	A
DRAWING INFO		SHEET 1 of 2			

DWG NO: WP-003306-01

THIS DOCUMENT CONTAINS PROPRIETARY INFORMATION WHICH IS THE PROPERTY OF OSC AUDIO PRODUCTS. THAT MAY NOT BE DISCLOSED, REPRODUCED OR USED WITHOUT EXPRESS WRITTEN CONSENT FROM OSC AUDIO PRODUCTS.



SIZE	CAGE CODE	DWG. NO.	REV.
D	00PW4	WP-003306-01	A
SCALE 0.188	DRAWING INFO		SHEET 2 of 2

DWG. NO. WP-003306-01  
REV. A

Item Number	Component Description	Component Number	Qty
1	HANDLE, , BLK, SPEAKERS,	CH-000850-01	2
2	PLATE, HANDLE BACKING, , K-SERIES,	CH-000870-00	4
3	POLE MOUNT, THREADED, M20, KSUB,	CH-000889-00	1
4	ACOUSTIC WOOL, 200X600X30, , ,	MS-000074-GP	4
5	CASTER, SWIVEL, 3 INCH, ,	MS-000259-GP	4
6	GASKET, OUTER, BUCKET, BOP-2CH,	MS-000486-00	1
7	WSHR, SPLKG, M5, , , , , STL, CLR, ZINC CR3,	NW-000171-00	16
8	WSHR, FLT, M5, , , 18 OD, , STL, CLR, ZINC CR3,	NW-000172-00	16
9	GASKET, 1000X10X2MM, EVA B, , ,	PL-000062-GP	10
10	EVA GASKET, 5X500, , , ,	PL-000066-GP	3
11	FEET, HPR SUBS, , RUBBER, ,	PL-000445-GP	4
12	LED HOLDER, FOR HPR, , , , ,	PL-000479-GP	1
13	BAFFLE SIDE/PORT, KSUB, , , ,	PL-000638-01	2
14	HANDLE BACK CUP, KSUB, , , ,	PL-000640-01	2
15	LOGO, K12, , , BLK,	PL-000659-01	1
16	LED, 3MM, BLUE SP, SLR343BB T 225419 ROHM, , ,	QD-000312-GP	1
17	ENCLOSURE, , KSUB, , ,	SB-000089-01	1
18	SCR, PHH, PNH, , , , M5, 35 L, STL, BLK, ZINC CR3,	SC-000097-GP	4
19	SCR, PHH, PNH, WOOD, , , , M5, 12 L, STL, BLK, ZINC CR3,	SC-000252-00	4
20	SCR, PHH, PNH, WOOD, , , , M5, 40 L, STL, BLK, ZINC CR3,	SC-000253-00	8
21	SCR, PHH, PNH, TPG, PLASTITE, , , , M5, 45 L, STL, BLK, ZINC CR3,	SC-000256-00	8
22	SCR, PHH, PNH, MACH, , , , M5, 25 L, CLASS 4.6, BLK, ZINC, CR3	SC-000283-00	36
23	SCR, PHH, PHN, MACH, , , , M5, 20 L, STL CLASS 4.6, BLK, ZINC CR3,	SC-000288-00	18
24	WOOFER, 12", PAPER, FERRITE, CELESTION, KSUB	SP-000183-00	2
25	WIRE HARNESS, , , , KSUB, ,	WC-000493-00	1
26	CHASSIS ASSY, MAIN, KSUB, UNIVERSAL SUPPLY,	WP-003310-00	1
26	PCB ASSY,,KSUB,UNIVERSAL SUPPLY, WITH INPUT BOARD	WP-003314-00	1