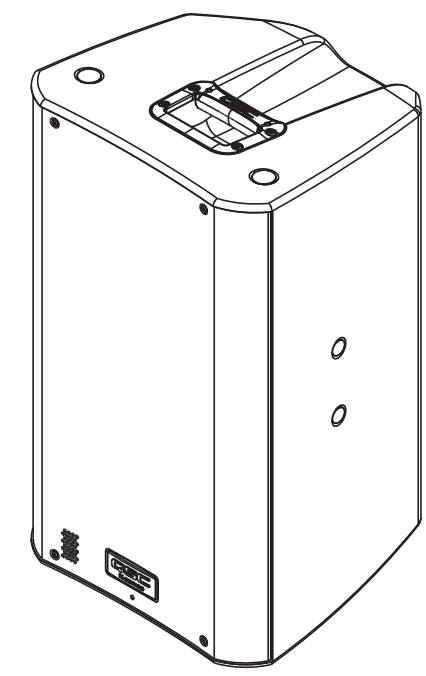
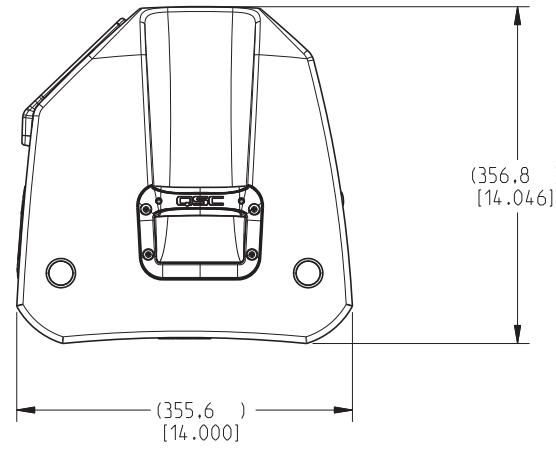
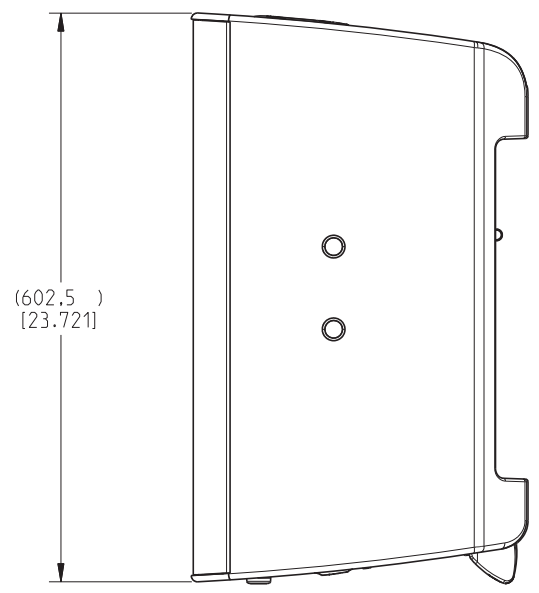
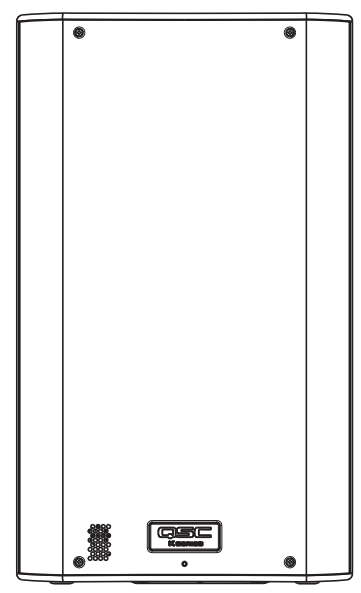


THIS DOCUMENT CONTAINS PROPRIETARY INFORMATION WHICH IS THE PROPERTY OF QSC AUDIO PRODUCTS. THAT MAY NOT BE DISCLOSED, REPRODUCED OR USED WITHOUT EXPRESS WRITTEN CONSENT FROM QSC AUDIO PRODUCTS.

REVISIONS				
REV	DESCRIPTION	EFF DATE	CHK	APVD
A	PRODUCTION RELEASE W/O CHANGE PER ECO 9317 JD	6-30-09	CD	DD



SCALE 0.250



1. THIS PART MUST BE ROHS COMPLIANT PER QSC RD-000160-00. SUPPLIER TO PROVIDE A CERTIFICATION OF ROHS COMPLIANCE.

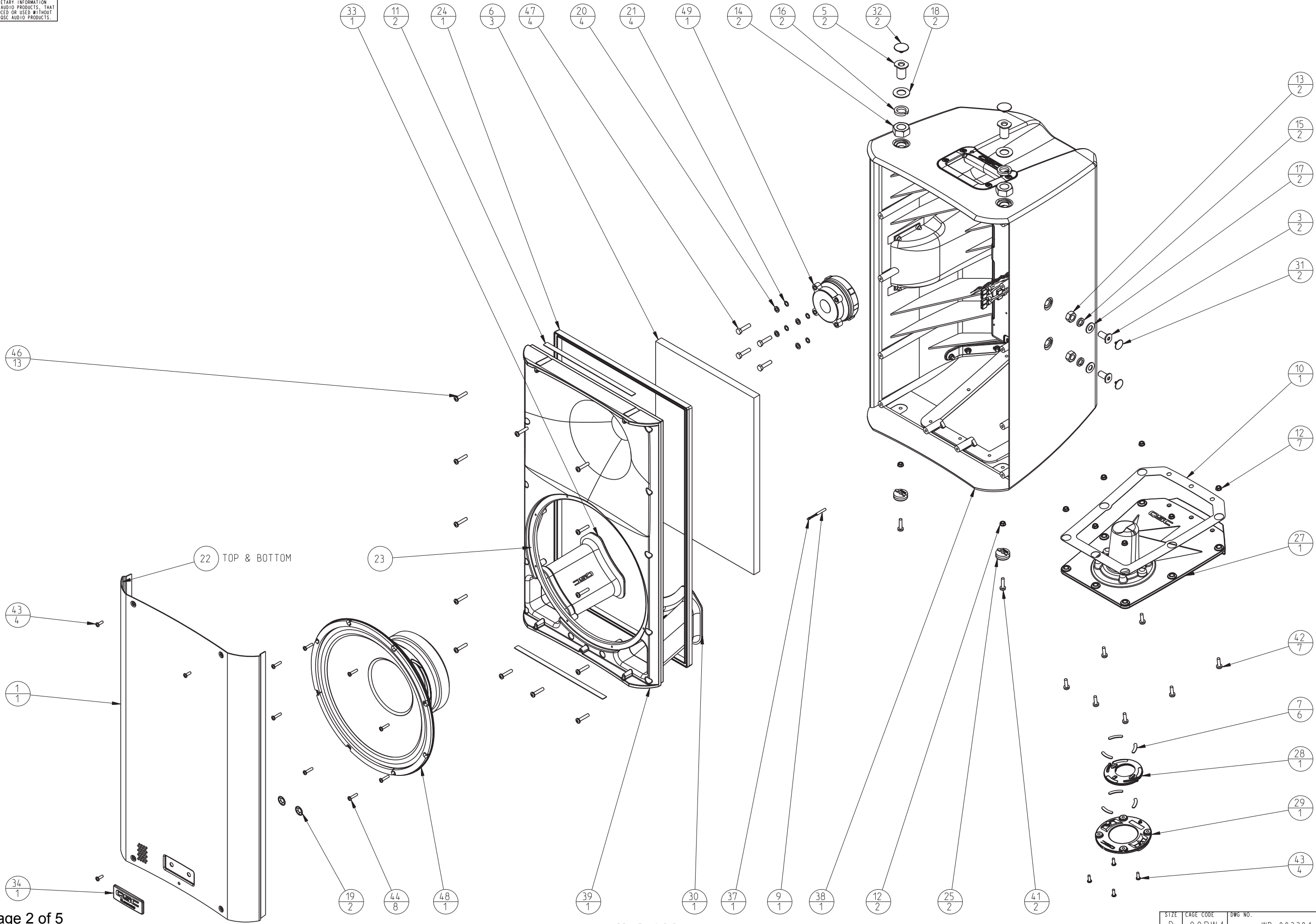
NOTE: UNLESS OTHERWISE SPECIFIED

UNLESS OTHERWISE SPECIFIED DIMENSIONS ARE IN INCHES. TOLERANCES ARE: DECIMALS DECIMALS ANGLES .XX ±.02 .XXX ±.010 ±1/2 DEBURR EDGES .010 R MAX	CONTRACT NO.		QSC AUDIO PRODUCTS, LLC 1675 MACARTHUR BOULEVARD COSTA MESA, CA 92626	
	APPROVALS			
	DRAWN	J. DELARM	30-Jun-09	SPEAKER ASSY, K12
	CHECKED	S. FELTS	6-15-09	
MATERIAL	NONE	MFG ENG	D. GALVAN	6-15-09
FINISH	NONE	ISSUED	D. DELARM	6-29-09
DO NOT SCALE DRAWING	MODEL INFO		WP-003304-01.main.A.0	SCALE 0.250
DRAWING INFO			WP-003304-01.A.0	SHEET 1 of 3

DWG NO: WP-003304-01

REV A

THIS DOCUMENT CONTAINS PROPRIETARY INFORMATION WHICH IS THE PROPERTY OF OSC AUDIO PRODUCTS. THAT MAY NOT BE DISCLOSED, REPRODUCED OR USED WITHOUT EXPRESS WRITTEN CONSENT FROM OSC AUDIO PRODUCTS.



SCALE 0.313

SIZE	CAGE CODE	DWG. NO.	REV
D	00PW4	WP-003304-01	A
SCALE	DRAWING INFO		SHEET
0.250	WP-003304-01.A.0		2 of 3

DWG. NO. WP-003304-01  
 SHEET 2  
 REV. A



Item Number	Component Description	Component Number	Qty
1	GRILLE, , BLK, K12,	CH-000849-01	1
1,19,34	K12 GRILLE ASSEMBLY KIT	SG-000565-TS	1
2	HANDLE, , BLK, SPEAKERS,	CH-000850-01	2
3	THREADED INSERT, M5, , K-SERIES,	CH-000869-01	2
4	PLATE, HANDLE BACKING, , K-SERIES,	CH-000870-00	4
5	THREADED INSERT, M10, , K-SERIES,	CH-000899-01	3
6	ACOUSTIC WOOL, 300*490*30, , ,	MS-000415-GP	3
7	FELT PAD, POLE MOUNT, K-SERIES, ,	MS-000480-00	6
8	GASKET, OUTER, BUCKET, BOP-2CH,	MS-000486-00	1
9	SPACER, LED, , ,	MS-000496-00	1
10	GASKET, POLE CUP, K12, ,	MS-000501-00	1
11	GASKET, PE600MM X 10MM X 1.0MM THK, , ,	MS-000543-00	2
12	NUT, HEX FLG SERR, M5, , STL, CLR, ZINC CR3,	NW-000161-00	20
13	NUT, HEX, M10, , STL, CLR, ZINC CR3,	NW-000162-00	2
14	NUT, HEX, M16, , STL, CLR, ZINC CR3,	NW-000163-00	3
15	WSHR, SPLKG, M10, , , , STL, CLR, ZINC CR3,	NW-000164-00	2
16	WSHR, SPLKG, M16, , , , STL, CLR, ZINC CR3,	NW-000165-00	3
17	WSHR, FLT, M10, , , , STL, CLR, ZINC CR3,	NW-000166-00	2
18	WSHR, FLT, M16, , , , STL, CLR, ZINC CR3,	NW-000167-00	3
19	WSHR, RTNR, M8, , , , STL, CLR, ZINC CR3,	NW-000168-00	2
20	WSHR, SPLKG, M6, , , , STL, CLR, ZINC CR3,	NW-000169-00	4
21	WSHR, FLT, M6, , , , STL, CLR, ZINC CR3,	NW-000170-00	4
22	GASKET, D32XD26.5X1MM, EVA BK, , ,	PL-000061-GP	1
23	GASKET, 1000X10X2MM, EVA B, , ,	PL-000062-GP	1
24	GASKET, BAFFLE/BUCKET, K12, , BLK,	PL-000587-01	1
25	FOOT, ROUND, K10, , BLK,	PL-000593-01	2
26	FOOT, REAR, K12, , BLK,	PL-000599-01	1
27	POLE CUP, DUAL ANGLE, K12, , BLK,	PL-000602-01	1
28	POLE CUP, SELECTOR, ANGLE, K-SERIES, , BLK,	PL-000603-01	1
29	POLE CUP, RETAINER, SELECTOR, K-SERIES, , BLK,	PL-000604-01	1
7,10,27,28,29	K12 POLE CUP ASSEMBLY KIT	SG-000566-TS	1
30	FLARE, PORT, RIGHT, K12, , BLK,	PL-000608-01	1
31	PLUG, RUBBER, 5MM, , BLK,	PL-000620-01	2
32	PLUG, RUBBER, 10MM, , BLK,	PL-000621-01	3
33	FLARE, PORT, LEFT, , BLK, K12	PL-000625-01	1
34	LOGO, K12, , , BLK,	PL-000659-01	1

Item Number	Component Description	Component Number	Qty
35	FOOT, LONG, BTM, K12, , BLK,	PL-000676-01	1
36	FOOT, LONG, TOP, K12, , BLK,	PL-000678-01	1
37	LED, 3MM, BLUE SP, SLR343BB T 225419 ROHM, , ,	QD-000312-GP	1
9,37,50	K12 WIRING HARNESS ASSEMBLY KIT	SG-000567-TS	
39	BAFFLE, , K12, , BLK,	SB-000080-01	1
30,33,39	K12 BAFFLE ASSEMBLY KIT	SG-000564-TS	1
40	SCR, PHH, PNH, , , , M5, 35 L, STL, BLK, ZINC CR3,	SC-000097-GP	3
41	SCR, PHH, PNH, MACH, , , , M5, 20 L, STL CLASS 4.6, BLK, ZINC CR3,	SC-000288-00	18
42	SCR, PHH, PNH, MACH, , , , M5, 17 L, STL, BLK, ZINC CR3,	SC-000300-00	7
43	SCR, PHH, PNH, TPG, PLASTITE, , , , M4, 12 L, STL, BLK, ZINC CR3,	SC-000303-00	8
44	SCR, PHH, PNH, TPG, PLASTITE, , , , M4, 18 L, STL, BLK, ZINC CR3,	SC-000304-00	8
45	SCR, PHH, PNH, TPG, PLASTITE, , , , M5, 20 L, STL, BLK, ZINC CR3,	SC-000305-00	10
46	SCR, PHH, PNH, TPG, PLASTITE, , , , M5, 25 L, STL, BLK, ZINC CR3,	SC-000306-00	13
47	SCR, HEXHD CAP, CAP, , , , M6, 25 L, STL, BLK, ZINC CR3,	SC-000307-00	4
48	WOOFER, 12", PAPER, FERRITE, CELESTION, K12	SP-000182-00	1
49	COMPRESSION DRIVER, 1.75", PETP, NEOD, CELESTION, K-SERIES	SP-000184-00	1
50	WIRE HARNESS, , , , K12, ,	WC-000458-00	1
51	CHASSIS ASSY, MAIN, K12, UNIVERSAL SUPPLY,	WP-003309-00	1
51	PCB ASSY,,K12,UNIVERSAL SUPPLY, WITH INPUT BOARD	WP-003313-00	1