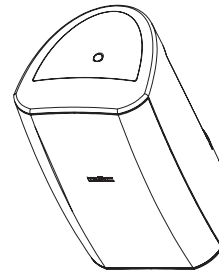
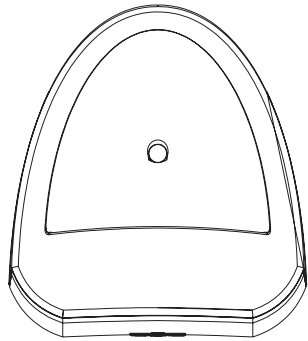
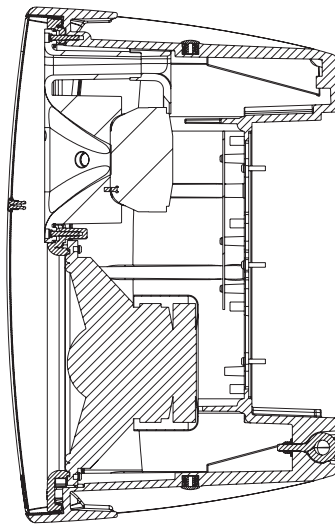
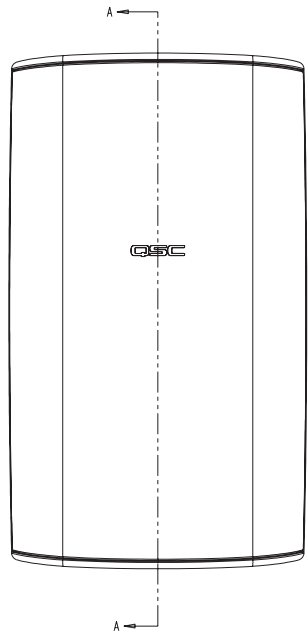


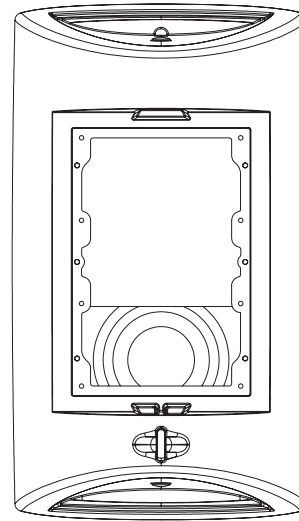
THIS DOCUMENT CONTAINS PROPRIETARY INFORMATION WHICH IS THE PROPERTY OF OSC AUDIO PRODUCTS. THAT MAY NOT BE DISCLOSED, REPRODUCED OR USED WITHOUT EXPRESS WRITTEN CONSENT FROM OSC AUDIO PRODUCTS.



SCALE 0.250



SECTION A-A



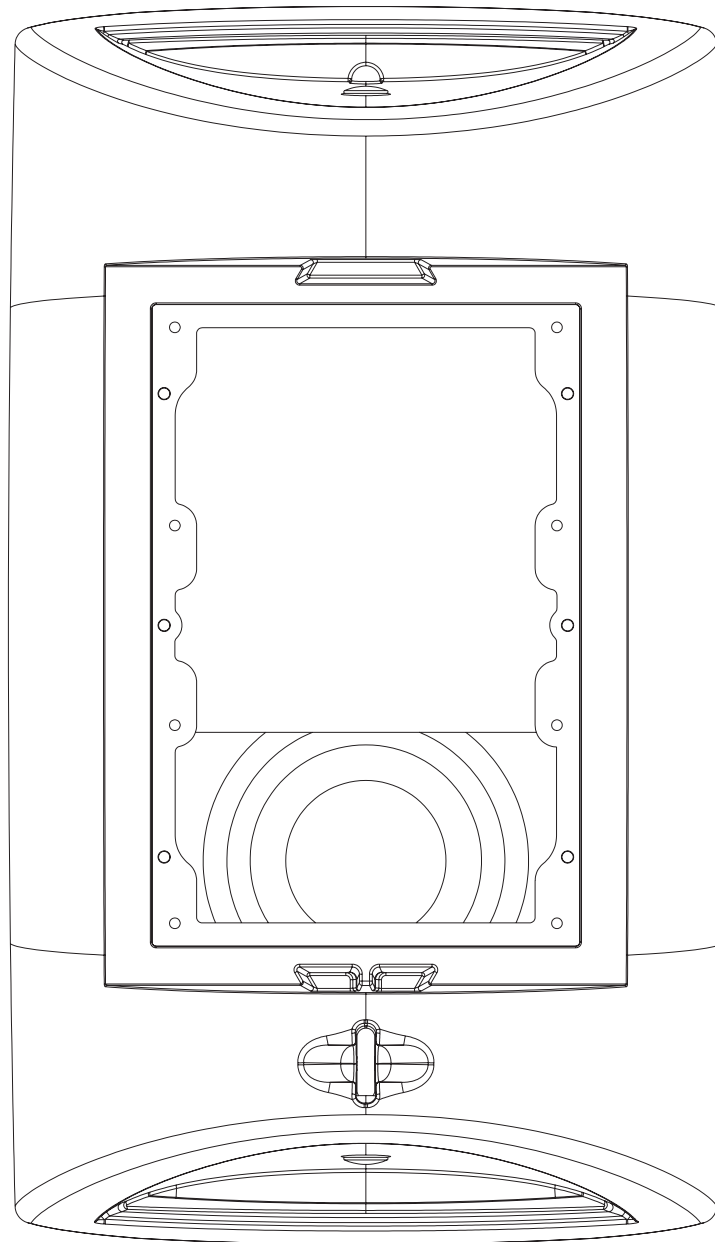
25	WP-000409-00	PCB, CROSSOVER, C3-8, SP-61/67, STD	1
24	SP-000031-00	WAVE-GUIDE, HI OUTPUT, C3-8	1
23	SP-000021-00	COMPRESSION DRIVER, 1", B&C, DE-10	1
22	SP-000008-00	WOOFER, 8 IN, AUDAX	1
21	SC-000011-23	SCREW, PHILLIPS, PANHEAD, M4X1.4, 23 L, BLK	16
20	SC-000004-15	SCREW, PHILLIPS, PANHEAD, M5X0.8, 15 L	2
19	SC-000002-18	SCREW, PHILLIPS, PANHEAD, M4X1.4, 18 L	14
18	SC-000000-12	SCREW, PHILLIPS, PANHEAD, M3.5X1.25, 12 L	6
17	SC-000000-10	SCREW, PHILLIPS, PANHEAD, M3.5X1.25, 10 L	3
16	SB-000004-XX	BAFFLE, C3-8	1
15	SB-000003-XX	BUCKET, AD-S82	1
14	PL-000239-00	GASKET, BAFFLE, NEOPRENE, BLACK	1
13	PL-000238-00	GASKET, WAVE-GUIDE	1
12	PL-000236-XX	PLUG, INSERT, .375	2
11	PL-000216-XX	FLARE, PORT, C3-8	1
10	PL-000213-XX	BADGE, .45 X 1.87	1
9	PL-000212-XX	RECEPTACLE, BADGE	1
8	NW-250520-04	WASHER, M6, SS	1
7	NW-000024-00	LOCKNUT, M6, W/NYLON, SS	1
6	MS-000211-00	FIBERFILL, POLYESTER, 7.1 X 5.9 X 2.0	2
5	MS-000210-00	FIBERFILL, POLYESTER, 13.4 X 9.9 X 2.0	1
4	HW-000060-00	INSERT, M10 X 1, BRASS	2
3	HW-000041-00	EYE BOLT, 6MM, SS	1
2	HW-000040-00	RETAINER, 10, .312	1
1	CH-000215-XX	GRILLE, C3-8	1

ITEM		PART NUMBER	DESCRIPTION	QTY
BILL OF MATERIALS				
UNLESS OTHERWISE SPECIFIED DIMENSIONS ARE IN INCHES:		CONTRACT NO.		
TOLERANCES ARE:		APPROVALS		
DECIMALS	DECIMALS	ANGLES	DATE	
.XX ± .02	.XXX ± .010	±1/2	20-FEB-03	
ROUND EDGES .010 R MAX		CHECKED	MFG ENG	
MATERIAL		ISSUED		
FINISH		SIZE	CAGE CODE	DWG NO.
NONE		D	00PW4	1-82
DO NOT SCALE DRAWING		MODEL INFO	DRAWING INFO	SHEET
1-82.main.1.22		2	1-82.main.1.4	1 of 3

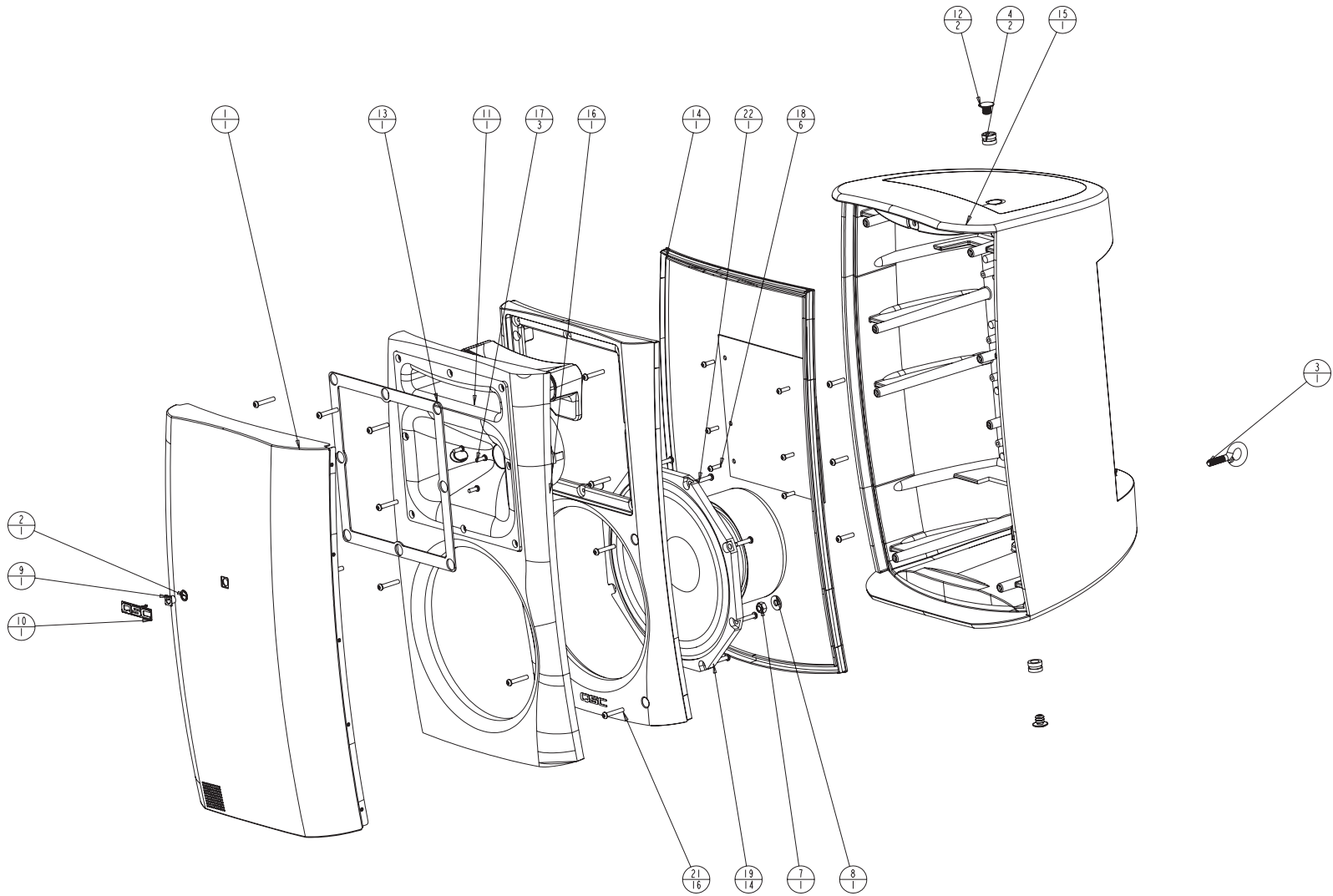
OSC OSC AUDIO PRODUCTS, INC.
1615 MACARTHUR BOULEVARD
COSTA MESA, CA 92626

ASSY, PLS-82

SCALE 0.500



THIS DOCUMENT CONTAINS PROPRIETARY INFORMATION WHICH IS THE PROPERTY OF GIG-A-BITE PRODUCTS. IT MAY NOT BE DISCLOSED, REPRODUCED OR USED WITHOUT EXPRESS WRITTEN CONSENT FROM GIG-A-BITE PRODUCTS.



SIZE	CAGE CODE	DWG. NO.	REV
D	00PW4	1-82	1
SCALE: 0.500	1-82, max. 1.4		SHEET 3 of 3
DRAWING INFO			1