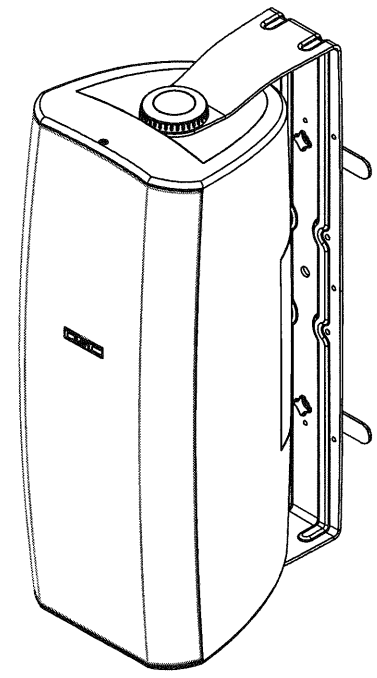
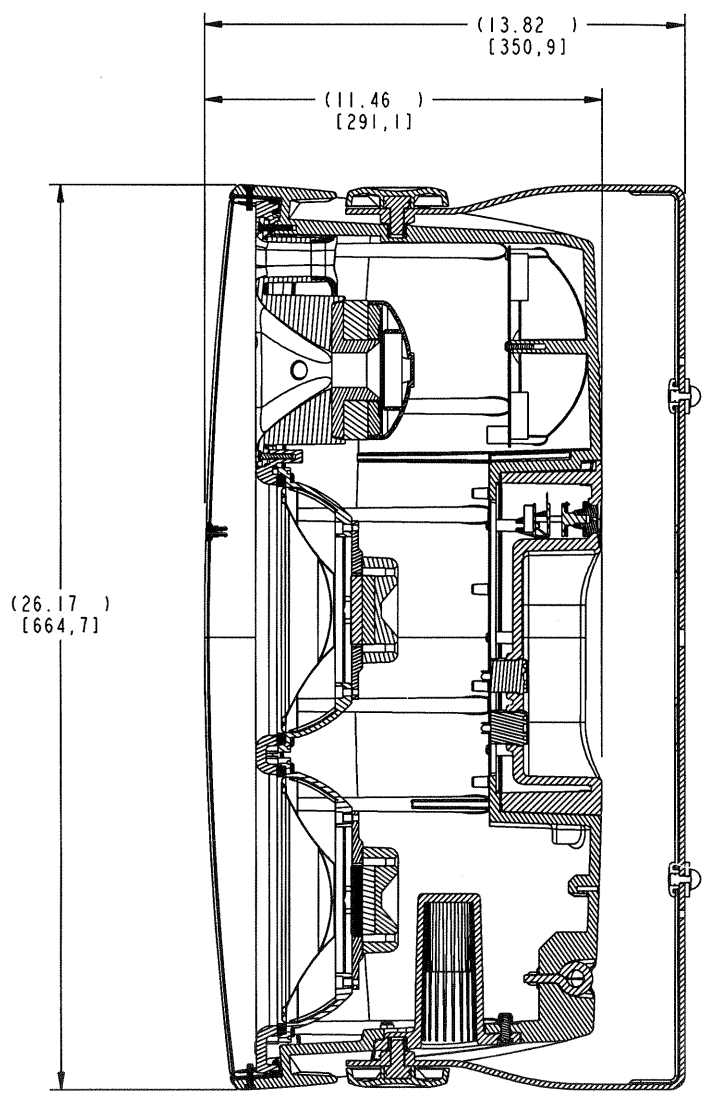
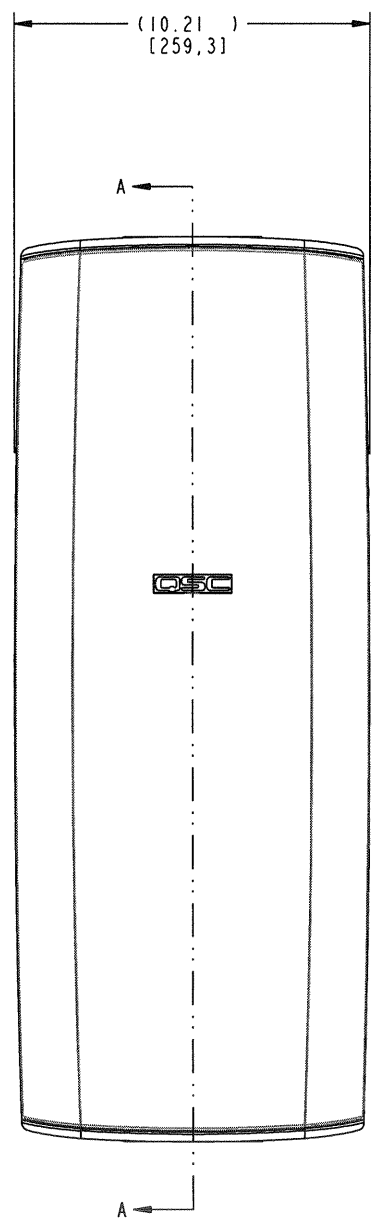


THIS DOCUMENT CONTAINS PROPRIETARY INFORMATION WHICH IS THE PROPERTY OF QSC AUDIO PRODUCTS, THAT MAY NOT BE DISCLOSED, REPRODUCED OR USED WITHOUT EXPRESS WRITTEN CONSENT FROM QSC AUDIO PRODUCTS.

REVISIONS				
REV	DESCRIPTION	EFF DATE	CHK	APPROVED DATE
1	RELEASE FOR QUOTE	10-15-03		
2	RELEASE FOR ALPHA BUILD	03-26-04		
4	RELEASE FOR PILOT	09-10-04		
A	PROD. RELEASE PER ECO 6397 MP	11-05-04		



SCALE 0.250

SECTION A-A

43	WP-000258-00	CROSSOVER ASSY, AD-S282	1
42	SW-000103-00	SWITCH, XFMR TAP	1
41	SP-000072-00	WOOFER, 8" NEO, 16 OHM, B&C	2
40	SP-000051-00	COMPRESSION DRIVER, DE 200, B&C	1
39	SP-000050-00	WAVEGUIDE, AD-S282	1
38	SC-000048-18	SCREW, SOCKET BUTTON HEAD, M6 X 1 X 18MM	3
37	SC-000011-23	SCREW, PHILLIPS, PANHEAD, M4X1.4, 23 L, BLK	20
36	SC-000011-18	SCREW, PHILLIPS, PANHEAD, M4X1.4,	5
35	SC-000011-15	SCREW, PHILLIPS, PANHEAD, M4X1.4, 15 L, BLK	8
34	SC-000006-14	CAP SCREW, M6 X 1 X 14MM	2
33	SC-000002-21	SCREW, PHILLIPS, PANHEAD, M4X1.4, 21 L	16
32	SC-000002-10	SCREW, PHILLIPS, PANHEAD, M4X1.4, 10 L	2
31	SC-000000-18	SCREW, PHILLIPS, PANHEAD, M3.5X1.25, 18 L	4
30	SB-000030-00	BAFFLE, AD-S282	1
29	SB-000029-XX	BUCKET, AD-S282	1
28	RD-000117-00	LABEL, SERIAL	1
27	PL-000382-00	GASKET, NL4	2
26	PL-000372-XX	POLE CUP, US/EU, 1-282H	2
25	PL-000360-00	GASKET, POLE CUP/COVER	1
24	PL-000346-XX	BADGE, AD-S282	1
23	PL-000344-00	GASKET, BAFFLE, AD-S282	1
22	PL-000342-XX	BACK COVER, PORTABLE, 1-S282H	1
21	PL-000339-00	FLARE, PORT, AD-S282	1
20	PL-000308-XX	KNOB, XFMR TAP SWITCH	1
19	PL-000307-XX	KNOB, MALE, M5 X .8	2
18	PL-000306-00	BUMPER, ROUND, .625", BLK	4
17	PL-000258-00	PLUG, WAVE GUIDE, HI OUTPUT, C3-8	2
16	PL-000244-00	O-RING, -.018, TEFLON	1
15	PL-000241-00	GASKET, DOCKING PLATE	1
14	PL-000238-00	GASKET, WAVE-GUIDE	1
13	PL-000227-XX	KNOB, YOKE	2
12	PL-000212-XX	RECEPTACLE, BADGE	1
11	NW-250520-04	WASHER, M6, SS	4
10	NW-000024-00	LOCKNUT, M6, W/NYLON, SS	4
9	MS-000210-00	FIBERFILL, POLYESTER, 13.4 X 9.9 X 2.0	2
8	LB-000476-00	LABEL, POLYCARBONATE, 1-282	1
7	HW-000041-00	EYE BOLT, 6MM, SS	1
6	HW-000040-00	RETAINER, ID, .312	1
5	CO-000238-00	JACK, SPEAKER, 4 POS, FEMALE, CHASSIS MOUNT	2
4	CH-000402-00	PLATE, MTG, SWITCH	1
3	CH-000387-XX	BRACKET, YOKE	1
2	CH-000386-XX	GRILLE, AD-S282	1
1	CH-000355-XX	FOOT, OUTRIGGER, 7.5 X 1, PLS-82	2

6. MAXIMUM ALLOWABLE SINKS/BULDGES: 0.003 INCH
5. LOGO ORIENTATION: MAXIMUM ALLOWABLE ANGLE FROM HORIZONTAL: +/- 1 DEGREE
4. MAXIMUM ALLOWABLE GAP BETWEEN GRILLE AND BUCKET: 0.02 INCH
3. TEXTURE AND FINISH: PER COSMETIC SPEC RD-000122-00.
2. COLORS: BLACK PER RD-000120-00, WHITE PER RD-000121-00
1. REFERENCE QSC DRIVER SPECIFICATION, WOOFER: SP-000072-00 AND TWEETER: SP-000051-00 FOR PERFORMANCE CHARACTERISTICS.

NOTE: UNLESS OTHERWISE SPECIFIED

DASH NO.	COLOR
-01	BLACK
-02	WHITE

ITEM		PART NUMBER	DESCRIPTION	QTY
BILL OF MATERIALS				
UNLESS OTHERWISE SPECIFIED DIMENSIONS ARE IN INCHES.		CONTRACT NO.		
TOLERANCES ARE:		APPROVALS		
DECIMALS .XX ± .02	DECIMALS .XXX ± .010	ANGLES ± 1/2	DATE	
DEBURR EDGES .010 R MAX		DRAWN D. SIMPSON 10-10-04		
MATERIAL NONE		CHECKED R. BALHAZAR 11-02-04		
FINISH NONE		MFG ENG S. ELIZALDE 11-02-04		
DO NOT SCALE DRAWING		ISSUED D. DELARM 11-04-04		
MODEL INFO		DRAWING INFO		
WP-000283-XX.moin.A.0+		SCALE 0.375 WP-000283-XX.A.0+ SHEET 1 of 2		

QSC QSC AUDIO PRODUCTS, INC.
1675 MACARTHUR BOULEVARD
COSTA MESA, CA 92626

ASSY, 1-282H

ROBERT_BECKER.BOM Wrapped Ref Des (Current Date,
Sort by Item Seq)

Current BOM
as of 21-MAY-07 11.57.43 AM

Assembly Item Number: WP-000283-01	Assembly Description: ASSY, I-282H, BLACK	Assembly Revision: A	Assy Rev Date: 21-MAY-07	Org: COSTA MESA
------------------------------------	---	----------------------	--------------------------	-----------------

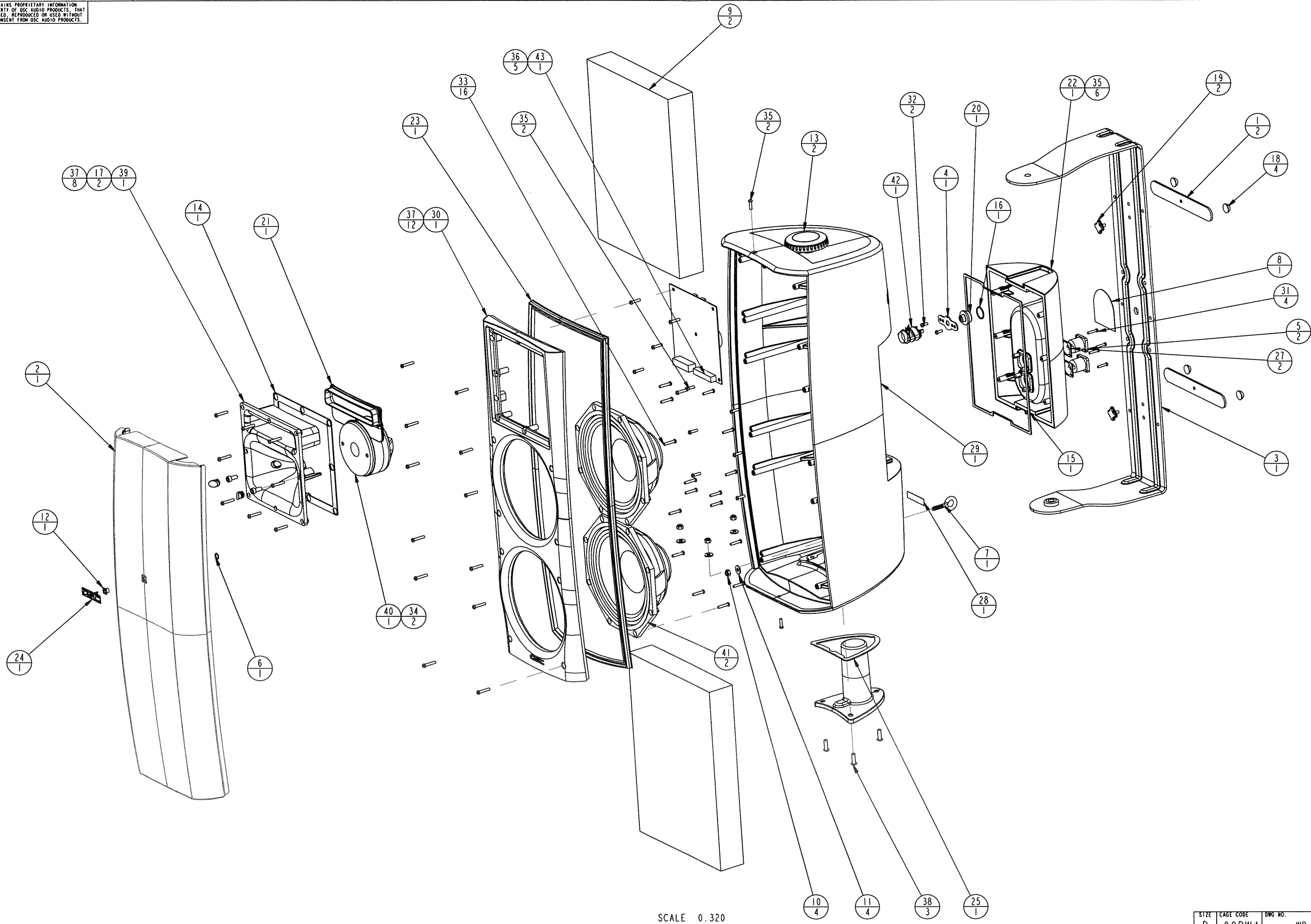
	Part Number	Rev	Description	Item No.	Eff Date	Qty	Op Sequence	Comments	Ref Des
1	CH-000355-01	1	FOOT, I-282 YOKE, , ,	1	17-MAY-2006	2.00	1		
2	CH-000386-01	A	GRILLE, , , I-282H/AD-S282, BLACK	2	17-MAY-2006	1.00	1		
3	CH-000387-01	A	YOKE, , , , BLACK	3	17-MAY-2006	1.00	1		
4	CH-000402-00	A	PLATE, MTG, SWITCH	4	17-MAY-2006	1.00	1		
5	CO-000238-00	1	JACK, SPEAKON, 4 POS, FEMALE, CHASSIS MOUNT	5	17-MAY-2006	2.00	1		
6	HW-000040-00	A	RETAINER, ID, 0.312, , ,	6	17-MAY-2006	1.00	1		
7	HW-000041-00	A	EYE BOLT, 6MM, , , SS,	7	17-MAY-2006	1.00	1		
8	LB-000476-00	A	LABEL, CONNECTIONS, POLYCARB, I-282,	8	17-MAY-2006	1.00	1		
9	MS-000210-00	A	FIBERFILL, POLY, 13.4X9.9X2.0	9	17-MAY-2006	2.00	1		
10	NW-000024-00	A	LOCKNUT, M6, SS, W/NYLON,	10	17-MAY-2006	4.00	1		
11	NW-250520-04	A	SRV - WASHER, M6, SS	11	17-MAY-2006	4.00	1		
12	PL-000212-01	A	RECEPTACLE, BADGE, , , BLACK,	12	17-MAY-2006	1.00	1		
13	PL-000227-01	B	KNOB, BRACKET, C3-8, POLYSTYRENE, BLACK,	13	17-MAY-2006	2.00	1		
14	PL-000238-00	1	GASKET, WAVE-GUIDE, 0.06" THICK, POLYETHYLENE, BLACK,	14	17-MAY-2006	1.00	1		
15	PL-000241-00	A	GASKET, DOCKING PLATE, PERIMETER, POLYETHYLENE, BLACK,	15	17-MAY-2006	1.00	1		
16	PL-000244-00	1	O-RING, 018, , , TEFLON, ,	16	17-MAY-2006	1.00	1		
17	PL-000258-00	A	PLUG, WAVE GUIDE, HI-OUTPUT, C3-8	17	17-MAY-2006	2.00	1		
18	PL-000306-00	1	BUMPER, I-282 YOKE, , , ,	18	17-MAY-2006	4.00	1		
19	PL-000307-01	1	KNOB, M5x.8, MALE, I-282 YOKE, , , ,	19	17-MAY-2006	2.00	1		
20	PL-000308-01	A	KNOB, XFMR TAP SWITCH, BLACK	20	17-MAY-2006	1.00	1		
21	PL-000339-00	A	FLARE, PORT	21	17-MAY-2006	1.00	1		
22	PL-000342-01	A	BACK, COVER, BLACK	22	17-MAY-2006	1.00	1		
23	PL-000344-00	A	GASKET, BAFFLE, AD-S282, , ,	23	17-MAY-2006	1.00	1		
24	PL-000346-01	A1	BADGE, AD-S282, , , BLACK,	24	17-MAY-2006	1.00	1		
25	PL-000360-00	A	GASKET, POLE CUP/COVER, , , ,	25	17-MAY-2006	1.00	1		
26	PL-000372-01	A	POLE CUP, US/EU, BLACK	26	17-MAY-2006	1.00	1		
27	PL-000382-00	1	GASKET, SPEAKON	27	17-MAY-2006	2.00	1		
28	SB-000029-01	C	BUCKET, , AD-S282, , BLACK,	29	17-MAY-2006	1.00	1		
29	SB-000030-00	A	BAFFLE	30	17-MAY-2006	1.00	1		
30	SC-000000-18	A	PHILLIPS, PANHEAD, M3.5 X 1.25, 15 L, ,	31	17-MAY-2006	4.00	1		
31	SC-000002-10	A	SCREW, P/P, M4 X 1.4, 10L	32	17-MAY-2006	2.00	1		
32	SC-000002-21	A	PHILLIPS, PANHEAD, M4 X 1.4, 21 L, ,	33	17-MAY-2006	16.00	1		
33	SC-000006-14	A	CAP SCREW, M6 X 14MM	34	17-MAY-2006	2.00	1		
34	SC-000011-15	A	SCREW, P/P, M4 X 1.4, 15L, BLK	35	17-MAY-2006	8.00	1		
35	SC-000011-18	A	SCREW, P/P, M4 X 1.4	36	17-MAY-2006	5.00	1		
36	SC-000011-23	A	PHILLIPS, PANHEAD, M4 X 1.4, 23 L, BLACK,	37	17-MAY-2006	20.00	1		
37	SC-000048-18	A	SCREW, SOCKET BUTTON HEAD, M6 X 1 X 23MM, , ,	38	17-MAY-2006	3.00	1		
38	SP-000050-00	A	WAVEGUIDE, AD-S282H	39	17-MAY-2006	1.00	1		
39	SP-000051-00	C1	COMPRESSION DRIVER, 1", B&C, DE-200, 8ohm	40	17-MAY-2006	1.00	1		
40	SP-000072-00	C1	WOOFER, 8", 8/056-16 TWP, , B&C,	41	17-MAY-2006	2.00	1		

Current BOM
as of 21-MAY-07 11.57.43 AM

Assembly Item Number: WP-000283-01	Assembly Description: ASSY, I-282H, BLACK	Assembly Revision: A	Assy Rev Date: 21-MAY-07	Org: COSTA MESA
------------------------------------	---	----------------------	--------------------------	-----------------

	Part Number	Rev	Description	Item No.	Eff Date	Qty	Op Sequence	Comments	Ref Des
41	SW-000103-00	A	SWITCH, XFMR TAP	42	17-MAY-2006	1.00	1		
42	WP-000258-00	A	CROSSOVER ASSEMBLY, , AD-S282, ,	43	17-MAY-2006	1.00	1		

THIS DOCUMENT CONTAINS PROPRIETARY INFORMATION WHICH IS THE PROPERTY OF OSC AUDIO PRODUCTS. THAT MAY NOT BE DISCLOSED, REPRODUCED OR USED WITHOUT EXPRESS WRITTEN CONSENT FROM OSC AUDIO PRODUCTS.



SCALE 0.320

SIZE	CAGE CODE	DWG NO.	REV
D	00PW4	WP-000283-XX	A
SCALE 0.143	WP-000283-XX.A.0*	SHEET 2 of 2	
DRAWING INFO			

DWG NO. WP-000283-XX

REV A