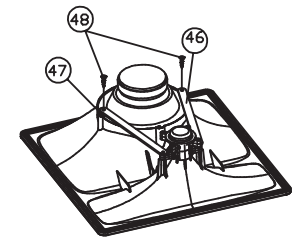
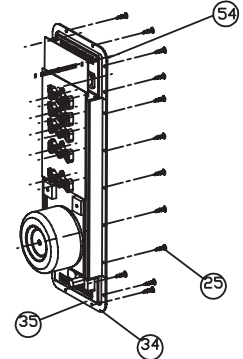
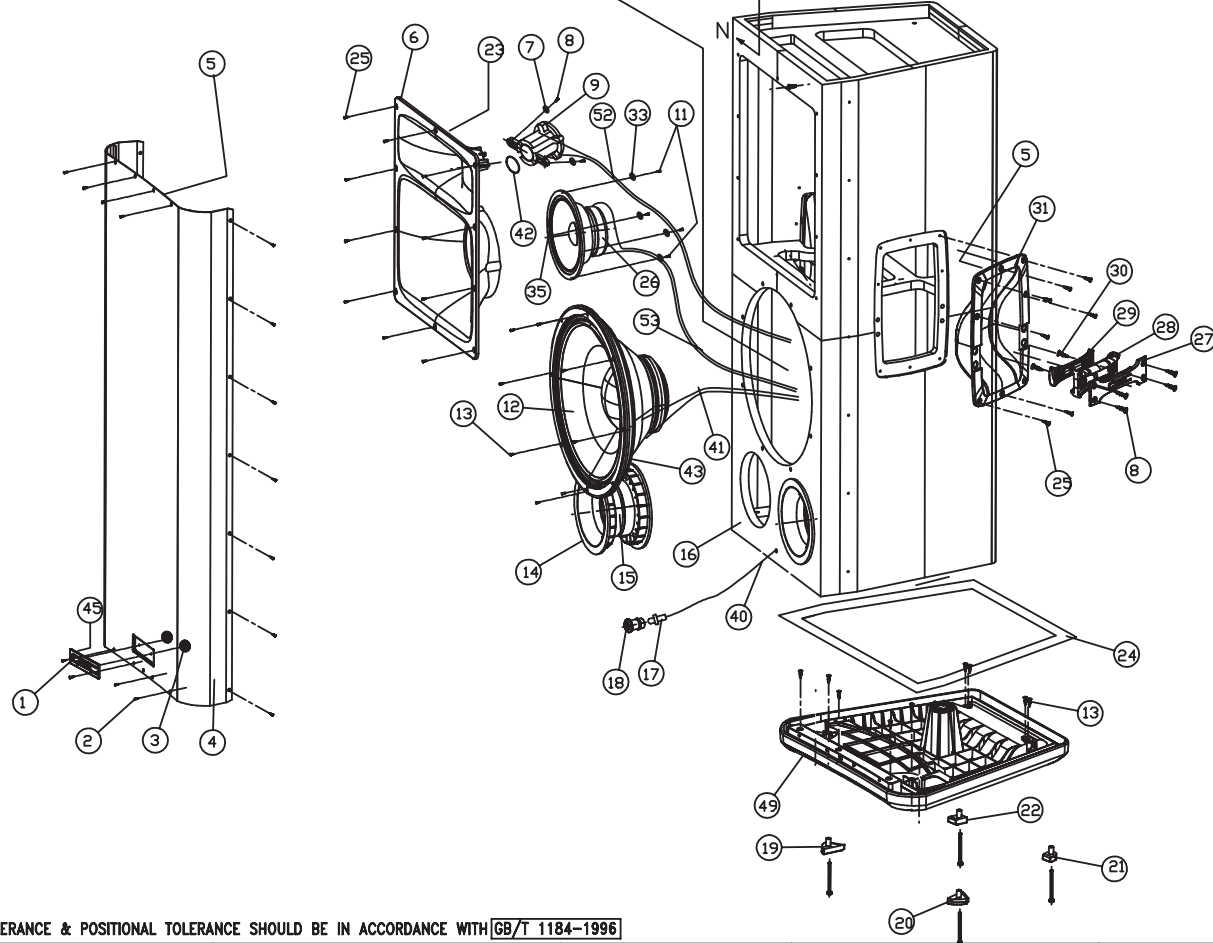
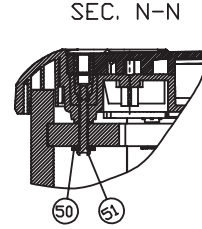
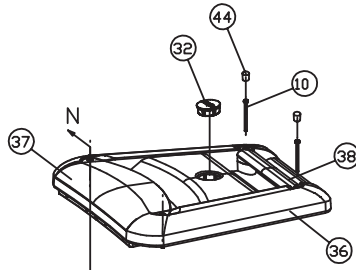
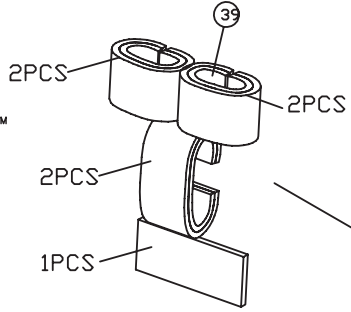




WORK TO DIMENSIONS. REMOVE ALL BURRS. ALL CASTINGS AND MOULDING TO BE FREE FROM SINKS AND BLEMISHES.

THIS DOCUMENT CONTAINS PROPRIETARY INFORMATION WHICH IS THE PROPERTY OF QSC AUDIO PRODUCTS; THAT MAY NOT BE DISCLOSED, REPRODUCED OR USED WITHOUT EXPRESS WRITTEN CONSENT FROM QSC AUDIO PRODUCTS.



GEOMETRIC TOLERANCE & POSITIONAL TOLERANCE SHOULD BE IN ACCORDANCE WITH GB/T 1184-1996

**QSC** QSC AUDIO PRODUCTS, INC.  
1515 MACARTHUR BOULEVARD  
COSTA MESA, CA 92626

UNLESS OTHERWISE SPECIFIED : TOLERANCES ARE			
1 decimal place	±0.1mm	31 - 120mm	±0.3mm
1 - 5mm	±0.1mm	121 - 315mm	±0.5mm
6 - 30mm	±0.2mm	OVER 315mm	±0.8mm

MODEL	USAGE
HPR 153i	

MATERIAL:
UNLESS SPECIFIED COMPLY WITH THE [RoHS]
FINISH:
DO NOT SCALE DRAWING

SIGNATURE	DATE
DRAWN:Huisheng Wu	Aug.10.06
CHECKED:	
APPROVED:	

SIGNATURE	DATE
CHECKED:	
CHECKED:	

TITLE: HPR153i EXPLODED DRAWING			
PART NO.			
SCALE	SIZE	DRAWING NO.	REV
NTS	A4	Exploded_Hpr153i	2
			PAGE 1 OF 3

GPE EN. NO.	REV	ZONE	DESCRIPTION	DATE
	1		DRAWING RELEASE	Aug.10.06
	2		UPDATE ITEM:41,52,53	Nov.29.06

Item Number	Component Description	Component Item Number	Qty
1	LOGO, HPR SERIES, , , ,	PL-000440-GP	1
2	SCREW, TRUSS HEAD, M4X16, JHC030-00, ,	SC-000099-GP	22
3	S/L WASHER, M9.7X22X0.5, , ,	NW-000105-GP	2
4	GRILL, , , HPR153F,	CH-000477-GP	1
5	GASKET, 1000X10X2MM, EVA B, , ,	PL-000062-GP	6
6	HORN, MF, HF, HPR153F, , ,	PL-000447-GP	1
7	Z/T WASHER, M5X0.8X10MM, WZ, ,	NW-000110-GP	2
8	SCREW, M5X25, PAN HEAD, DIA 8XH2.5, BLACK,	SC-000094-GP	10
9	COMPRESSION DRIVER, 1.4", ALUMINUM, NEODYMIUM, CELESTION, CDX1-1425, T5455_GPE	SP-000086-GP	1
10	SCREW, PH, M5X85MM, , BLACK,	SC-000098-GP	8
11	MA SCREW, 4X7 6.5MM, YW-ZN, JG1601, ,	SC-000089-GP	2
12	WOOFER, 15", PAPER, FERRITE, CELESTION, TRUVOX 1530, T5449_GPE	SP-000084-GP	1
13	SCREW, M5, HEXAGON-SOCKET, , ,	SC-000092-GP	26
14	PORT TUBE, FOR HPR, , , ,	PL-000071-GP	4
15	PAPER TUBE, FOR HPR 3WAY, 15MM, ,	MS-000077-GP	2
16	ENCLOSURE, , HPR153i, , ,	SB-000058-GP	1
17	LED, 3MM, BLUE SP, SLR343BB T 225419 ROHM, , ,	QD-000312-GP	1
18	LED HOLDER, FOR HPR, , , ,	PL-000479-GP	1
19	FOOT A, , , , ,	PL-000512-GP	1
20	FOOT B, , , , ,	PL-000513-GP	1
21	FEET, END CAP, HPR, RUBBER, C, ,	PL-000443-GP	1
22	FEET, END CAP, HPR, RUBBER, D, ,	PL-000444-GP	1
23	GRILLE, GASKET, FOR QBASS, , ,	PL-000067-GP	5
24	GASKET, FOR QBASS END CAP (1M), , , ,	PL-000068-GP	4
25	SCREW WOOD, M4X20, BIND HEAD BZ, , ,	SC-000100-GP	46
26	MIDRANGE, 6.5", PAPER, FERRITE, CELESTION, TRUVOX 0615, T5457_GPE	SP-000085-GP	1
27	TOP HANDLE, FOR HPR, SIDE HANDLE, ,	CH-000494-GP	2
28	RUBBER GRIP, FOR HPR SIDE HANDLE, , , ,	PL-000072-GP	2
29	BOTTOM HANDLE, FOR HPR, SIDE HANDLE, ,	CH-000523-GP	2
30	SCREW, M5X12, PH BLK ZN, , ,	SC-000096-GP	4
31	HANDLE CAP, FOR HPR, , , ,	PL-000076-GP	2
32	PLUG ENDCAP, FOR HPR 3WAY, , , ,	PL-000073-GP	2
33	SPRING WASHER, M4X0.8X7, MM YEL, ,	NW-000106-GP	4
34	AMP MODULE ASSY, , HPR153i, 120V, FULL RANGE, 15" 3-WAY	WP-153001-00	1
35	EVA GASKET, 5X500, , , ,	PL-000066-GP	5
36	ENDCAP, FOR HPri-2WAY/3WAY, , , ,	PL-000069-GP	2

Item Number	Component Description	Component Item Number	Qty
37	TOP FRONT HANDLE, , , HPR,	CH-000690-GP	1
38	REAR HANDLE, FOR HPR, ENDCAP, ,	CH-000493-GP	2
39	ACOUSTIC WOOL, 200X600X30, , ,	MS-000074-GP	7
40	WIRE, BLACK&BLACK, 26 AWG TWIN, , , 1080MM, UL2468	WC-000420-GP	1
41	POWER CORD, IEC V-LOCK, 18AWG, 3M, , NEMA 5-15, ,	WC-000361-GP	1
42	GASKET, D32XD26.5X1MM, EVA BK, , ,	PL-000061-GP	1
43	GASKET, 1300X10X4MM, EVA BK, , ,	PL-000063-GP	1
44	RUBBER COVER, FOR HPR HANDLE HOLE, , , ,	PL-000074-GP	4
45	FOAM STRIP, MP1, 406.4X6X4, SP8296, ,	PL-000065-GP	1
46	MOUNTING PLATE, POWDER COATED, , HPR-3WAY,	CH-000574-GP	2
47	MOUNTING BOSS, , , HPR-3WAY,	CH-000575-GP	2
48	K5004025102, M4X7.8M, JGC046-00, , ,	SC-000088-GP	2
49	BOTTOM FRONT HANDLE, , , HPR,	CH-000691-GP	1
50	WASHER, M6X1X18, NI, , METAL,	NW-000109-GP	6
51	SCREW, M6 X 49, , , ,	SC-000145-GP	2
52	#16 AWG WIRE, UL1015 PIN, T65-6Y-2, , , ,	WC-000418-GP	1
53	#16 AWG WIRE, 750MM		
54	INPUT/OUTPUT PLATE (BARE), HPR153i	CH-000547-GP	1