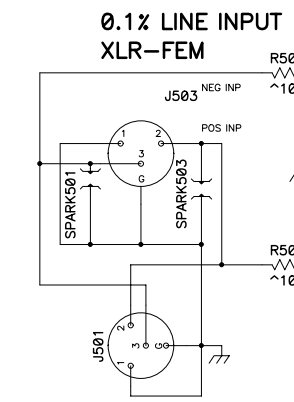
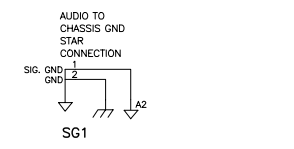
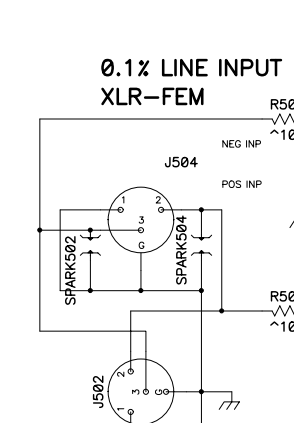


THIS DOCUMENT CONTAINS PROPRIETARY INFORMATION WHICH IS THE PROPERTY OF QSC AUDIO PRODUCTS, THAT MAY NOT BE DISCLOSED, REPRODUCED OR USED WITHOUT EXPRESS WRITTEN CONSENT FROM QSC AUDIO PRODUCTS.

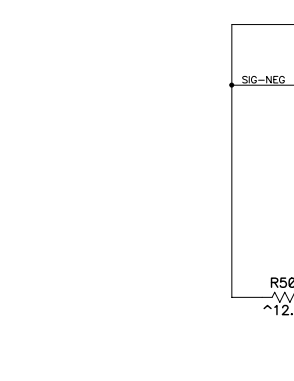


0.1% LINE INPUT XLR-FEM



0.1% LINE INPUT XLR-FEM

LINE OUTPUT, XLR-MALE

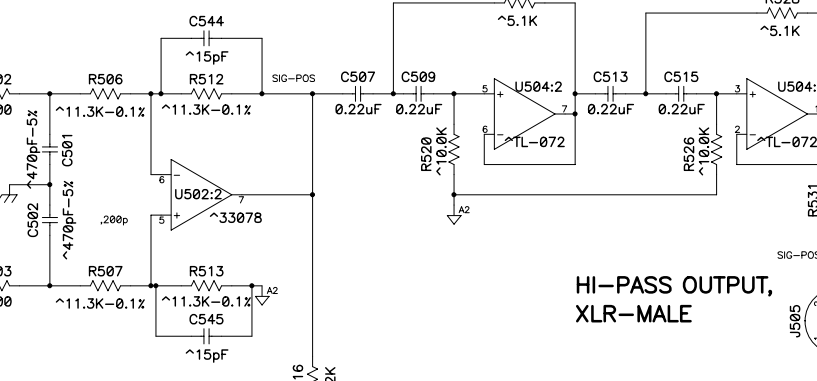


4TH ORDER HP-40Hz

DUAL-4B

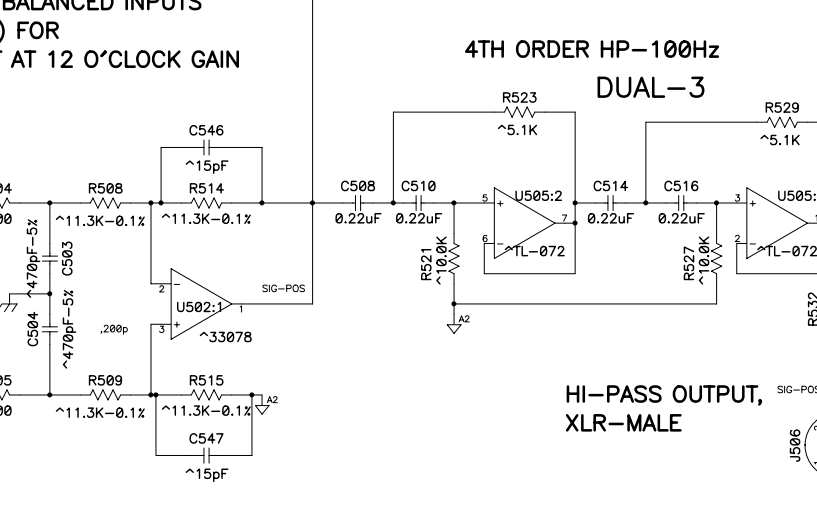
LINE OUTPUT, XLR-MALE

ADD CHASSIS TIE



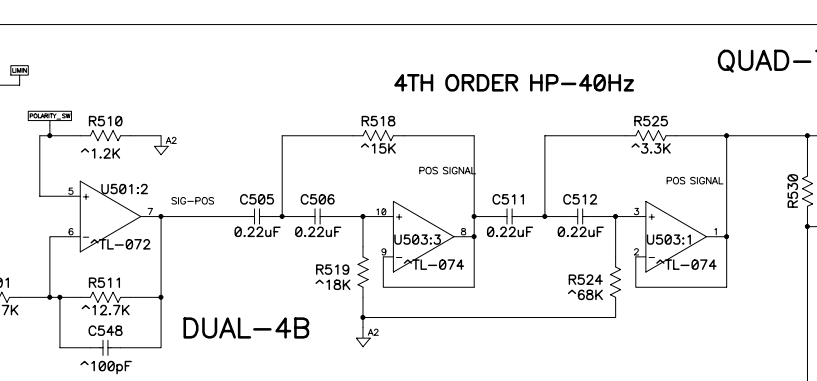
4TH ORDER HP-100Hz

DUAL-2



4TH ORDER HP-100Hz

DUAL-3

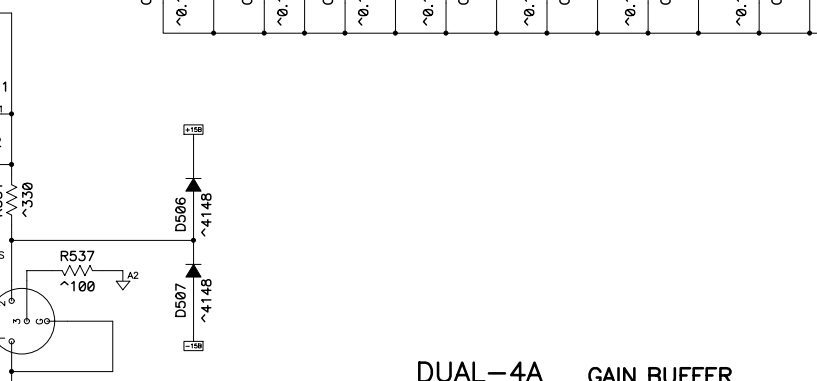


4TH ORDER HP-40Hz

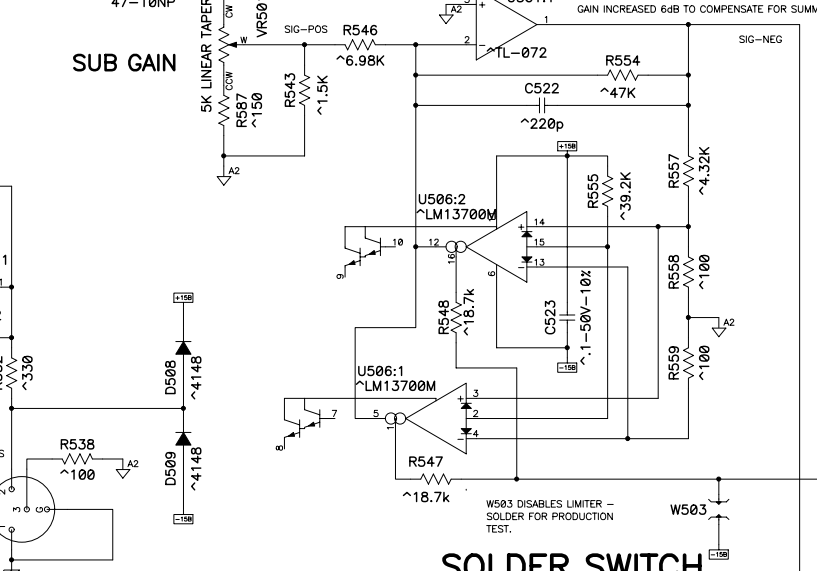
QUAD-7

ATTENUATOR

OP-AMP SUPPLIES

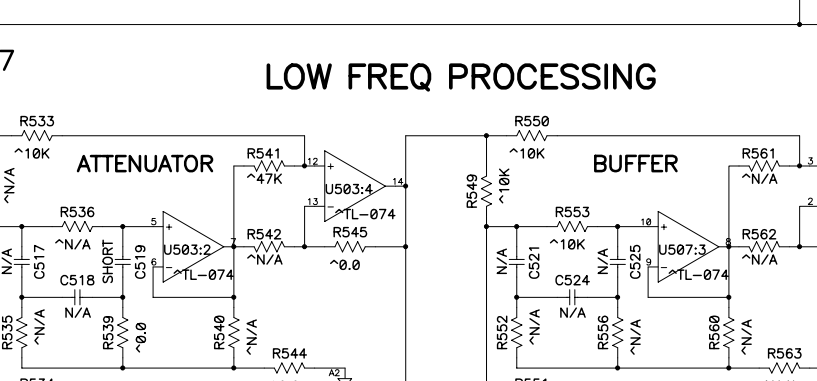


OP-AMP SUPPLIES



DUAL-4A GAIN BUFFER AND LIMITER

GAIN INCREASED 6dB TO COMPENSATE FOR SUMMING LOSS

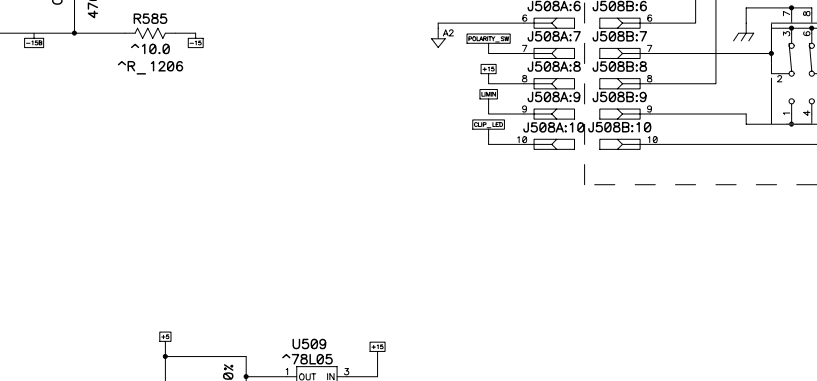


LOW FREQ PROCESSING

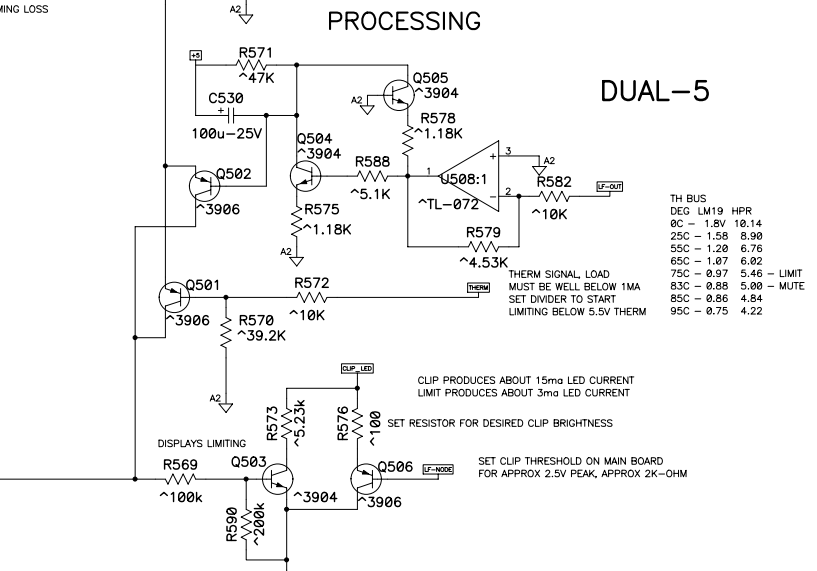
ATTENUATOR

BUFFER

TO FRONT MOUNTED LED (SWITCHABLE)

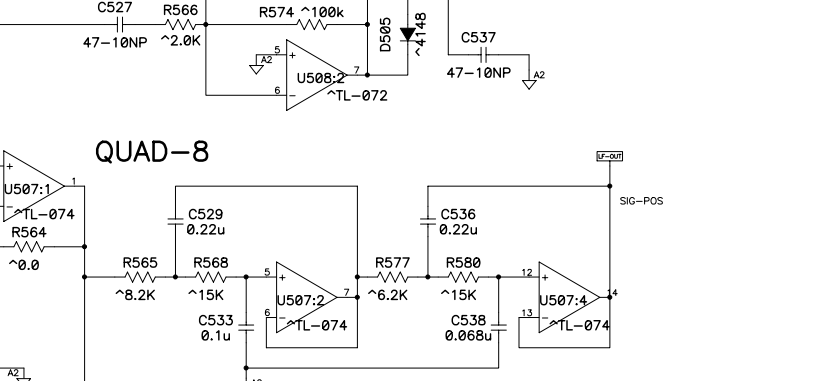


TO FRONT MOUNTED LED (SWITCHABLE)



LIMITER CONTROL PROCESSING

DUAL-5

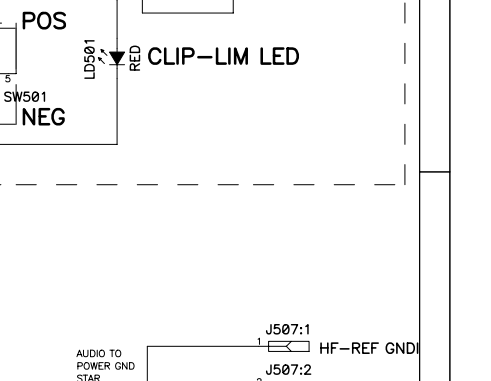


SIGNAL-PRESENCE LED DRIVER

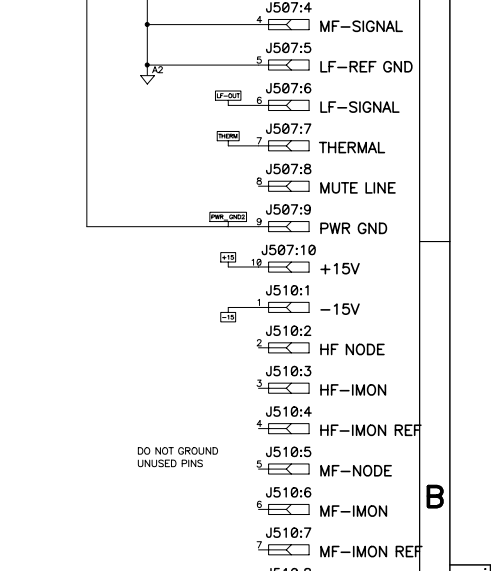
4TH ORDER LP, 100Hz

SWITCH/LED PCB MOUNTS FROM INPUT PCB

SWITCH/LED PCB MOUNTS FROM INPUT PCB



SWITCH/LED PCB MOUNTS FROM INPUT PCB



POLARITY SWITCH

POS

NEG

RED CLIP-LIM LED

BLU PANEL-PWR

GRN PANEL-SIG

HF-REF GND

HF-SIGNAL

MF-REF GND

MF-SIGNAL

LF-REF GND

LF-SIGNAL

THERMAL

MUTE LINE

PWR GND

+15V

-15V

HF NODE

HF-IMON

HF-IMON REF

MF-NODE

MF-IMON

MF-IMON REF

LF-NODE

LF-IMON

LF-IMON REF

SIZE	FSCM NO.	DWG NO.	REV
D		SH-151002-00	A1
SCALE	CAD FILE NO.	SH-151002-A1.SCH	SHEET 2

SH-151002-00 A1 2 SH

Part Number	Description	Qty	Ref Des
CA-015005-GP	15PF, 5 PCNT, 50V, CERAMIC, 0805,	5	C48, C544, C545, C546, C547
CA-033003-GP	33PF, 5%, 50V, CC, 0805, 1.2X	2	C11, C12
CA-110005-GP	CC 50V 100PF 5% 0805 1.2	1	C548
CA-110007-GP	100P, 5%, 100V, CTC, 0805, 0/30	1	C49
CA-122005-GP	CC 50V 220PF 5% 0805	3	C45, C522, C6
CA-147006-GP	470PF 5% 50V CER NPO	4	C501, C502, C503, C504
CA-233009-GP	3300P, 5%, 100V, CTC, 1206, 0/30	1	C4
CA-368006-GP	.068UF, 5 PCNT, 50V, FILM, ,	1	C538
CA-410014-GP	0.1UF 10% 50V CER X7R 0805	15	C17, C22, C27, C34, C50, C523, C526, C528, C531, C532, C534, C535, C539, C540, C7
CA-410018-GP	CM 250V .1UF 5% RL	2	C8, C9
CA-410023-GP	0.1UF, 5%, 63V, CM, , RBT, 7.5X6	1	C533
CA-415006-GP	.15UF, 5 PCNT, 200V, CC, 1210,	1	C2
CA-422010-GP	0.22U, 10%, 50V, CC, 0805,	2	C10, C30
CA-422011-GP	0.22U, 5%, 63V, CM, , RBT, 7.5X	14	C505, C506, C507, C508, C509, C510, C511, C512, C513, C514, C515, C516, C529, C536
CA-510017-GP	1UF, 20 PCNT, 50V, CC, SMT, 1210	2	C24, C25
CA-610009-GP	CE 35V 10UF 20% RL 5 X 11	1	C35
CA-622010-GP	22UF, 20%, 35V, CE, , RLT, 5x11	1	C36
CA-647006-GP	CE 16NP 47UF 20% RL	4	C1, C520, C527, C537
CA-710013-GP	100U, 20%, 25V, CE, , 5X11, RLT	1	C530
CA-747009-GP	470UF, 20%, 16V, CE, , RLT	2	C542, C543
CA-810007-GP	1000UF, 20%, 25V, CE, , RLT	2	C18, C19
CA-912001-GP	1200UF, 20 PCNT, 63V, CE, RL, ,	4	C13, C14, C15, C16
CH-000173-GP	COVER, XFMR, STEEL, LARGE	1	
CH-000489-GP	PLATE-SPRING STEEL, , , ,	5	
CH-000490-GP	HEATSINK, 381X189.2X38.1, , HPR,	1	
CH-000548-GP	PANEL, INPUT, , HPR1511,	1	
CH-000550-GP	PANEL, AC, , HPR1,	1	
CO-000558-GP	XLR, CONNECTOR, 3PM, , ,	4	J501, J502, J505, J506
CO-000204-GP	CONN XLR F VERT PLASTIC	2	J503, J504
CO-000211-GP	AC INLET 250V 15A	1	
CO-000213-GP	CONN 2 PIN STRAIGHT WAFER	1	J509A
CO-000214-GP	CONN 3 PIN STRAIGHT WAFER	1	J3
CO-000347-GP	TERMINAL BLOCK, 5MM, 5POS(1X5), FEMALE, RIGHT ANGLE	1	J2
CO-000349-GP	WIRE HOLDER, RIBBON CABLE, 10 POS, FEMALE,	3	J507, J508B, J510
CO-000350-GP	WIRE TRAP, RIBBON CABLE, 10 POS, FEMALE, RELEASEABLE	3	J5, J508A, J6
CO-000352-GP	TERMINAL BLOCK, 5MM, 2POS (1X2), FEMALE, RIGHT	1	J4
HW-000075-GP	FUSE HOLDER, , , , ,	2	F1
HW-000102-GP	BRASS POST, D6X10, , , ,	3	
IC-000075-GP	IC VOLTAGE REG, +5, LM78L05, SMT,	1	U509
IC-000076-GP	IC LM339, SMD COMPARATORS, , ,	1	U2
IC-000077-GP	IC LM13700M, , , SMT,	1	U506
IC-000078-GP	IC LM19, THERMAL SENSOR, , TO-92,	1	U4
IC-000079-GP	IC MC33078, OP-AMP, , SMT,	2	U1, U502
IC-000377-GP	IC 7805, REGULATOR, 5V, ,	1	U3
IC-000378-GP	IC LM7915CT, REGULATOR, -15V, ,	1	U6
IC-000379-GP	IC LM7815CT, REGULATOR, 15V, ,	1	U5
IC-000380-GP	IC TL072, OPAMP, DUAL, SO-8,	4	U501, U504, U505, U508
IC-000381-GP	IC TL074CD-SO14, OPAMP, QUAD, SO-14,	2	U503, U507
LB-000530-GP	PC INLAY, WARNING LABEL, , ,	1	
MS-000073-GP	FUSE, FAST, ACTING 5A, SMT, 1206,	2	F4, F5
MS-000293-GP	10A FUSE, QUICK-ACTING, , ,	1	F1
NW-000070-GP	M3, NUT, , , , ,	3	
NW-000072-GP	NUT, HEX, M4, , ,	1	
NW-040002-GP	SPRING WASHER M4 X 7	1	
NW-040003-GP	I/T WASHER M4X0.4X8, YZ	1	
PC-122001-00	PCB, MAIN, HPR1221, , ,	1	
PC-151002-00	PCB, INPUT, HPR1511, , ,	1	
PL-000066-GP	EVA GASKET, 5X500, , , ,	3	
PL-000152-GP	CABLE TIE, ISA	4	
PL-000327-GP	PAD, XFMR, EPDM 40A, 1/8" THK, BLACK,	2	
PL-000391-GP	KNOB, GAIN, HPR SERIES, , ,	1	
PL-000454-GP	INSULATION SHEET IC, , , SILPAD 800, ,	5	
PL-000455-GP	LED HOLDER, LED3-11, , , , ,	3	LD501-1, LD502-1, LD503-1
PL-000456-GP	SPRINGSEAT, TRANSISTOR, HPR, NYLON, ,	5	
PL-000457-GP	SPACER, L=4.0, ELM 3, , , ,	1	U4
PL-000458-GP	SPONGE CUSHION, , , , , ,	2	
PT-110002-GP	TRIM, 100, 20 PCNT, 0.15W, , ,	1	VR1
PT-250003-GP	VR 5K, XVB12111YNPVB25F, , , , ,	1	VR501
QD-000201-GP	DIODE LL4148 SM	19	D10, D11, D12, D20, D24, D25, D27, D30, D38, D501, D502, D503, D504, D505, D506, D507, D508, D509, D8
QD-000204-GP	XISTOR NPN 60V 200MA 3904 SOT-23	11	Q11, Q16, Q2, Q3, Q37, Q38, Q503, Q504, Q505, Q507, Q6
QD-000205-GP	XISTOR PNP 40V 0.2A TR3906 SOT-23	10	Q1, Q10, Q17, Q19, Q36, Q39, Q501, Q502, Q506, Q7
QD-000206-GP	DIOD RECT FAST, IN4934 AT	4	D1, D2, D4, D5
QD-000208-GP	XISTOR PNP 230V 15A 2SA1943	4	Q12, Q14, Q34, Q51
QD-000209-GP	XISTOR NPN 230V 15A 2SC5200	4	Q13, Q15, Q35, Q52
QD-000227-GP	BRIDGE RECT 400V 25A	2	BR1, BR2
QD-000260-GP	MOSFET, N-CH, 60V, 52A, 52N06V	2	Q21, Q22
QD-000300-GP	LED SC, 2.9 X 5.4 XL 0.5 BL, , , , ,	1	LD502
QD-000301-GP	LED, 3MM, GREEN SP, , , , ,	1	LD503
QD-000302-GP	LED SP, 2.9 X 5.4 XL 0.5 RED, , , , ,	1	LD501
QD-000303-GP	DIODE, BAV21WS 250V, , , , ,	3	D3, D6, D9

Part Number	Description	Qty	Ref Des
QD-000304-GP	DIODE, MUR810 RL 8A, , , , ,	2	D13, D15
QD-000305-GP	DZ 1/2W, 6.2VB RLZ6.2B, , , , SMT,	2	D14, D7
QD-000306-GP	DZ 1/2W, 7.5VB RLZ7.5B LL, , , , SMT,	1	D26
QD-000307-GP	SMD DIODE, ISR154-400, , , , ,	6	D16, D17, D18, D19, D36, D37
QD-000308-GP	TR MMBTA42 NPN SMD, , , , , SOT-23,	2	Q20, Q5
QD-000309-GP	TR 2SA1837, 100-320 RL, , , , ,	1	Q4
QD-000310-GP	TR 2SC4793, 100-320-RL, , , , ,	1	Q9
QD-000311-GP	TR MMBTA92 SOT 23 KEC, , , , ,	2	Q18, Q8
RE-01002-GP	0.1R, 5 PCNT, 2W, RMF, ATS METAL,	12	R111, R114, R25, R26, R27, R28, R29, R30, R41, R42, R70, R73
RE-82001-GP	8.2 OHM, 1W, 5 PCNT, AT, RMF,	1	R6
RE-000003-GP	RMG 1/10W 0 OHM 5% 0805	4	R539, R544, R545, R564
RE-001009-GP	10 1% 1/8W THK FLM 1206	2	R584, R585
RE-001012-GP	10OHM, 1/4W, 1%, AT, RMF,	2	R126, R127
RE-001013-GP	10, 1 PCNT, 1/10W, THICK FILM, 0805,	1	R128
RE-004753-GP	RMG 1/10W 47.5 OHM 1% 0805	4	R21, R22, R23, R24
RE-010011-GP	100 1% 1/10W THK FLM 0805 100V	13	R14, R15, R19, R20, R502, R503, R504, R505, R537, R538, R558, R559, R576
RE-015008-GP	150, 1 PCNT, 1/10W, THICK FILM, 0805,	1	R587
RE-033001-GP	330 OHM, 1 PCNT, 1/10W, RMG, 0805,	2	R531, R532
RE-034801-GP	348R, 1 PCNT, 1/10W, RMG, 0805,	1	R8
RE-047012-GP	470, 1 PCNT, 1/10W, THICK FILM, 0805,	1	R77
RE-063405-GP	634 OHMS 1% 1/10W 0805	1	R567
RE-091002-GP	910R, 1 PCNT, 1/10W, RMG, 0805,	6	R11, R12, R123, R17, R18, R9
RE-111801-GP	1.18K, 1 PCNT, 1/10W, RMG, 0805,	2	R575, R578
RE-112001-GP	RMG 1/10W 1.2K 1% 0805	3	R510, R516, R517
RE-115008-GP	1.5K, 1 PCNT, 1/10W, THK FLM, 0805, 100V	1	R543
RE-120004-GP	RMG 1/10W 2K 1% 0805	1	R566
RE-122010-GP	2.2K 1% 1/10W THK FM 0805 100V	1	R16
RE-124001-GP	2.4K, 1 PCNT, 1/10W, RMG, 0805,	2	R2, R35
RE-130103-GP	RMG 1/10W 3.01K 1% 0805	1	R33
RE-133008-GP	3.3K, 1 PCNT, 1/10W, THICK FILM, 0805,	1	R525
RE-143202-GP	4.32K, 1 PCNT, 1/10W, RMG, 0805,	1	R557
RE-145303-GP	4.53K, 1 PCNT, 1/10W, RMG, 0805,	1	R579
RE-147002-GP	4.7K 1% 1/10W THK FLM 0805	5	R39, R56, R66, R79, R97
RE-151006-GP	5.1K, 1 PCNT, 1/10W, THICK FILM, 0805,	6	R522, R523, R528, R529, R588, R589
RE-152302-GP	5.23K, 1 PCNT, 1/10W, THICK FILM, 0805,	1	R573
RE-159003-GP	5.9K 1% 1/10W THK FLM 0805	2	R96, R98
RE-162001-GP	6.2K, 1 PCNT, 1/10W, RMG, 0805,	1	R577
RE-164901-GP	6.49K, 1 PCNT, 1/10W, RMG, 0805,	1	R48
RE-169802-GP	6.98K, 1 PCNT, 1/10W, THK FLM, 0805, 100V	1	R546
RE-182007-GP	8.2K, 1 PCNT, 1/10W, THICK FILM, 0805,	1	R565
RE-210007-GP	10K 1% 1/10W THK FLM 0805	13	R1, R122, R3, R520, R521, R526, R527, R533, R549, R550, R553, R572, R582
RE-211305-GP	11.3K .1% 1/10W RMG 0805	8	R506, R507, R508, R509, R512, R513, R514, R515
RE-212003-GP	12K 1% 1/10W THK FLM 0805 100V	1	R7
RE-212004-GP	12K, 1 PCNT, 1/8W, THICK FILM, 1206,	1	R586
RE-212703-GP	12.7K, 1 PCNT, 1/10W, THICK FILM, 0805,	2	R501, R511
RE-213005-GP	13K, 1 PCNT, 1/10W, RMG, 0805,	3	R36, R89, R90
RE-215003-GP	15K, 1 PCNT, 1/10W, RMG, 0805,	3	R518, R568, R580
RE-218006-GP	18K, 1 PCNT, 1/10W, THICK FILM, 0805,	1	R519
RE-218702-GP	18.7K, 1 PCNT, 1/10W, THICK FILM, 0805,	2	
RE-220006-GP	20K, 1 PCNT, 1/10W, THICK FILM, 1206,	1	R38
RE-222001-GP	22K 1% 1/10W 0805	3	R32, R34, R37
RE-226101-GP	26.1K, 1 PCNT, 1/10W, RMG, 0805,	1	R4
RE-230104-GP	30.1K 1% 1/8W RMG 1206	2	R40, R5
RE-230105-GP	30.1K, 1 PCNT, 1/10W, THICK FILM, 0805,	1	R53
RE-239204-GP	39.2K, 1 PCNT, 1/10W, THICK FILM, 0805,	3	R555, R570, R581
RE-247006-GP	47K 1% 1/10W THK FLM 0805 100V	5	R541, R554, R571, R69, R76
RE-268003-GP	RMG 1/8W 68K 1% 1206	1	R524
RE-291001-GP	91K, 1 PCNT, 1/10W, RMG, 0805,	1	R583
RE-310007-GP	100K 1% 1/10W THK FLM 0805	2	R569, R574
RE-310008-GP	100K 1% 1/8W THK FLM 1206	4	R10, R31, R83, R92
RE-320006-GP	200K, 1 PCNT, 1/10W, THICK FILM, 0805,	1	R590
RE-349901-GP	499K 1% 1/8W THICK FILM 1206	1	R82
RE-410003-GP	1M 1% 1/10W RMG 0805	4	R13, R55, R84, R99
SC-000081-GP	T3X8MM, SELF TAPPING, , , ,	6	
SC-000082-GP	SCREW, BIND, HEAD, M3.2 X 8, , B-TITE,	6	
SC-000083-GP	SCREW, BIND, HEAD, M3.5 X 16, , B-TITE,	10	
SC-000084-GP	SCREW, BIND, SERRATED HEAD, M4X25, B-TITE,	4	
SC-000085-GP	SELF SCREW, 3X8, WITH, SERRATED HEAD, , ,	6	
SC-000086-GP	SCREW, M8X101.5, BZ, , , ,	1	
SC-030002-GP	M3 B-TITE FLAT-CS	2	
SC-030004-GP	M3 X 8 BLK MACHINE	5	
SC-040001-GP	SCREW M4-18 X 10MM, BLK ZN	2	
SW-000088-GP	ROCKER POWER SWITCH	1	
SW-000093-GP	CIRCUIT BREAKER, 5 AMP, ,	1	
SW-000122-GP	SWITCH, 1P2T, ,	1	SW502
SW-000123-GP	SWITCH, 2P2T, ,	1	SW501
WC-0.6023-GP	0.6 JUMPER 23AWG	1	C519
WC-000188-GP	SLEEVE, PVC, 5MM ID, BLK	0	
WC-000339-GP	JUMPER, BARE, 18GA, SOLID, HPR, ,	8	W1, W2, W3, W4, W5, W6, W7, W8
WC-000410-GP	UL1672, AWG#18, BROWN, , , , ,	0	

Part Number	Description	Qty	Ref Des
WC-000411-GP	UL1672, AWG#18, BLUE, , , , ,	0	
WC-000412-GP	GRND WIRE, UL1015 #14, , , , ,	1	
WC-000413-GP	WIRE-FLAT, 10P P1.5 #26, , , , ,	3	J507, J508B, J510
WC-000423-GP	SHRINKAGE TUBE, ID=6MM, UL, , , , ,	0	
XF-000293-GP	POWER TRANSFORMER, 120V, , , , HPR SERIES, ,	1	

Part Number	Description	Qty	Ref Des
CA-647006-GP	CE 16NP 47UF 20% RL	4	C1, C520, C527, C537
CA-810007-GP	1000UF, 20%, 25V, CE, , RLT	2	C18, C19
CA-610009-GP	CE 35V 10UF 20% RL 5 X 11	1	C35
CA-622010-GP	22UF, 20%, 35V, CE, , RLT, 5x11	1	C36
PC-122001-00	PCB, MAIN, HPR122i, , ,	1	
CO-000214-GP	CONN 3 PIN STRAIGHT WAFER	1	J3
CO-000350-GP	WIRE TRAP, RIBBON CABLE, 10 POS, FEMALE, RELEASEABLE	3	J5, J508A, J6
IC-000377-GP	IC 7805, REGULATOR, 5V, ,	1	U3
IC-000378-GP	IC LM7915CT, REGULATOR, -15V, ,	1	U6
IC-000379-GP	IC LM7815CT, REGULATOR, 15V, ,	1	U5
IC-000078-GP	IC LM19, THERMAL SENSOR, , TO-92.	1	U4
HW-000075-GP	FUSE HOLDER, , , , ,	2	F1
PL-000457-GP	SPACER, L=4.0, ELM 3, , ,	1	U4
PT-110002-GP	TRIM, 100, 20 PCNT, 0.15W, ,	1	VR1
QD-000304-GP	DIODE, MUR810 RL 8A, , , , ,	2	D13, D15
QD-000309-GP	TR 2SA1837, 100-320 RL, , , , ,	1	Q4
QD-000310-GP	TR 2SC4793, 100-320-RL, , , , ,	1	Q9
QD-000209-GP	XISTOR NPN 230V 15A 2SC5200	4	Q13, Q15, Q35, Q52
QD-000208-GP	XISTOR PNP 230V 15A 2SA1943	4	Q12, Q14, Q34, Q51
QD-000260-GP	MOSFET, N-CH, 60V, 52A, 52N06V	2	Q21, Q22
MS-000293-GP	10A FUSE, QUICK-ACTING, , ,	1	F1
CA-912001-GP	12000UF, 20 PCNT, 63V, CE, RL, ,	4	C13, C14, C15, C16
RE-.82001-GP	8.2 OHM, 1W, 5 PCNT, AT, RMF,	1	R6
RE-.01002-GP	0.1R, 5 PCNT, 2W, RMF, ATS METAL,	12	R111, R114, R25, R26, R27, R28, R29, R30, R41, R42, R70, R73
QD-000206-GP	DIOD RECT FAST, IN4934 AT	4	D1, D2, D4, D5
CA-410014-GP	0.1UF 10% 50V CER X7R 0805	15	C17, C22, C27, C34, C50, C523, C526, C528, C531, C532, C534, C535, C539, C540, C7
CA-510017-GP	1UF, 20 PCNT, 50V, CC, SMT, 1210	2	C24, C25
CA-015005-GP	15PF, 5 PCNT, 50V, CERAMIC, 0805,	5	C48, C544, C545, C546, C547
CA-122005-GP	CC 50V 220PF 5% 0805	3	C45, C522, C6
CA-422010-GP	0.22U, 10%, 50V, CC, 0805,	2	C10, C30
CA-033003-GP	33PF, 5%, 50V, CC, 0805, 1.2X	2	C11, C12
CA-415006-GP	.15UF, 5 PCNT, 200V, CC, 1210,	1	C2
CA-110007-GP	100P, 5%, 100V, CTC, 0805, 0/30	1	C49
CA-233009-GP	3300P, 5%, 100V, CTC, 1206, 0/30	1	C4
IC-000076-GP	IC LM339, SMD COMPARATORS, , ,	1	U2
IC-000079-GP	IC MC33078, OP-AMP, , SMT,	2	U1, U502
RE-001013-GP	10, 1 PCNT, 1/10W, THICK FILM, 0805,	1	R128
RE-010011-GP	100 1% 1/10W THK FLM 0805 100V	13	R14, R15, R19, R20, R502, R503, R504, R505, R537, R538, R558, R559, R576
RE-210007-GP	10K 1% 1/10W THK FLM 0805	13	R1, R122, R3, R520, R521, R526, R527, R533, R549, R550, R553, R572, R582
RE-410003-GP	1M 1% 1/10W RMG 0805	4	R13, R55, R84, R99
RE-212003-GP	12K 1% 1/10W THK FLM 0805 100V	1	R7
RE-213005-GP	13K, 1 PCNT, 1/10W, RMG, 0805,	3	R36, R89, R90
RE-122010-GP	2.2K 1% 1/10W THK FM 0805 100V	1	R16
RE-222001-GP	22K 1% 1/10W 0805	3	R32, R34, R37
RE-124001-GP	2.4K, 1 PCNT, 1/10W, RMG, 0805,	2	R2, R35
RE-226101-GP	26.1K, 1 PCNT, 1/10W, RMG, 0805,	1	R4
RE-130103-GP	RMG 1/10W 3.01K 1% 0805	1	R33
RE-230105-GP	30.1K, 1 PCNT, 1/10W, THICK FILM, 0805,	1	R53
RE-230104-GP	30.1K 1% 1/8W RMG 1206	2	R40, R5
RE-034801-GP	348R, 1 PCNT, 1/10W, RMG, 0805,	1	R8
RE-047012-GP	470, 1 PCNT, 1/10W, THICK FILM, 0805,	1	R77
RE-147002-GP	4.7K 1% 1/10W THK FLM 0805	5	R39, R56, R66, R79, R97
RE-247006-GP	47K 1% 1/10W THK FLM 0805 100V	5	R541, R554, R571, R69, R76
RE-004753-GP	RMG 1/10W 47.5 OHM 1% 0805	4	R21, R22, R23, R24
RE-159003-GP	5.9K 1% 1/10W THK FLM 0805	2	R96, R98
RE-164901-GP	6.49K, 1 PCNT, 1/10W, RMG, 0805,	1	R48
RE-091002-GP	910R, 1 PCNT, 1/10W, RMG, 0805,	6	R11, R12, R123, R17, R18, R9
RE-310008-GP	100K 1% 1/8W THK FLM 1206	4	R10, R31, R83, R92
RE-212004-GP	12K, 1 PCNT, 1/8W, THICK FILM, 1206,	1	R586
RE-220006-GP	20K, 1 PCNT, 1/10W, THICK FILM, 1206,	1	R38
RE-349901-GP	499K 1% 1/8W THICK FILM 1206	1	R82
QD-000303-GP	DIODE, BAV21WS 250V, , , , ,	3	D3, D6, D9
QD-000201-GP	DIODE LL4148 SM	19	D10, D11, D12, D20, D24, D25, D27, D30, D38, D501, D502, D503, D504, D505, D506, D507, D508, D509, D8
QD-000305-GP	DZ 1/2W, 6.2VB RLZ6.2B, , , , SMT,	2	D14, D7
QD-000306-GP	DZ 1/2W, 7.5VB RLZ7.5B LL, , , , SMT,	1	D26
QD-000307-GP	SMD DIODE, ISR154-400, , , , ,	6	D16, D17, D18, D19, D36, D37
QD-000205-GP	XISTOR PNP 40V 0.2A TR3906 SOT-23	10	Q1, Q10, Q17, Q19, Q36, Q39, Q501, Q502, Q506, Q7
QD-000308-GP	TR MMBTA42 NPN SMD, , , , , SOT-23,	2	Q20, Q5
QD-000204-GP	XISTOR NPN 60V 200MA 3904 SOT-23	11	Q11, Q16, Q2, Q3, Q37, Q38, Q503, Q504, Q505, Q507, Q6
QD-000311-GP	TR MMBTA92 SOT 23 KEC, , , , , ,	2	Q18, Q8
MS-000073-GP	FUSE, FAST, ACTING 5A, SMT, 1206,	2	F4, F5
PC-151002-00	PCB, INPUT, HPR151i, , ,	1	
CO-000349-GP	WIRE HOLDER, RIBBON CABLE, 10 POS, FEMALE,	3	J507, J508B, J510
QD-000300-GP	LED SC, 2.9 X 5.4 XL 0.5 BL, , , , ,	1	LD502
QD-000301-GP	LED, 3MM, GREEN SP, , , , ,	1	LD503
QD-000302-GP	LED SP, 2.9 X 5.4 XL 0.5 RED, , , , ,	1	LD501
PL-000455-GP	LED HOLDER, LED3-11, , , , ,	3	LD501-1, LD502-1, LD503-1
SW-000122-GP	SWITCH, 1P2T, , ,	1	SW502

Part Number	Description	Qty	Ref Des
SW-000123-GP	SWITCH, 2P2T, ,	1	SW501
WC-000413-GP	WIRE-FLAT, 10P P1.5 #26, , , , ,	3	J507, J508B, J510
RE-239204-GP	39.2K, 1 PCNT, 1/10W, THICK FILM, 0805,	3	R555, R570, R581
RE-151006-GP	5.1K, 1 PCNT, 1/10W, THICK FILM, 0805,	6	R522, R523, R528, R529, R588, R589
RE-291001-GP	91K, 1 PCNT, 1/10W, RMG, 0805,	1	R583
CA-410018-GP	CM 250V .1UF 5% RL	2	C8, C9
QD-000227-GP	BRIDGE RECT 400V 25A	2	BR1, BR2
RE-001012-GP	100HM, 1/4W, 1%, AT, RMF,	2	R126, R127
CO-000213-GP	CONN 2 PIN STRAIGHT WAFER	1	J509A
CO-000204-GP	CONN XLR F VERT PLASTIC	2	J503, J504
CO-000058-GP	XLR, CONNECTOR, 3PM, , ,	4	J501, J502, J505, J506
PT-250003-GP	VR 5K, XVB12111YNPVB25F, , , ,	1	VR501
CA-410023-GP	0.1UF, 5%, 63V, CM, , RBT, 7.5X6	1	C533
CA-422011-GP	0.22U, 5%, 63V, CM, , RBT, 7.5X	14	C505, C506, C507, C508, C509, C510, C511, C512, C513, C514, C515, C516, C529, C536
CA-368006-GP	.068UF, 5 PCNT, 50V, FILM, ,	1	C538
CA-747009-GP	470UF, 20%, 16V, CE, , RLT	2	C542, C543
CA-710013-GP	100U, 20%, 25V, CE, , 5X11, RLT	1	C530
CA-110005-GP	CC 50V 100PF 5% 0805 1.2	1	C548
CA-147006-GP	470PF 5% 50V CER NPO	4	C501, C502, C503, C504
IC-000380-GP	IC TL072, OPAMP, DUAL, SO-8,	4	U501, U504, U505, U508
IC-000381-GP	IC TL074CD-SO14, OPAMP, QUAD, SO-14,	2	U503, U507
IC-000075-GP	IC VOLTAGE REG, +5, LM78L05, SMT,	1	U509
IC-000077-GP	IC LM13700M, , , SMT,	1	U506
RE-000003-GP	RMG 1/10W 0 OHM 5% 0805	4	R539, R544, R545, R564
RE-310007-GP	100K 1% 1/10W THK FLM 0805	2	R569, R574
RE-111801-GP	1.18K, 1 PCNT, 1/10W, RMG, 0805,	2	R575, R578
RE-112001-GP	RMG 1/10W 1.2K 1% 0805	3	R510, R516, R517
RE-212703-GP	12.7K, 1 PCNT, 1/10W, THICK FILM, 0805,	2	R501, R511
RE-015008-GP	150, 1 PCNT, 1/10W, THICK FILM, 0805,	1	R587
RE-115008-GP	1.5K, 1 PCNT, 1/10W, THK FLM, 0805, 100V	1	R543
RE-215003-GP	15K, 1 PCNT, 1/10W, RMG, 0805,	3	R518, R568, R580
RE-218006-GP	18K, 1 PCNT, 1/10W, THICK FILM, 0805,	1	R519
RE-218702-GP	18.7K, 1 PCNT, 1/10W, THICK FILM, 0805,	2	
RE-120004-GP	RMG 1/10W 2K 1% 0805	1	R566
RE-033001-GP	330 OHM, 1 PCNT, 1/10W, RMG, 0805,	2	R531, R532
RE-133008-GP	3.3K, 1 PCNT, 1/10W, THICK FILM, 0805,	1	R525
RE-143202-GP	4.32K, 1 PCNT, 1/10W, RMG, 0805,	1	R557
RE-145303-GP	4.53K, 1 PCNT, 1/10W, RMG, 0805,	1	R579
RE-152302-GP	5.23K, 1 PCNT, 1/10W, THICK FILM, 0805,	1	R573
RE-162001-GP	6.2K, 1 PCNT, 1/10W, RMG, 0805,	1	R577
RE-063405-GP	634 OHMS 1% 1/10W 0805	1	R567
RE-268003-GP	RMG 1/8W 68K 1% 1206	1	R524
RE-169802-GP	6.98K, 1 PCNT, 1/10W, THK FLM, 0805, 100V	1	R546
RE-182007-GP	8.2K, 1 PCNT, 1/10W, THICK FILM, 0805,	1	R565
RE-001009-GP	10 1% 1/8W THK FLM 1206	2	R584, R585
RE-211305-GP	11.3K .1% 1/10W RMG 0805	8	R506, R507, R508, R509, R512, R513, R514, R515
CH-000550-GP	PANEL, AC, , HPRI,	1	
CH-000548-GP	PANEL, INPUT, , HPR151i,	1	
WC-000188-GP	SLEEVE, PVC, 5MM ID, BLK	0	
WC-000423-GP	SHRINKAGE TUBE, ID=6MM, UL, , , , ,	0	
WC-000410-GP	UL1672, AWG#18, BROWN, , , , ,	0	
WC-000411-GP	UL1672, AWG#18, BLUE, , , , ,	0	
XF-000294-GP	POWER TRANSFORMER, 230V, , , , HPR SERIES, ,	1	
CO-000211-GP	AC INLET 250V 15A	1	
PL-000391-GP	KNOB, GAIN, HPR SERIES, , ,	1	
NW-040003-GP	I/T WASHER M4X0.4X8, YZ	1	
NW-040002-GP	SPRING WASHER M4 X 7	1	
NW-000070-GP	M3, NUT, , , ,	3	
NW-000072-GP	NUT, HEX, M4, ,	1	
SC-030004-GP	M3 X 8 BLK MACHINE	5	
SC-030002-GP	M3 B-TITE FLAT-CS	2	
SC-000081-GP	T3X8MM, SELF TAPPING, , , ,	6	
SC-000082-GP	SCREW, BIND, HEAD, M3.2 X 8, , B-TITE,	6	
SC-000084-GP	SCREW, BIND, SERRATED HEAD, M4X25, B-TITE,	4	
SC-000085-GP	SELF SCREW, 3X8, WITH, SERRATED HEAD, , ,	6	
SC-000086-GP	SCREW, M8X101.5, BZ, , , ,	1	
PL-000454-GP	INSULATION SHEET IC, , , SILPAD 800, ,	5	
CH-000173-GP	COVER, XFMR, STEEL, LARGE	1	
CH-000489-GP	PLATE-SPRING STEEL, , , ,	5	
HW-000102-GP	BRASS POST, D6X10, , , ,	3	
PL-000458-GP	SPONGE CUSHION, , , , ,	2	
PL-000066-GP	EVA GASKET, 5X500, , , ,	3	
PL-000456-GP	SPRINGSEAT, TRANSISTOR, HPR, NYLON, ,	5	
LB-000530-GP	PC INLAY, WARNING LABEL, , ,	1	
PL-000327-GP	PAD, XFMR, EPDM 40A, 1/8" THK, BLACK,	2	
SW-000119-GP	CIRCUIT BREAKER, 3A, 230V, HPR,	1	
SW-000088-GP	ROCKER POWER SWITCH	1	
CH-000490-GP	HEATSINK, 381X189.2X38.1, , HPR,	1	

Part Number	Description	Qty	Ref Des
PL-000152-GP	CABLE TIE, ISA	4	
WC-000412-GP	GRND WIRE, UL1015 #14, , , , ,	1	
SC-000083-GP	SCREW, BIND, HEAD, M3.5 X 16, , B-TITE,	10	
WC-000339-GP	JUMPER, BARE, 18GA, SOLID, HPR, ,	8	W1, W2, W3, W4, W5, W6, W7, W8
WC-0.6023-GP	0.6 JUMPER 23AWG	1	C519
CO-000347-GP	TERMINAL BLOCK, 5MM, 5POS(1X5), FEMALE, RIGHT ANGLE	1	J2
CO-000352-GP	TERMINAL BLOCK, 5MM, 2POS (1X2), FEMALE, RIGHT	1	J4
RE-320006-GP	200K, 1 PCNT, 1/10W, THICK FILM, 0805,	1	R590
SC-040001-GP	SCREW M4-18 X 10MM, BLK ZN	2	