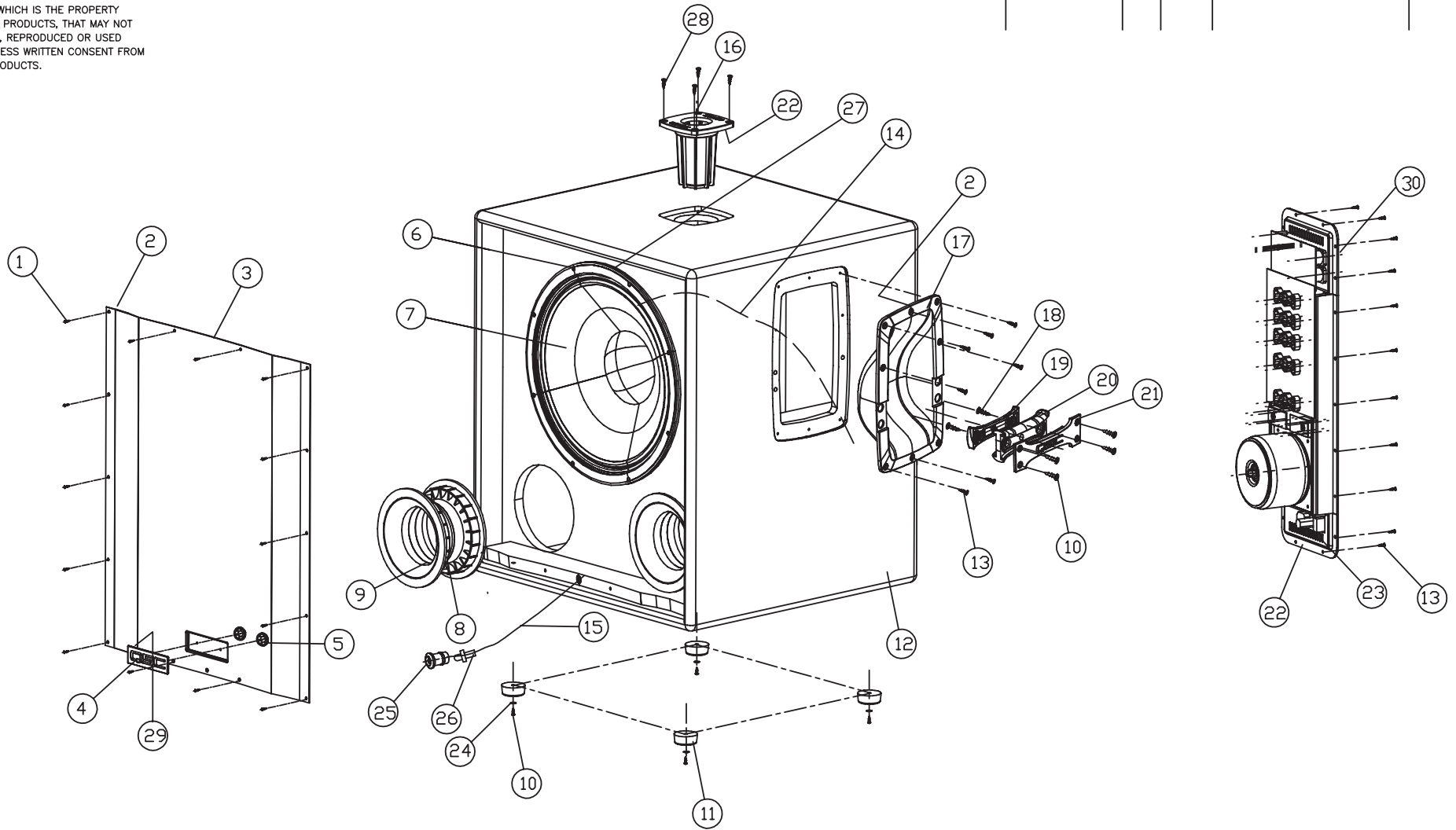




1 2 3 4 5 6  
 WORK TO DIMENSIONS. REMOVE ALL BURRS. ALL CASTINGS AND MOULDING TO BE FREE FROM SINKS AND BLEMISHES.

GPE EN. NO.	REV	ZONE	DESCRIPTION	DATE
	1		DRAWING RELEASE	Aug.16.06
	2		UPDATE ITEM:5,13,14	Nov.29.06

A  
 THIS DOCUMENT CONTAINS PROPRIETARY INFORMATION WHICH IS THE PROPERTY OF QSC AUDIO PRODUCTS, THAT MAY NOT BE DISCLOSED, REPRODUCED OR USED WITHOUT EXPRESS WRITTEN CONSENT FROM QSC AUDIO PRODUCTS.



F  
 GEOMETRIC TOLERANCE & POSITIONAL TOLERANCE SHOULD BE IN ACCORDANCE WITH GB/T 1184-1996

**QSC** QSC AUDIO PRODUCTS, INC.  
 1675 MACARTHUR BOULEVARD  
 COSTA MESA, CA 92626

UNLESS OTHERWISE SPECIFIED : TOLERANCES ARE		MODEL	USAGE	MATERIAL:	SIGNATURE	DATE	SIGNATURE	DATE	TITLE: EXPLODED DRAWING FOR HPR151i				
1 decimal place	±0.1mm	31 - 120mm	±0.3mm	HPR151i	UNLESS SPECIFIED COMPLY WITH THE <b>RoHS</b>	DRAWN:Huisheng Wu	Aug.16.06	CHECKED:		PART NO.			
1 - 5mm	±0.1mm	121 - 315mm	±0.5mm		FINISH:	CHECKED:		CHECKED:		SCALE	SIZE	DRAWING NO.	REV
6 - 30mm	±0.2mm	OVER 315mm	±0.8mm	ALL DIMENSIONS ARE IN MM	DO NOT SCALE DRAWING	APPROVED:				NTS	A4	Exploded_Hpr151i	2
										PAGE 1 OF 2			

Item Number	Component Description	Component Item Number	Qty
1	SCREW,TRUSS HEAD,M4X16,JHC030-00,,	SC-000099-GP	14
2	GASKET,1000X10X2MM,EVA B,,,	PL-000062-GP	5
3	GRILL,,,HPR151W,	CH-000478-GP	1
4	LOGO,HPR SERIES,,,,	PL-000440-GP	1
5	S/L WASHER,M9.7X22X0.5,,,	NW-000105-GP	2
6	SCREW,M5X34,HEX-SOCKET,HEAD DIA 11XH5,BLK,	SC-000095-GP	8
7	WOOFER,15",PAPER,FERRITE,CELESTION,FTR-3070E,T5468_GPE	SP-000079-GP	1
8	PAPER TUBE,FOR HPR 3WAY,15MM,,	MS-000077-GP	2
9	PORT TUBE,FOR HPR,,,,	PL-000071-GP	4
10	SCREW,M5X25,PAN HEAD,DIA 8XH2.5,BLACK,	SC-000094-GP	12
11	FEET,HPR SUBS,,RUBBER,,	PL-000445-GP	4
12	CABINET,FOR HPR15 SUB,,,,	SB-000049-GP	1
13	SCREW WOOD,M4X20,BIND HEAD BZ,,,	SC-000100-GP	36
14	#16 AWG WIRE,UL1015 PIN,T65-6Y-2,,,,	WC-000417-GP	1
15	WIRE,BLACK&BLACK,26 AWG TWIN,,,1080MM,UL2468	WC-000420-GP	1
16	HPR SUB POLE MOUNT	CH-000570-GP	1
17	HANDLE CAP,FOR HPR,,,,	PL-000076-GP	2
18	SCREW,M5X12,PH BLK ZN,,,	SC-000096-GP	4
19	BOTTOM HANDLE,FOR HPR,SIDE HANDLE,,	CH-000523-GP	2
20	RUBBER GRIP,FOR HPR SIDE HANDLE,,,,	PL-000072-GP	2
21	REAR HANDLE,FOR HPR,ENDCAP,,	CH-000493-GP	2
22	EVA GASKET,5X500,,,,	PL-000066-GP	4
23	AMP MODULE ASSY,,HPR151i,120V,SUBWOOFER, 15" SUB	WP-151001-00	1
24	SPRING WASHER,M5X1.2X8.5,MM ZNC,,	NW-000107-GP	4
25	LED HOLDER,FOR HPR,,,,	PL-000479-GP	1
26	LED,3MM,BLUE SP,SLR343BB T 225419 ROHM,,,	QD-000312-GP	1
27	GASKET,1300X10X4MM,EVA BK,,,	PL-000063-GP	1
28	SCREW,PH,M5X35MM,BLACK,,	SC-000097-GP	4
29	FOAM STRIP,MP1,406.4X6X4,SP8296,,	PL-000065-GP	1
30	INPUT/OUTPUT PLATE (BARE), HPR151i	CH-000548-GP	1