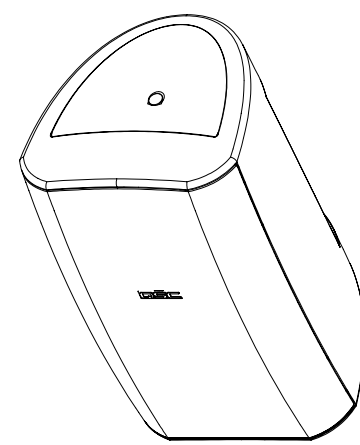
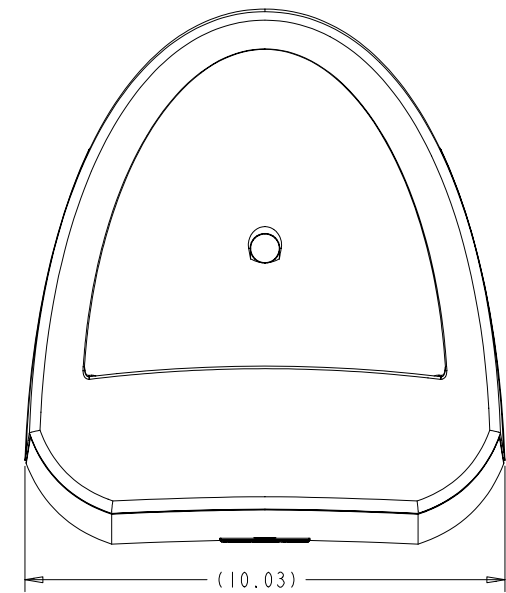
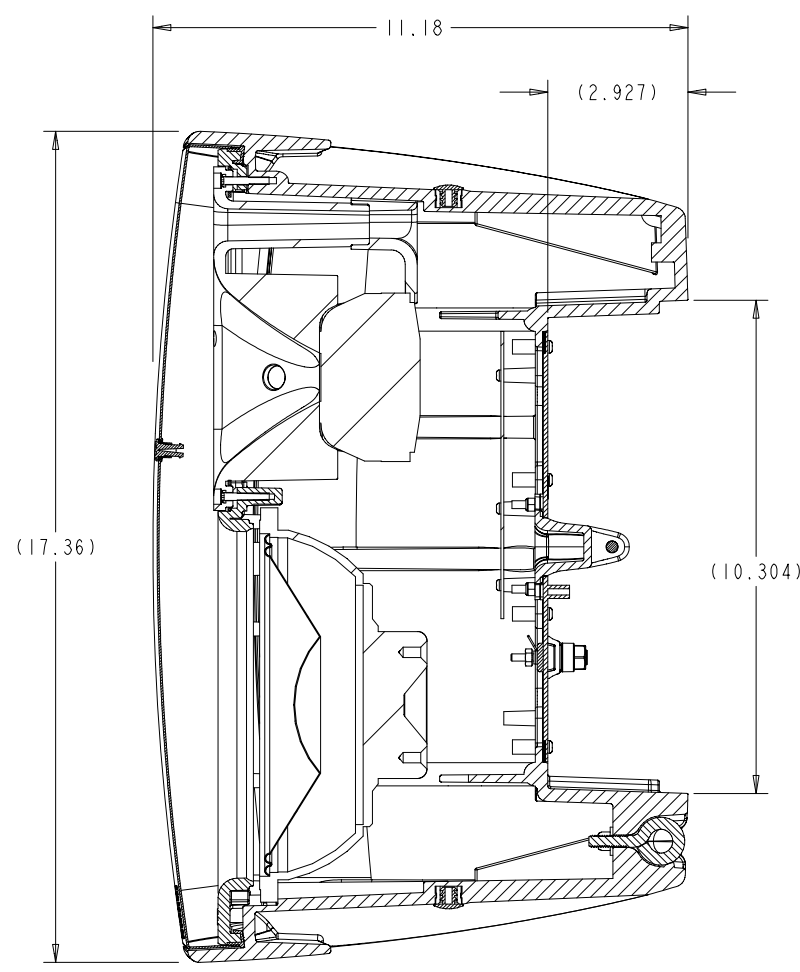
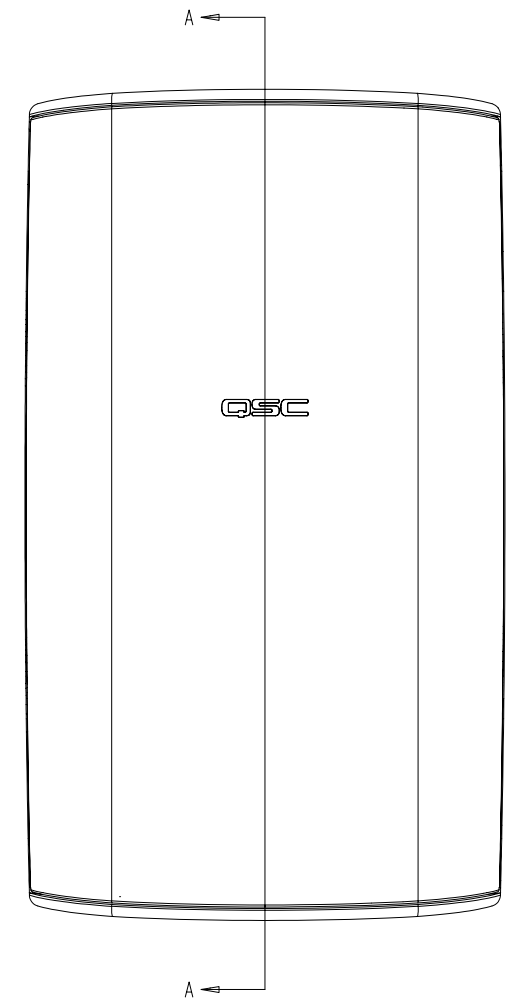


THIS DOCUMENT CONTAINS PROPRIETARY INFORMATION WHICH IS THE PROPERTY OF QSC AUDIO PRODUCTS. IT MAY NOT BE DISCLOSED, REPRODUCED OR USED WITHOUT EXPRESS WRITTEN CONSENT FROM QSC AUDIO PRODUCTS.

REVISIONS				
REV	DESCRIPTION	EFF DATE	CHK	APPROVED DATE
6	ADDED WADDING AND NOTE NO. 6.	20-May-03		
7	ADDED NOTE NO. 7.	18-Jul-03		
A	PROD. RELEASE PER ECO 6469 MP	2-8-05	SE	DD



PART NUMBER	COLOR
WP-000239-01	BLACK
WP-000239-02	WHITE



SECTION A-A

ITEM	PART NUMBER	DESCRIPTION	QTY
40	WP-000109-00	PCB, CROSSOVER, C3-8, HO	1
39	SP-000031-00	WAVE-GUIDE, HI OUTPUT, C3-8	1
38	SP-000021-00	COMPRESSION DRIVER, 1", B&C, DE-10	1
37	SP-000009-00	WOOFER, 8 IN, B&C, NEO	1
36	SC-000011-23	SCREW, PHILLIPS, PANHEAD, M4X1.4, 23 L, BLK	16
35	SC-000011-15	SCREW, PHILLIPS, PANHEAD, M4X1.4, 15 L, BLK	8
34	SC-000004-15	SCREW, PHILLIPS, PANHEAD, M5X0.8, 15 L	2
33	SC-000002-18	SCREW, PHILLIPS, PANHEAD, M4X1.4, 18 L	8
32	SC-000000-12	SCREW, PHILLIPS, PANHEAD, M3.5X1.25, 12 L	6
31	SB-000004-XX	BAFFLE, C3-8	1
30	SB-000003-XX	BUCKET, AD-S82	1
29	PL-000258-00	PLUG, WAVE GUIDE, HI OUTPUT, C3-8	2
28	PL-000239-00	GASKET, BAFFLE, NEOPRENE, BLACK	1
27	PL-000238-00	GASKET, WAVE-GUIDE	1
26	PL-000237-00	GASKET, TERMINAL PLATE	1
25	PL-000236-XX	PLUG, INSERT, .375	2
24	PL-000235-00	GASKET, CATCH	1
23	PL-000217-01	BASE, BINDING POST, C3-8	1
22	PL-000216-XX	FLARE, PORT, C3-8	1
21	PL-000215-02	NUT, WITH INSERT, BINDING POST	1
20	PL-000215-01	NUT, WITH INSERT, BINDING POST	1
19	PL-000214-00	BACKPLATE, BINDING POST	1
18	PL-000213-XX	BADGE, .45 X 1.87	1
17	PL-000212-XX	RECEPTACLE, BADGE	1
16	NW-250520-04	WASHER, M6, SS	1
15	NW-000026-00	WASHER, SPLIT-LOCK, M4, BRASS	2
14	NW-000024-00	LOCKNUT, M6, W/NYLON, SS	1
13	NW-000023-00	NUT, M4 X 0.7, BRASS	2
12	NW-000022-00	LOCKNUT, M4 X 0.7, W/NYLON, SS	4
11	MS-000211-00	FIBERFILL, POLYESTER, 7.1 X 5.9 X 2.0	2
10	MS-000210-00	FIBERFILL, POLYESTER, 13.4 X 9.9 X 2.0	1
9	HW-000060-00	INSERT, M10 X 1, BRASS	2
8	HW-000041-00	EYE BOLT, 6MM, SS	1
7	HW-000040-00	RETAINER, 1D, .312	1
6	CO-000297-00	FASTON, MALE, .210 X .032	2
5	CO-000268-00	POST, BINDING	2
4	CH-000276-00	PIN, CATCH, SS	1
3	CH-000220-XX	PLATE, TERMINAL, C3-8	1
2	CH-000219-XX	CATCH, C3-8	1
1	CH-000215-XX	GRILLE, C3-8	1

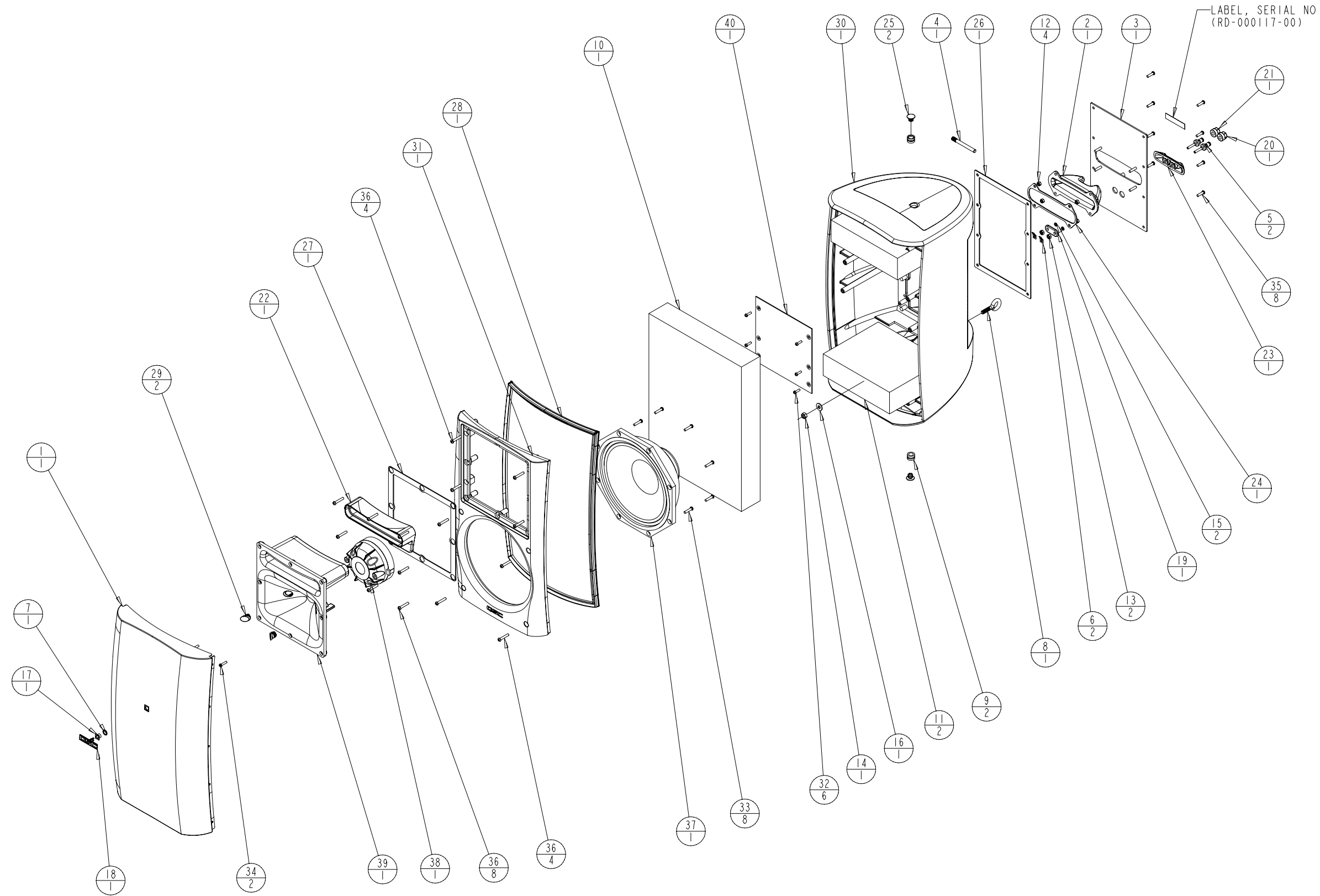
BILL OF MATERIALS

UNLESS OTHERWISE SPECIFIED DIMENSIONS ARE IN INCHES.		CONTRACT NO.		QSC AUDIO PRODUCTS, INC. 1675 MACARTHUR BOULEVARD COSTA MESA, CA 92626	
TOLERANCES ARE: DECIMALS DECIMALS ANGLES .XX ± .02 .XXX ± .010 ± 1/2 DEBURR EDGES .010 R MAX		APPROVALS DATE			
MATERIAL		DRAWN B. HAWKINS 08-Feb-05		ASSY, AD-S82H SIZE CAGE CODE DWG NO. REV D 00PW4 WP-000239-XX A	
FINISH		CHECKED P. WRIGHT 2-07-05			
DO NOT SCALE DRAWING		MFG ENG R. BALTHAZAR 2-7-05		SCALE 0.500 WP-000239-XX.A.0 SHEET 1 of 2	
		ISSUED D. DELARM 2-08-05		MODEL INFO DRAWING INFO	

- COLORS: BLACK PER RD-000120-00, WHITE PER RD-000121-00
- MAXIMUM ALLOWABLE SINKS/BULDGES: .003 INCH
- LOGO ORIENTATION; MAXIMUM ALLOWABLE ANGLE FROM HORIZONTAL: +/- 1 DEGREE
- MAXIMUM ALLOWABLE GAP BETWEEN GRILLE AND BUCKET: .02 INCH
- BUCKET FINISH PER QSC RD-000122-00.
- ASSEMBLE WADDING IN 3 PLACES. APPLY 3M4550 EPOXY TO INSIDE OF BUCKET FOR SECURING 7.1 X 5.9 X 2 WADDING.
- REFERENCE QSC DRIVER SPECIFICATION, WOOFER: RD-000138-00, FOR PERFORMANCE CHARACTERISTICS.

NOTE: UNLESS OTHERWISE SPECIFIED

THIS DOCUMENT CONTAINS PROPRIETARY INFORMATION WHICH IS THE PROPERTY OF OSC AUDIO PRODUCTS. THAT MAY NOT BE DISCLOSED, REPRODUCED OR USED WITHOUT EXPRESS WRITTEN CONSENT FROM OSC AUDIO PRODUCTS.



SCALE 0.250

SIZE	CAGE CODE	DWG NO.	REV
D	00PW4	WP-000239-XX	A
SCALE 0.500		WP-000239-XX.main.A.0	SHEET 2 of 2
DRAWING INFO			

DWG NO. WP-000239-XX
REV A