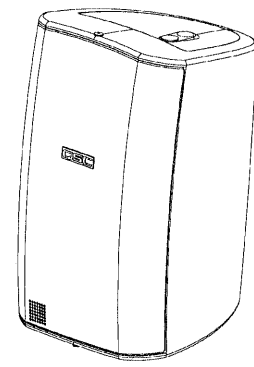
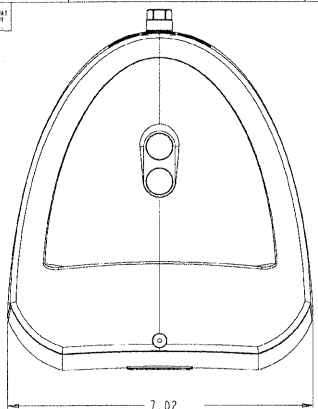
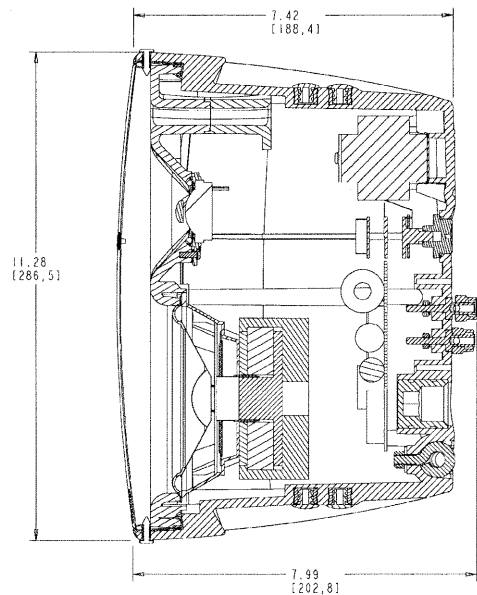
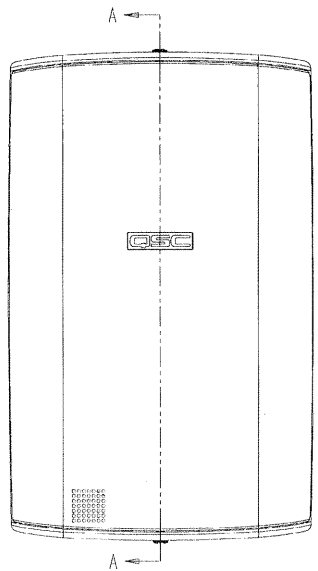


THIS DOCUMENT CONTAINS PROPRIETARY INFORMATION WHICH IS THE PROPERTY OF QSC AUDIO PRODUCTS. IT MAY NOT BE DISCLOSED, REPRODUCED OR USED WITHOUT EXPRESS WRITTEN CONSENT FROM QSC AUDIO PRODUCTS.

| REVISIONS | | | | |
|-----------|------------------------------------|----------|-----|---------------|
| REV | DESCRIPTION | EFF DATE | CHK | APPROVAL DATE |
| A | PRODUCTION RELEASE PER ECO 8473 AA | 2-11-05 | SE | |
| B | REVISED PER ECO 7141 JD | 12-22-06 | | |



| PART NUMBER | COLOR |
|--------------|-------|
| WP-000407-01 | BLACK |
| WP-000407-02 | WHITE |



SECTION A-A

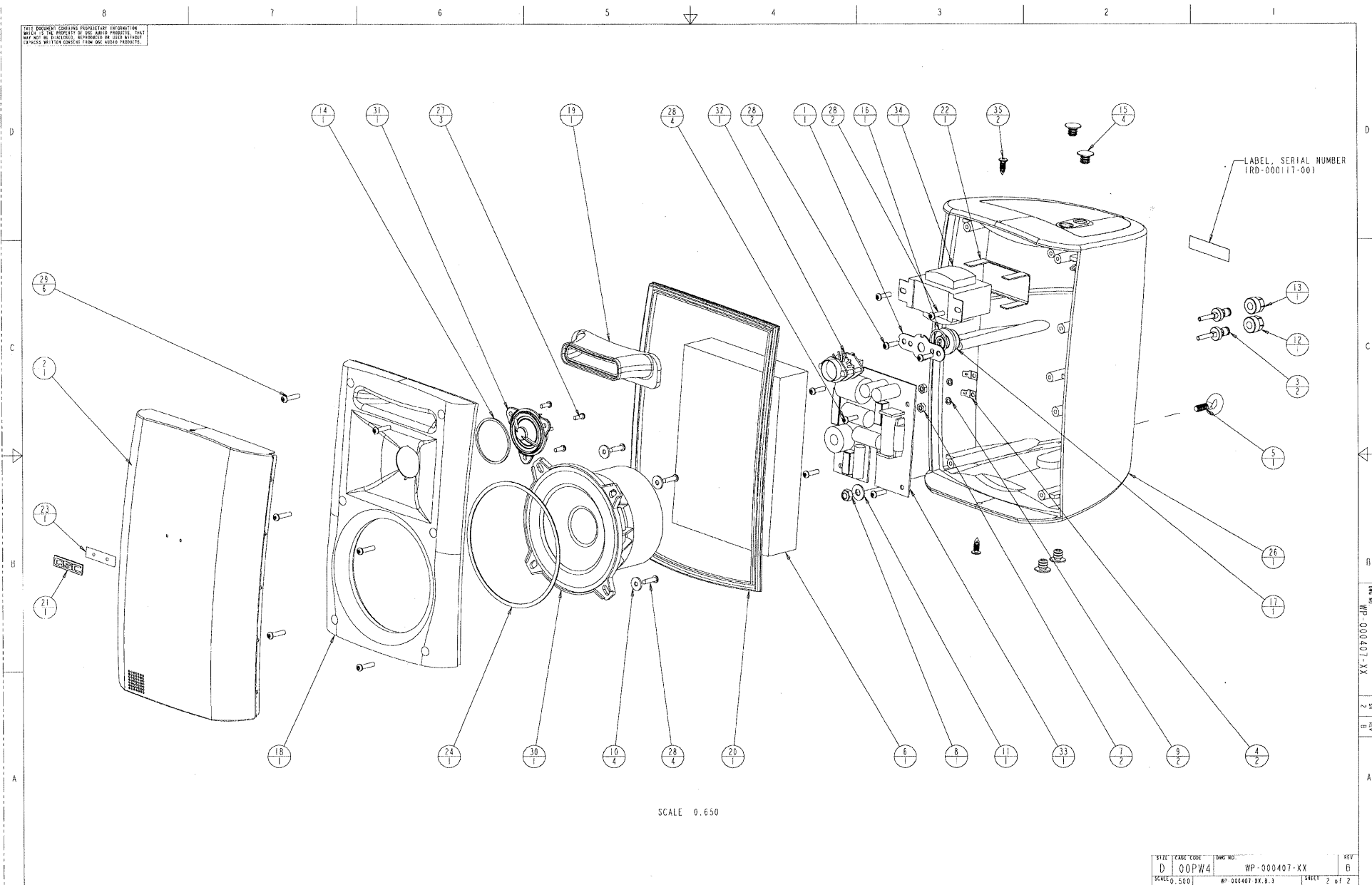
| ITEM | PART NUMBER | DESCRIPTION | QTY |
|------|--------------|---|-----|
| 35 | PL-000516-XX | CLIP, CHRISTMAS TREE, .167 | 2 |
| 34 | XF-000205-00 | TRANSFORMER, 30W | 1 |
| 33 | WP-000253-00 | PEB, AD-SS2 ASW | 1 |
| 32 | SW-000103-00 | SWITCH, 3FWD TAP | 1 |
| 31 | SP-000061-00 | TWEETER, 1 IN | 1 |
| 30 | SP-000058-00 | WOOFER, 5.25 IN, FG CONE | 1 |
| 29 | SC-000011-18 | SCREW, PHILLIPS, PANHEAD, #4X1.4 | 6 |
| 28 | SC-000002-15 | SCREW, PHILLIPS, PANHEAD, #4X1.4; 15 L | 12 |
| 27 | SC-000000-10 | SCREW, PHILLIPS, PANHEAD, #3.5X1.25, 10 L | 3 |
| 26 | SH-000015-XX | HOUSING, AD-SS2 | 1 |
| 24 | PL-000374-00 | GASKET, WOOFER, 5 INCH | 1 |
| 23 | PL-000366-01 | GASKET, BADGE, AD-SS2 | 1 |
| 22 | PL-000362-00 | GASKET, TRANSFORMER, AD-SS2 | 1 |
| 21 | PL-000313-XX | LOGO, BADGE, AD-SS2 | 1 |
| 20 | PL-000312-00 | GASKET, BAFFLE, AD-SS2 | 1 |
| 19 | PL-000311-00 | PORT, FLARE, AD-SS2 | 1 |
| 18 | PL-000310-00 | BAFFLE, AD-SS2 | 1 |
| 17 | PL-000308-XX | KNOB, 3FWD TAP SWITCH | 1 |
| 16 | PL-000244-00 | O-RING, .018, TEFLON | 1 |
| 15 | PL-000236-XX | PLUG, INSERT, .315 | 4 |
| 14 | PL-000234-00 | GASKET, TWEETER | 1 |
| 13 | PL-000215-02 | NUT, WITH INSERT, BINDING POST | 1 |
| 12 | PL-000215-01 | NUT, WITH INSERT, BINDING POST | 1 |
| 11 | NW-250520-04 | WASHER, MG, SS | 1 |
| 10 | NW-000027-00 | WASHER, M4, SS, FLAT | 4 |
| 9 | NW-000026-00 | WASHER, SPLIT-LOCK, M4, BRASS | 2 |
| 8 | NW-000024-00 | LOCKNUT, MG, NYLON, SS | 1 |
| 7 | NW-000023-00 | NUT, M4 X 0.1, BRASS | 2 |
| 6 | MS-000214-00 | FIBERFILL, POLYESTER, 7 X 5 X 1.5 | 1 |
| 5 | HW-000062-XX | EYE BOLT, M6X1 | 1 |
| 4 | CO-000297-00 | TASTON, M4E, 210 X .032 | 2 |
| 3 | CO-000268-00 | POST, BINDING | 2 |
| 2 | CH-000361-XX | GRILLE, AD-SS2 | 1 |
| 1 | CH-000360-00 | PLATE, MOUNTING, SWITCH | 1 |

- 1. HOUSING FINISH PER QSC RD-000122-00.
- 2. MAXIMUM ALLOWABLE GAP BETWEEN GRILLE AND HOUSING: .02 INCHES.
- 3. MAXIMUM ALLOWABLE SINKS: .003 INCHES
- 4. COLORS: BLACK PER RD-000120-00, WHITE PER RD-000121-00
- 5. PAD PRINT ARTWORK PER RD-000141-00
- 6. FIBERFILL: PLACEMENT MAY NOT BLOCK PORT TUBE.
- 7. REFERENCE QSC DRIVER SPECIFICATION, FOR WOOFER SEE SP-000058-00 AND FOR TWEETER SEE SP-000061-00 FOR PERFORMANCE CHARACTERISTICS.

NOTE: UNLESS OTHERWISE SPECIFIED

| UNLESS OTHERWISE SPECIFIED DIMENSIONS ARE IN INCHES: | | CONTRACT NO. | | QSC AUDIO PRODUCTS, INC. | |
|--|-----------|-------------------|---------|--|-----------------|
| DECIMALS | FRACTIONS | APPROVALS | DATE | 1815 MACARTHUR BOULEVARD COSTA MESA, CA 92626 | |
| .XX | 1/16 | BY: A. ARANDA | 2-04-05 | AD-SS2 GENERIC ASSY WITH ZYLUX SPEAKER | |
| .XXX | 1/32 | CHKD: P. WRIGHT | 2-01-05 | | |
| DEFINITION: 010 & MAX | | BY: D. BALTHAZAR | 2-07-05 | WP-000407-XX | |
| | | CHKD: D. DELARM | 2-14-05 | | |
| MATERIAL: NONE | | TESTED: D. DELARM | 2-14-05 | SIZE: 00PW4 | REV: B |
| FINISH: NONE | | | | SCALE: 0.500 | SHEET: 1 of 2 |
| DO NOT SCALE DRAWING | | | | MODEL INFO: 2 | DRAWING INFO: 1 |

THIS DOCUMENT CONTAINS PROPRIETARY INFORMATION
 WHICH IS THE PROPERTY OF 3M AND IS PROVIDED TO YOU
 ONLY AS A FAVOR. IT IS NOT TO BE REPRODUCED OR
 TRANSMITTED IN ANY FORM OR BY ANY MEANS
 WITHOUT THE EXPRESS WRITTEN PERMISSION OF 3M.



SCALE 0.650

| | | | | | | | |
|-------|-------|------------------|-------|--------------|--------------|--------------|---|
| SIZE | D | CAGE CODE | 00PW4 | DWG NO. | WP-000407-KX | REV | B |
| SCALE | 0.500 | WP-000407-KX.B.3 | | SHEET 2 of 2 | | DRAWING INFO | |

ROBERT_BECKER.BOM Wrapped Ref Des (Current Date,
Sort by Item Seq)

Current BOM
as of 10-MAY-07 10.44.35 AM

| | | | | |
|------------------------------------|---|----------------------|--------------------------|---------------|
| Assembly Item Number: WP-000407-01 | Assembly Description: ASSEMBLY,W/ZYLUX SPEAKER,AD-S52T,,BLACK | Assembly Revision: B | Assy Rev Date: 22-DEC-06 | Org: COSTA ME |
|------------------------------------|---|----------------------|--------------------------|---------------|

| | Part Number | Rev | Description | Item No. | Eff Date | Qty | Op Sequence | Comments | Ref Des |
|----|--------------|-----|--|----------|-------------|-------|-------------|----------|---------|
| 1 | CH-000360-00 | A | PLATE, MOUNTING, SWITCH | 1 | 30-MAY-2006 | 1.00 | 1 | | |
| 2 | CH-000361-01 | B | GRILLE, , BLACK, AD-S52, | 2 | 30-MAY-2006 | 1.00 | 1 | | |
| 3 | CO-000268-00 | 1 | SRV - BINDING POST | 3 | 30-MAY-2006 | 2.00 | 1 | | |
| 4 | CO-000297-00 | 1 | SRV - FASTON, MALE, 0.210 X 0.032 | 4 | 30-MAY-2006 | 2.00 | 1 | | |
| 5 | HW-000062-01 | A | EYE BOLT, M6 X , BLACK | 5 | 30-MAY-2006 | 1.00 | 1 | | |
| 6 | MS-000214-00 | A | FIBERFILL, POLYESTER, 7X5X1.5 | 6 | 30-MAY-2006 | 1.00 | 1 | | |
| 7 | NW-000023-00 | A | NUT, M4 X 0.7, BRASS | 7 | 30-MAY-2006 | 2.00 | 1 | | |
| 8 | NW-000024-00 | A | LOCKNUT, M6, SS, W/NYLON, | 8 | 30-MAY-2006 | 1.00 | 1 | | |
| 9 | NW-000026-00 | A | WASHER, SPLIT-LOCK, M4, BRASS | 9 | 30-MAY-2006 | 2.00 | 1 | | |
| 10 | NW-000027-00 | A | WASHER, M4, SS, FLAT | 10 | 30-MAY-2006 | 4.00 | 1 | | |
| 11 | NW-250520-04 | A | SRV - WASHER, M6, SS | 11 | 30-MAY-2006 | 1.00 | 1 | | |
| 12 | PL-000215-01 | A | NUT W/INSERT, BINDING POST, BLK | 12 | 30-MAY-2006 | 1.00 | 1 | | |
| 13 | PL-000215-02 | A | NUT W/INSERT, BINDING POST, RED | 13 | 30-MAY-2006 | 1.00 | 1 | | |
| 14 | PL-000234-00 | 1 | GASKET, TWEETER, AUDAX, POLYETHYLENE, BLACK, | 14 | 30-MAY-2006 | 1.00 | 1 | | |
| 15 | PL-000236-01 | A | PLUG, INSERT, 0.375" OD, SANTOPRENE, BLACK, | 15 | 30-MAY-2006 | 4.00 | 1 | | |
| 16 | PL-000244-00 | 1 | O-RING, 018, , TEFLON, , | 16 | 30-MAY-2006 | 1.00 | 1 | | |
| 17 | PL-000308-01 | A | KNOB, XFMR TAP SWITCH, BLACK | 17 | 30-MAY-2006 | 1.00 | 1 | | |
| 18 | PL-000310-00 | B | BAFFLE, AD-S52 | 18 | 30-MAY-2006 | 1.00 | 1 | | |
| 19 | PL-000311-00 | A | PORT, FLARE, AD-S52 | 19 | 30-MAY-2006 | 1.00 | 1 | | |
| 20 | PL-000312-00 | A | GASKET, BAFFLE, AD-S52 | 20 | 30-MAY-2006 | 1.00 | 1 | | |
| 21 | PL-000313-01 | A | LOGO, BADGE, AD-S52, BLACK | 21 | 30-MAY-2006 | 1.00 | 1 | | |
| 22 | PL-000362-00 | A | GASKET, TRANSFER, AD-S52 | 22 | 30-MAY-2006 | 1.00 | 1 | | |
| 23 | PL-000366-01 | A | GASKET, BADGE, AD-S52 | 23 | 30-MAY-2006 | 1.00 | 1 | | |
| 24 | PL-000374-00 | A | GASKET, WOOFER, 5 INCH | 24 | 30-MAY-2006 | 1.00 | 1 | | |
| 25 | SB-000015-01 | B | HOUSING, AD-S52, BLACK | 26 | 30-MAY-2006 | 1.00 | 1 | | |
| 26 | SC-000000-10 | A | SCREW, P/P, M3.5 X 1.25, 10L | 27 | 30-MAY-2006 | 3.00 | 1 | | |
| 27 | SC-000002-15 | A | SCREW, P/P, M4 X 1.4, 15L | 28 | 30-MAY-2006 | 12.00 | 1 | | |
| 28 | SC-000011-18 | A | SCREW, P/P, M4 X 1.4 | 29 | 30-MAY-2006 | 6.00 | 1 | | |
| 29 | SP-000058-00 | B | WOOFER, 5" , , ZYLUX, AD-S52 | 30 | 30-MAY-2006 | 1.00 | 1 | | |
| 30 | SP-000061-00 | B | TWEETER, 1" , , ZYLUX, AD-S52/82 | 31 | 30-MAY-2006 | 1.00 | 1 | | |
| 31 | SW-000103-00 | A | SWITCH, XFMR TAP | 32 | 30-MAY-2006 | 1.00 | 1 | | |
| 32 | WP-000253-00 | A | PCB ASSY, X-OVER, AD-S52, , | 33 | 30-MAY-2006 | 1.00 | 1 | | |
| 33 | XF-000205-00 | A | TRANSFORMER, 30W | 34 | 30-MAY-2006 | 1.00 | 1 | | |
| 34 | PL-000516-01 | A | CLIP, CHRISTMAS TREE, .187, , BLACK, | 35 | 22-DEC-2006 | 2.00 | 1 | | |

ROBERT_BECKER.BOM Wrapped Ref Des (Current Date,
Sort by Item Seq)

Current BOM
as of 10-MAY-07 10.44.44 AM

| | | | | |
|------------------------------------|---|----------------------|--------------------------|---------------|
| Assembly Item Number: WP-000407-02 | Assembly Description: ASSEMBLY,W/ZYLUX SPEAKER,AD-S52T,,WHITE | Assembly Revision: B | Assy Rev Date: 22-DEC-06 | Org: COSTA ME |
|------------------------------------|---|----------------------|--------------------------|---------------|

| | Part Number | Rev | Description | Item No. | Eff Date | Qty | Op Sequence | Comments | Ref Des |
|----|--------------|-----|--|----------|-------------|-------|-------------|----------|---------|
| 1 | CH-000360-00 | A | PLATE, MOUNTING, SWITCH | 1 | 30-MAY-2006 | 1.00 | 1 | | |
| 2 | CH-000361-02 | B | GRILLE, , WHITE, AD-S52, | 2 | 30-MAY-2006 | 1.00 | 1 | | |
| 3 | CO-000268-00 | 1 | SRV - BINDING POST | 3 | 30-MAY-2006 | 2.00 | 1 | | |
| 4 | CO-000297-00 | 1 | SRV - FASTON, MALE, 0.210 X 0.032 | 4 | 30-MAY-2006 | 2.00 | 1 | | |
| 5 | HW-000062-02 | A | EYE BOLT, M6 X 1, WHT | 5 | 30-MAY-2006 | 1.00 | 1 | | |
| 6 | MS-000214-00 | A | FIBERFILL, POLYESTER, 7X5X1.5 | 6 | 30-MAY-2006 | 1.00 | 1 | | |
| 7 | NW-000023-00 | A | NUT, M4 X 0.7, BRASS | 7 | 30-MAY-2006 | 2.00 | 1 | | |
| 8 | NW-000024-00 | A | LOCKNUT, M6, SS, W/NYLON, | 8 | 30-MAY-2006 | 1.00 | 1 | | |
| 9 | NW-000026-00 | A | WASHER, SPLIT-LOCK, M4, BRASS | 9 | 30-MAY-2006 | 2.00 | 1 | | |
| 10 | NW-000027-00 | A | WASHER, M4, SS, FLAT | 10 | 30-MAY-2006 | 4.00 | 1 | | |
| 11 | NW-250520-04 | A | SRV - WASHER, M6, SS | 11 | 30-MAY-2006 | 1.00 | 1 | | |
| 12 | PL-000215-01 | A | NUT W/INSERT, BINDING POST, BLK | 12 | 30-MAY-2006 | 1.00 | 1 | | |
| 13 | PL-000215-02 | A | NUT W/INSERT, BINDING POST, RED | 13 | 30-MAY-2006 | 1.00 | 1 | | |
| 14 | PL-000234-00 | 1 | GASKET, TWEETER, AUDAX, POLYETHYLENE, BLACK, | 14 | 30-MAY-2006 | 1.00 | 1 | | |
| 15 | PL-000236-02 | 1 | PLATE, INSERT, 0.375" OD, SANTOPRENE, WHITE, | 15 | 30-MAY-2006 | 4.00 | 1 | | |
| 16 | PL-000244-00 | 1 | O-RING, 018, , TEFLON, , | 16 | 30-MAY-2006 | 1.00 | 1 | | |
| 17 | PL-000308-02 | A | KNOB, XFMR TAP SWITCH, WHT | 17 | 30-MAY-2006 | 1.00 | 1 | | |
| 18 | PL-000310-00 | B | BAFFLE, AD-S52 | 18 | 30-MAY-2006 | 1.00 | 1 | | |
| 19 | PL-000311-00 | A | PORT, FLARE, AD-S52 | 19 | 30-MAY-2006 | 1.00 | 1 | | |
| 20 | PL-000312-00 | A | GASKET, BAFFLE, AD-S52 | 20 | 30-MAY-2006 | 1.00 | 1 | | |
| 21 | PL-000313-02 | A | LOGO, BADGE, AD-S52, WHT | 21 | 30-MAY-2006 | 1.00 | 1 | | |
| 22 | PL-000362-00 | A | GASKET, TRANSFER, AD-S52 | 22 | 30-MAY-2006 | 1.00 | 1 | | |
| 23 | PL-000366-01 | A | GASKET, BADGE, AD-S52 | 23 | 30-MAY-2006 | 1.00 | 1 | | |
| 24 | PL-000374-00 | A | GASKET, WOOFER, 5 INCH | 24 | 30-MAY-2006 | 1.00 | 1 | | |
| 25 | SB-000015-02 | B | HOUSING, AD-S52, WHT | 26 | 30-MAY-2006 | 1.00 | 1 | | |
| 26 | SC-000000-10 | A | SCREW, P/P, M3.5 X 1.25, 10L | 27 | 30-MAY-2006 | 3.00 | 1 | | |
| 27 | SC-000002-15 | A | SCREW, P/P, M4 X 1.4, 15L | 28 | 30-MAY-2006 | 12.00 | 1 | | |
| 28 | SC-000011-18 | A | SCREW, P/P, M4 X 1.4 | 29 | 30-MAY-2006 | 6.00 | 1 | | |
| 29 | SP-000058-00 | B | WOOFER, 5" , , ZYLUX, AD-S52 | 30 | 30-MAY-2006 | 1.00 | 1 | | |
| 30 | SP-000061-00 | B | TWEETER, 1" , , ZYLUX, AD-S52/82 | 31 | 30-MAY-2006 | 1.00 | 1 | | |
| 31 | SW-000103-00 | A | SWITCH, XFMR TAP | 32 | 30-MAY-2006 | 1.00 | 1 | | |
| 32 | WP-000253-00 | A | PCB ASSY, X-OVER, AD-S52, , | 33 | 30-MAY-2006 | 1.00 | 1 | | |
| 33 | XF-000205-00 | A | TRANSFORMER, 30W | 34 | 30-MAY-2006 | 1.00 | 1 | | |
| 34 | PL-000516-02 | A | CLIP, CHRISTMAS TREE, .187, , WHITE, | 35 | 22-DEC-2006 | 2.00 | 1 | | |