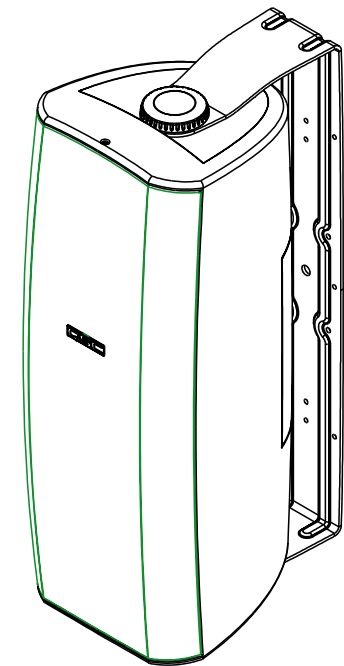
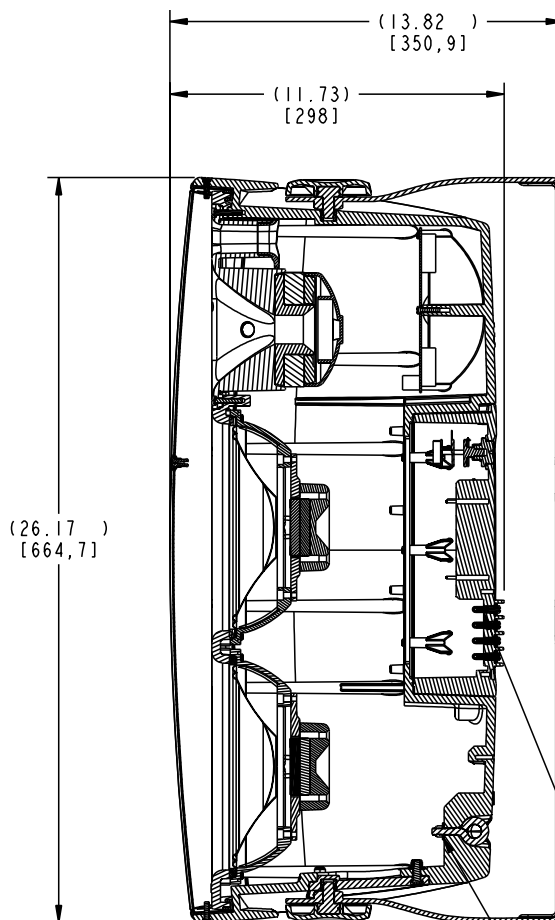
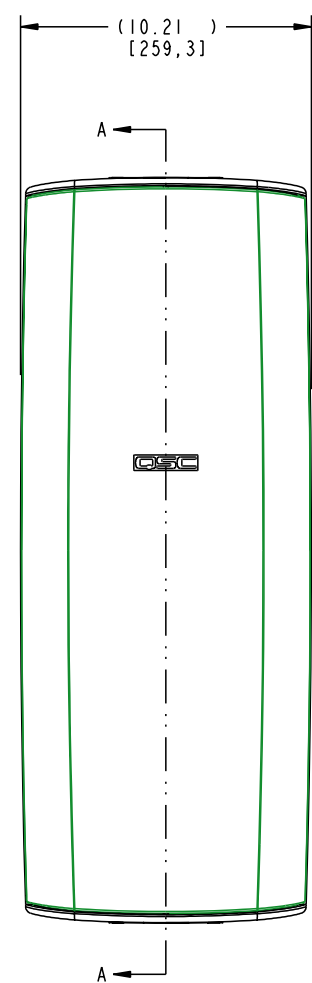


THIS DOCUMENT CONTAINS PROPRIETARY INFORMATION WHICH IS THE PROPERTY OF QSC AUDIO PRODUCTS. THAT MAY NOT BE DISCLOSED, REPRODUCED OR USED WITHOUT EXPRESS WRITTEN CONSENT FROM QSC AUDIO PRODUCTS.

REVISIONS				
REV	DESCRIPTION	EFF DATE	CHK	APPROVED DATE
1	RELEASE FOR QUOTE	10-15-03		
2	RELEASE FOR ALPHA BUILD	03-26-04		
3	RELEASE FOR BETA	07-15-04		
4	RELEASE FOR PILOT	09-08-04		
A	PROD. RELEASE PER ECO 6397 MP	11-05-04	SE	DD



SCALE 0.250

SEAL FOUR CONTACTS INSIDE BUCKET

SEAL EYEBOLT INSIDE BUCKET

SECTION A-A

ITEM	PART NUMBER	DESCRIPTION	QTY
39	WP-000258-00	CROSSOVER ASSY, AD-S282	1
38	SW-000103-00	SWITCH, XFMR TAP	1
37	SP-000072-00	WOOFER, 8", NEO, 16 OHM, B&C	2
36	SP-000051-00	COMPRESSION DRIVER, DE 200, B&C	1
35	SP-000050-00	WAVEGUIDE, AD-S282	1
34	SC-000048-18	SCREW, SOCKET BUTTON HEAD, M6 X 1 X 18MM	3
33	SC-000011-23	SCREW, PHILLIPS, PANHEAD, M4X1.4, 23 L, BLK	20
32	SC-000011-18	SCREW, PHILLIPS, PANHEAD, M4X1.4,	5
31	SC-000011-15	SCREW, PHILLIPS, PANHEAD, M4X1.4, 15 L, BLK	8
30	SC-000006-14	CAP SCREW, M6 X 1 X 14MM	2
29	SC-000002-21	SCREW, PHILLIPS, PANHEAD, M4X1.4, 21 L	16
28	SC-000002-10	SCREW, PHILLIPS, PANHEAD, M4X1.4, 10 L	2
27	SB-000030-00	BAFFLE, AD-S282	1
26	SB-000029-XX	BUCKET, AD-S282	1
25	RD-000117-00	LABEL, SERIAL	1
24	PL-000360-00	GASKET, POLE CUP/COVER	1
23	PL-000346-XX	BADGE, AD-S282	1
22	PL-000344-00	GASKET, BAFFLE, AD-S282	1
21	PL-000343-XX	BACK COVER, INSTALL, AD-S282H	1
20	PL-000341-XX	POLE CUP COVER, AD-S282	2
19	PL-000339-00	FLARE, PORT, AD-S282	1
18	PL-000308-XX	KNOB, XFMR TAP SWITCH	1
17	PL-000258-00	PLUG, WAVE GUIDE, HI OUTPUT, C3-8	2
16	PL-000244-00	O-RING, -018, TEFLON	1
15	PL-000241-00	GASKET, DOCKING PLATE	1
14	PL-000238-00	GASKET, WAVE-GUIDE	1
13	PL-000227-XX	KNOB, YOKE	2
12	PL-000212-XX	RECEPTACLE, BADGE	1
11	NW-250520-04	WASHER, M6, SS	4
10	NW-000024-00	LOCKNUT, M6, W/NYLON, SS	4
9	MS-000210-00	FIBERFILL, POLYESTER, 13.4 X 9.9 X 2.0	2
8	HW-000068-00	INSERT, KNOB, BRASS	2
7	HW-000041-00	EYE BOLT, 6MM, SS	1
6	HW-000040-00	RETAINER, 1D, .312	1
5	CO-000319-00	CLAMP, WIRE, M4 X 0.7 X 8MM	4
4	CH-000402-00	PLATE, MTG, SWITCH	1
3	CH-000392-00	CONTACT, BARRIER STRIP, AD-S282	4
2	CH-000387-XX	BRACKET, YOKE	1
1	CH-000386-XX	GRILLE, AD-S282	1

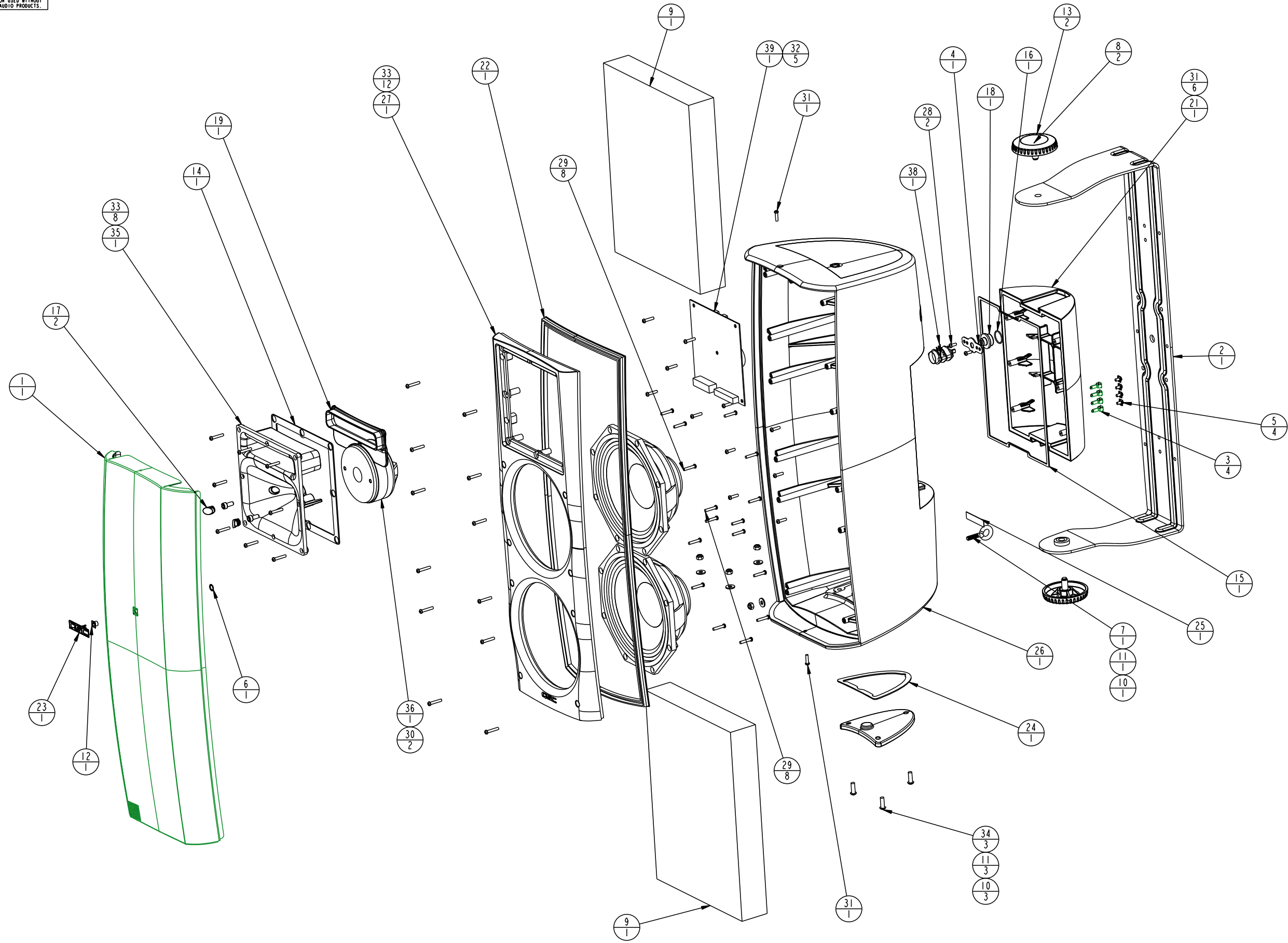
- 6. MAXIMUM ALLOWABLE SINKS/BULDGES: 0.003 INCH
- 5. LOGO ORIENTATION: MAXIMUM ALLOWABLE ANGLE FROM HORIZONTAL: +/- 1 DEGREE
- 4. MAXIMUM ALLOWABLE GAP BETWEEN GRILLE AND BUCKET: 0.02 INCH
- 3. TEXTURE AND FINISH: PER COSMETIC SPEC RD-000122-00.
- 2. COLORS: BLACK PER RD-000120-00, WHITE PER RD-000121-00
- 1. REFERENCE QSC DRIVER SPECIFICATION, WOOFER: SP-000072-00 AND TWEETER: SP-000051-00 FOR PERFORMANCE CHARACTERISTICS.

NOTE: UNLESS OTHERWISE SPECIFIED

DASH NO.	COLOR
-01	BLACK
-02	WHITE

UNLESS OTHERWISE SPECIFIED DIMENSIONS ARE IN INCHES.		CONTRACT NO.		QSC AUDIO PRODUCTS, INC. 1675 MACARTHUR BOULEVARD COSTA MESA, CA 92626	
TOLERANCES ARE:		APPROVALS	DATE		
DECIMALS	DECIMALS	D. SIMPSON	11-05-04		
.xx ± .02	.xxx ± .010 ± 1/2				
DEBURR EDGES .010 R MAX		CHECKED	DATE		
		R. BALTHAZAR	11-02-04	ASSY, AD-S282H	
MATERIAL		WFG ENG	DATE	SIZE	CAGE CODE
NONE		S. ELIZALDE	11-03-04	D	00PW4
FINISH		ISSUED	DATE	DWG NO.	REV
NONE		D. DELARM	11-04-04	WP-000282-XX	A
DO NOT SCALE DRAWING		MODEL INFO		SCALE 0.310	SHEET 1 of 2
		DRAWING INFO			

THIS DOCUMENT CONTAINS PROPRIETARY INFORMATION WHICH IS THE PROPERTY OF OSC AUDIO PRODUCTS, THAT MAY NOT BE DISCLOSED, REPRODUCED OR USED WITHOUT EXPRESS WRITTEN CONSENT FROM OSC AUDIO PRODUCTS.



SCALE 0.320

SIZE	CAGE CODE	DWG NO.	REV
D	00PW4	WP-000282-XX	A
SCALE 0.167	WP-000282-XX.A.1	SHEET	2 of 2

DWG NO. WP-000282-XX  
 SHEET 2  
 REV A