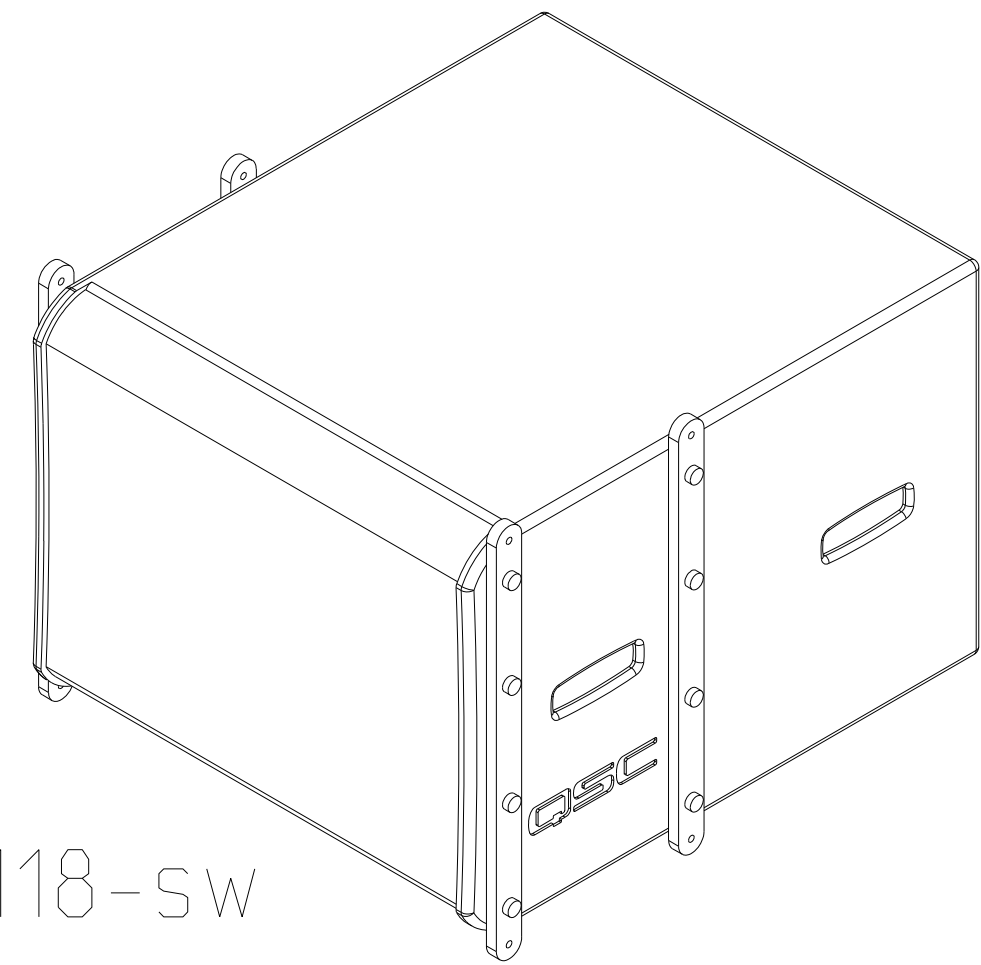
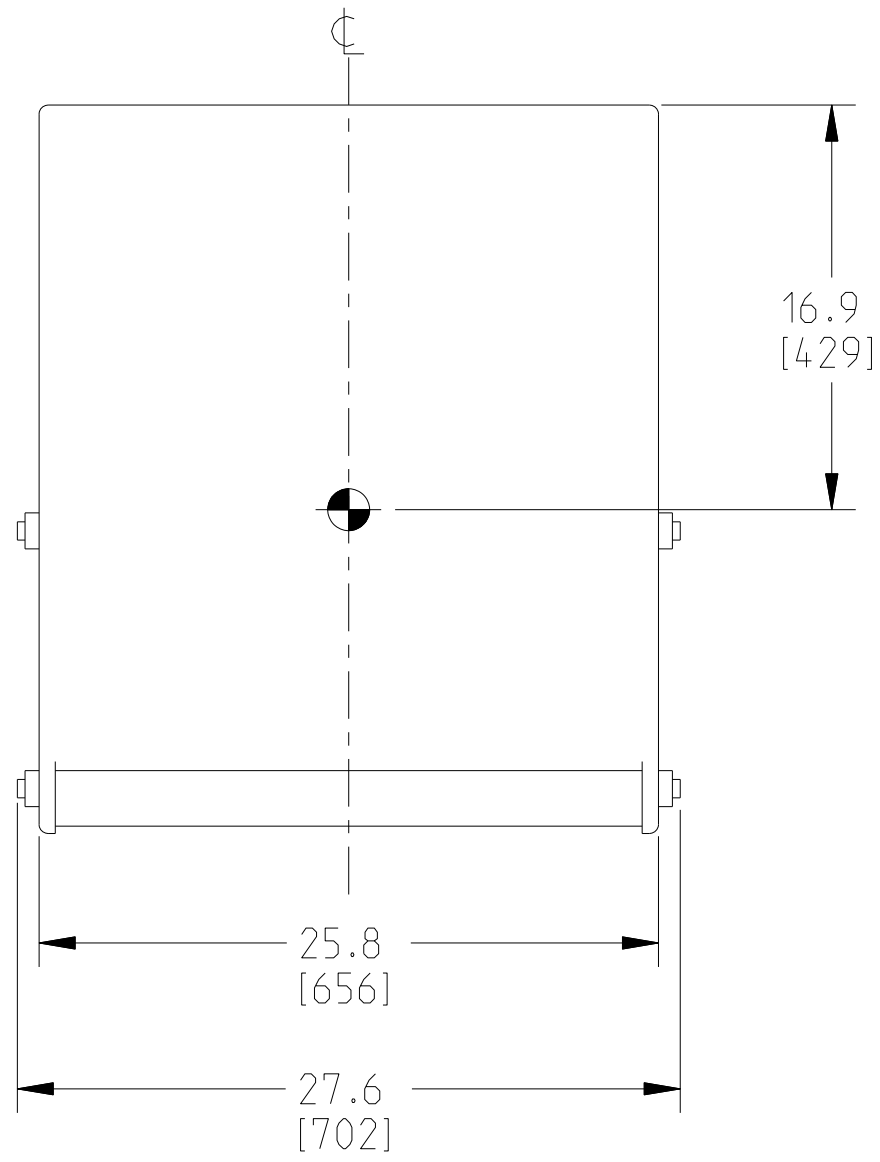


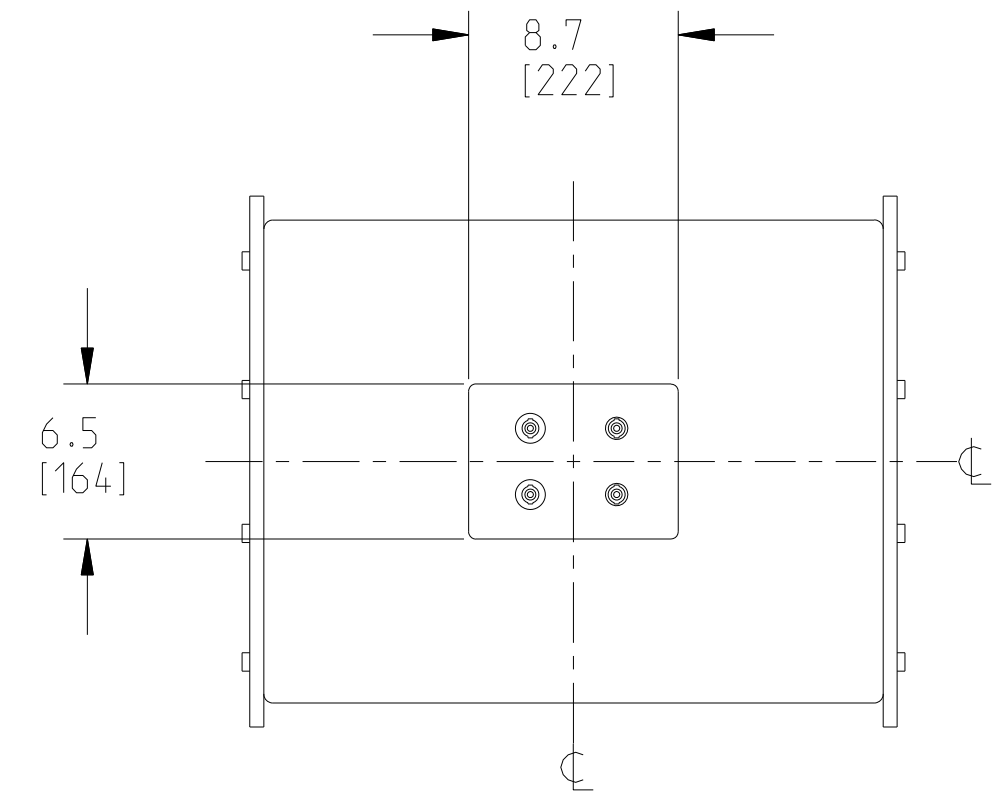
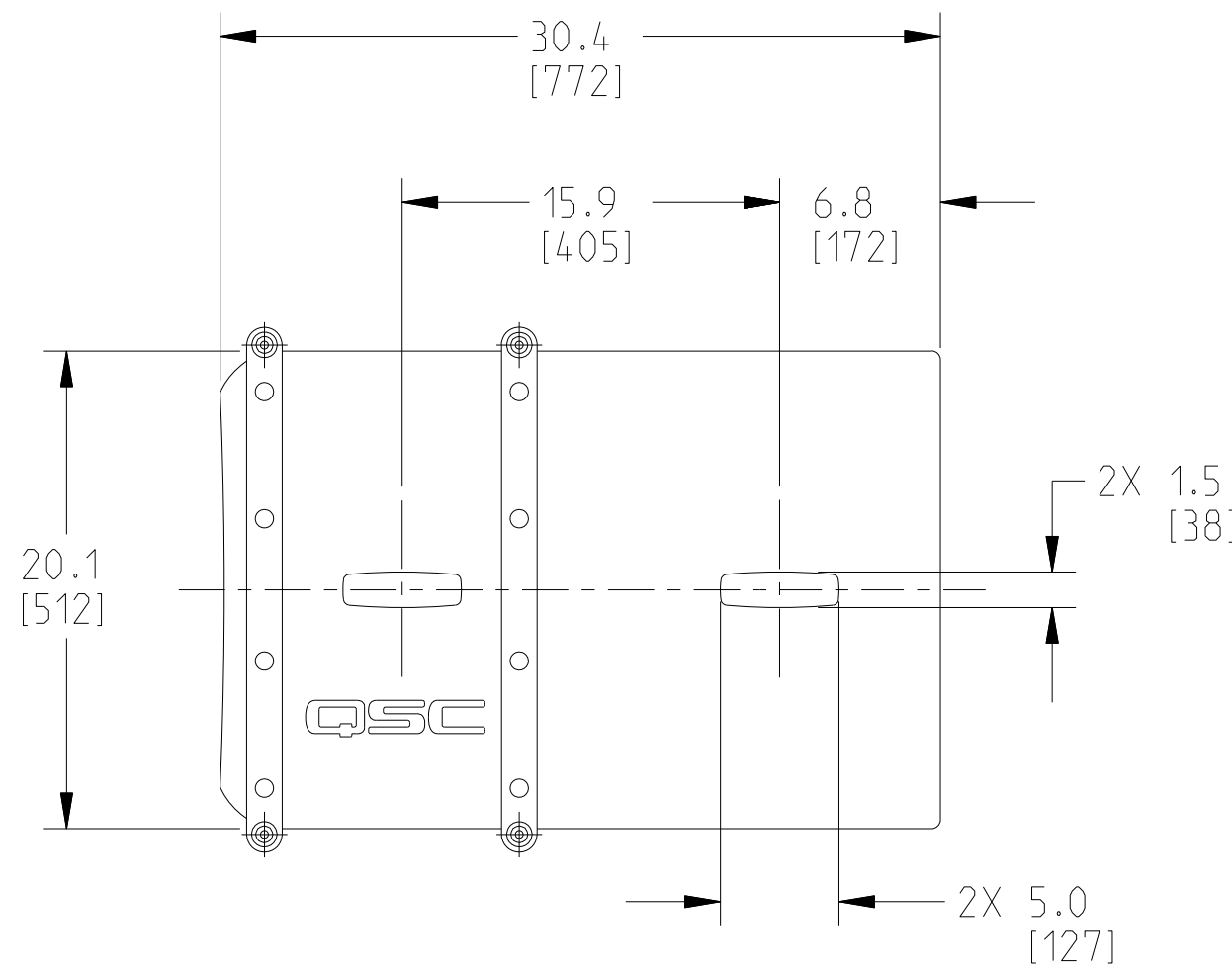
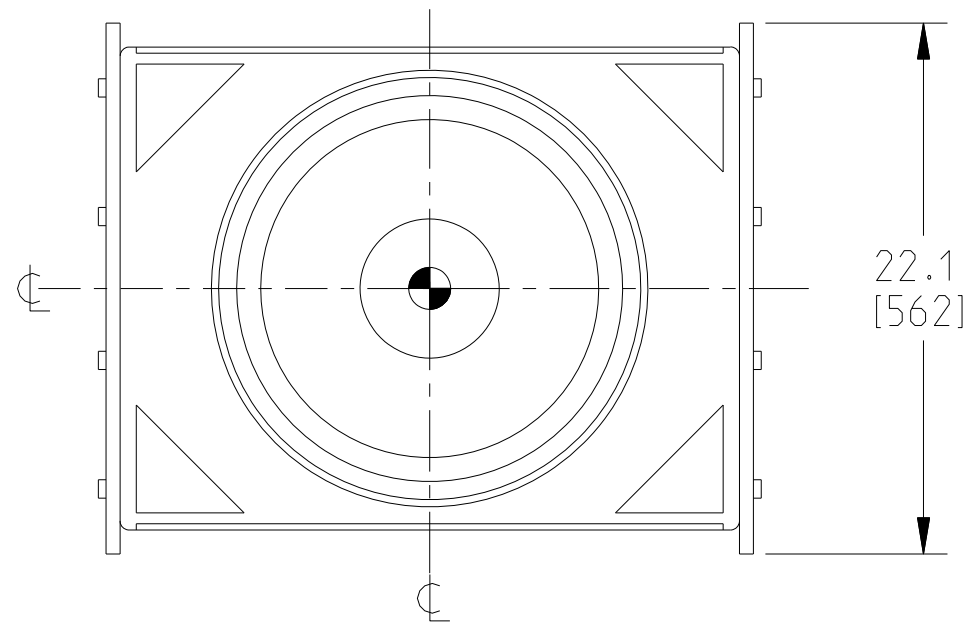
THIS DOCUMENT CONTAINS PROPRIETARY INFORMATION WHICH IS THE PROPERTY OF QSC AUDIO PRODUCTS. THAT MAY NOT BE DISCLOSED, REPRODUCED OR USED WITHOUT EXPRESS WRITTEN CONSENT FROM QSC AUDIO PRODUCTS.

REVISIONS

REV	ECO	DESCRIPTION	BY	EFF DATE	ISSUED
A	-	RELEASE	JD	20-JAN-11	DD



WL118-SW



5. PARTS ARE SYMMETRICAL ABOUT CENTER LINES UNLESS OTHERWISE NOTED.
  4. SYMBOL INDICATES CENTER OF BALANCE.
  3. SYMBOL INDICATES SUSPENSION POINT,  $\varnothing$  .32".
  2. TOLERANCES (INCHES): .X  $\pm$  .13, ANGLES:  $\pm$  1°.
  1. NET WEIGHT APPROX. 111 LBS (50.5 KG)
- NOTE: UNLESS OTHERWISE SPECIFIED

<p>UNLESS OTHERWISE SPECIFIED DIMENSIONS IN INCHES (MM)</p> <p>TOLERANCES ARE:</p> <p>DECIMALS    DECIMALS    ANGLES</p> <p>.XX <math>\pm</math> .02(.5)    .XXX <math>\pm</math> .01(.25)    <math>\pm</math> 1/2</p> <p>DEBURR EDGES .010 (.25) R MAX</p>	APPROVALS	DATE (DD-MMM-YY)	<p><b>QSC</b> QSC AUDIO PRODUCTS, LLC</p> <p>1675 MACARTHUR BOULEVARD</p> <p>COSTA MESA, CA 92626</p>								
	DRAWN J. DELARM	13-JAN-11		<p>SPEAKER, FINISHED, WL118-SW</p>							
	CHECKED M. HARRIS	19-JAN-11									
	MATERIAL	MEG-ENG. MKT P. SANCHEZ		19-JAN-11							
FINISH	QA CHECK N/A	-	<table border="1"> <tr> <td>SIZE</td> <td>CAGE CODE</td> <td>DRAWING NO.</td> <td>REV</td> </tr> <tr> <td>C</td> <td>00PW4</td> <td>FG-011800-2D</td> <td>A</td> </tr> </table>	SIZE	CAGE CODE	DRAWING NO.	REV	C	00PW4	FG-011800-2D	A
SIZE	CAGE CODE	DRAWING NO.	REV								
C	00PW4	FG-011800-2D	A								
DRAWING INFO: FG-011800-2D.A.1		SCALE: 0.125   DO NOT SCALE DRAWING									
MODEL INFO: FG-011800-3D.A.0		SHEET 1 OF 1									