

**Features**

- **Contemporary style, weather resistant enclosure and components**—ideal for a wide range of applications
- **8", 2-way system**—in a lightweight, multipurpose enclosure featuring a heavy duty, powder coated aluminum grille
- **IntelliDock™ intelligent mounting system**—consists of a mounting plate and detachable docking station that incorporates termination points for wiring. Benefits include installation ease and reduced chance of enclosure theft
- **Advanced Directivity™ rotatable waveguide**—(90° x 60°) enables the loudspeaker to deliver accurately focused sound, regardless of the enclosure's mounted orientation
- **High and standard power versions**—power handling capabilities suitable for a multitude of environments, with built-in dynamic power protection during overload conditions



The QSC AcousticDesign™ AD-S82 is a full range, surface mount loudspeaker with sleek, contemporary styling that fits perfectly into multiple environments and applications including hotels, restaurants, convention facilities, and multimedia environments. The speaker incorporates QSC's revolutionary IntelliDock™ intelligent mounting system (patent pending) combined with the Advanced Directivity™ rotatable waveguide. Available in black or white, these great sounding, weather resistant enclosures can be painted to match any specific decor.

With both high output and standard versions, the AD-S82 is a 2-way system housed in a ported enclosure made from injection molded, high-impact polystyrene. This enclosure incorporates an 8" weatherproof, LF transducer with a heavy-duty double roll cloth surround. High output versions employ a 1" exit compression HF driver while standard versions provide a 1" pure titanium dome tweeter. Both versions are available with or without a transformer. The HF driver is coupled with QSC's unique Advanced Directivity rotatable waveguide—enabling the loudspeaker to deliver accurately focused sound, regardless of it's mounted orientation.

QSC's new IntelliDock intelligent mounting system raises the bar for contractor speaker ease of installation and security. The IntelliDock docking station combines all the components needed to mount, wire, and position the speaker into a single housing—independent from the enclosure. The speaker enclosure locks onto the docking station in one step, simultaneously making electrical connections and holding the speaker in place. This exceptional design carries the added benefit of security—reducing the possibility of theft. When opening night arrives, snap the enclosures onto the docking stations and feed the program material. A total of three mounting configurations are available—including a standard yoke mount.

<b>Specifications</b>	<b>AD-S82 (standard output)</b>	<b>AD-S82H (high output)</b>
Configuration	Compact 2-way, ported enclosure	Compact 2-way, ported enclosure
Transducers		
Low-frequency Transducers	8" fiberglass cone, 1 1/4" voice coil	8" high power treated paper cone 2" voice coil, neodymium magnet
High-frequency Transducer	1" titanium dome tweeter with neodymium magnet	1" high output compression driver
Frequency Range <sup>1</sup>		
Frequency Response (-6 dB)	85 Hz - 18 kHz	80 Hz - 21 kHz
Useable Frequency Range (-10 dB)	65 Hz - 19 kHz	60 Hz - 22 kHz
Maximum Output <sup>2</sup>		
Calculated Peak Output	117 dB SPL	120 dB SPL
Calculated Continuous Output	111 dB SPL	114 dB SPL
Nominal Impedance	8Ω (5.4Ω minimum, 15 kHz, 50Ω maximum)	8Ω (7Ω minimum, 210 Hz, 135Ω maximum)
Power Rating		
RMS Power Handling <sup>3</sup>	110 W (8 hours IEC) 90 W (100 hours IEC)	240 W (8 hours IEC) 200 W (100 hours IEC)
Recommended Max Amp Power	180 W RMS	400 W RMS
Power Limiting	Dynamic, full range power protection circuitry activated by signal overload conditions	
Sensitivity	90.5 dB, 1 m, free field	
Nominal Coverage (HV)	90° x 60° (-6 dB) rotatable to 60° x 90°	
Transformers		
Type	Custom low distortion laminated core, wide bandwidth design	
Taps	70 V: 60, 30, 15, 7.5, W   100 V: 60, 30, 15, W	
Enclosure		
Material	Injection molded, weather resistant, high impact polystyrene	
Finish	White or black (paintable)	
Weather Resistant	Yes	
Grille	Heavy duty powder coated aluminum	
Connectors	Pair of concealed 5-way binding posts, in conjunction with IntelliDock mounting/connection system	
Mounting Hardware	AcousticDesign IntelliDock or Yoke Mount options	
Weight - Net / Shipping	16.9 lb (7.7 kg) / 20.3 lb (9.2 kg)	16.2 lb. (7.4 kg) / 19.6 lb (8.9 kg)

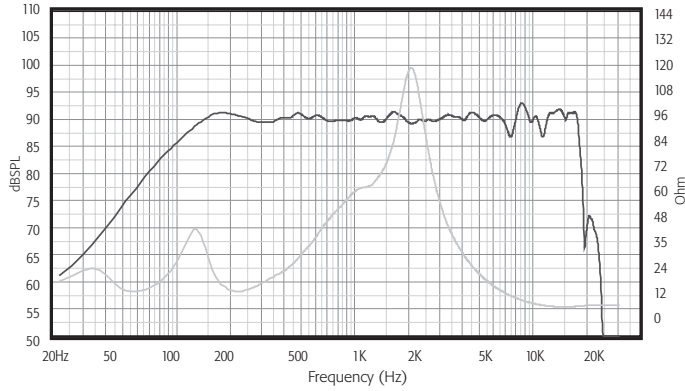
1) All frequency ranges specified refer to measured free field response (full space, 4π)  
 2) Calculated SPL at 1m, (full space, 4π), speaker operating at rated RMS power with pink noise within specified frequency range  
 3) Maximum input power tested in accordance with IEC 268-5 recommendations, 50 Hz - 20 kHz band limiting, 6 dB signal crest factor

# AD-S82

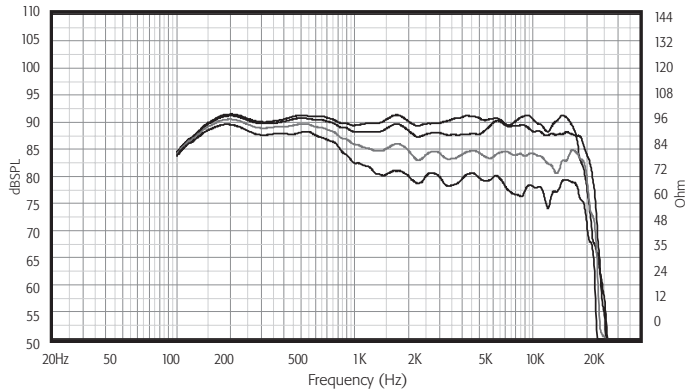
## Dimensions | Frequency Response and Impedance

### AD-S82

#### Frequency Response and Impedance\*

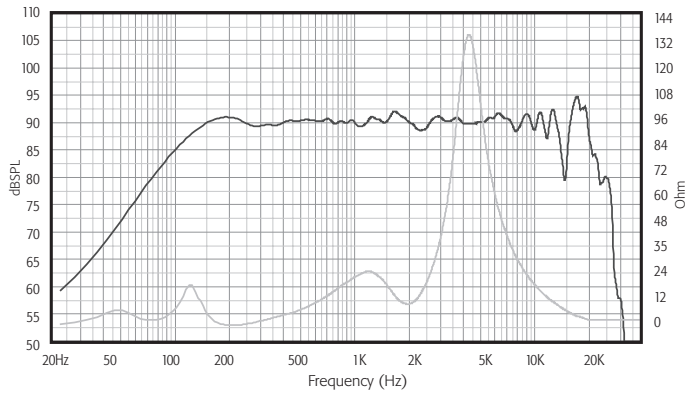


#### Horizontal Off-Axis and Impedance\*\* (0°, 20°, 40°, 60°)

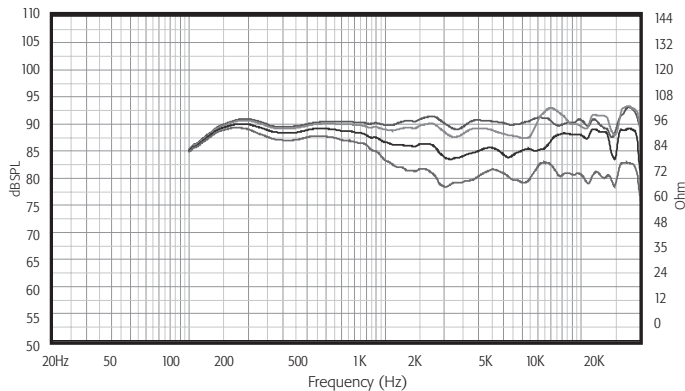


### AD-S82H

#### Frequency Response and Impedance\*



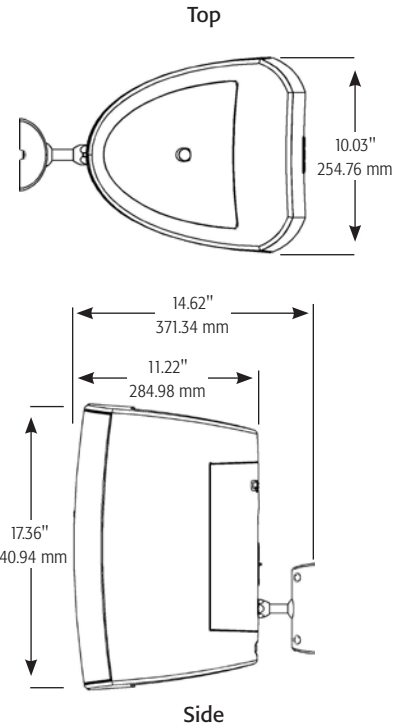
#### Horizontal Off-Axis and Impedance\*\* (0°, 20°, 40°, 60°)



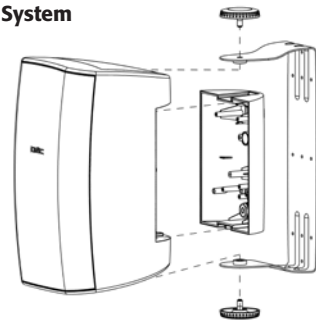
\*Graph shows free field SPL at 1 W, 1 m

\*\*1/3rd octave smoothing applied to off-axis curves for clarity

Specifications subject to change without notice.



### Yoke Mount System



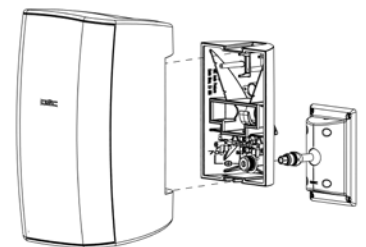
#### AD-YM8 Yoke Mount

Weight - Net / Shipping 3.7 lb (1.7 kg) / 7 lb (3 kg)

#### AD-YM8T Yoke Mount with transformer

Weight - Net / Shipping 6.7 lb (3 kg) / 10 lb (4.5 kg)

### IntelliDock Mounting System



#### AD-ID8 IntelliDock

Weight - Net / Shipping 3.3 lb (1.5 kg) / 5.6 lb (2.5 kg)

#### AD-ID8T IntelliDock with transformer

Weight - Net / Shipping 6.3 lb (2.9 kg) / 8.6 lb (4 kg)