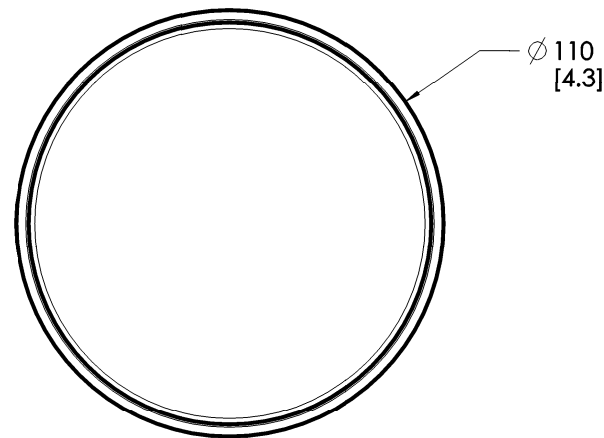
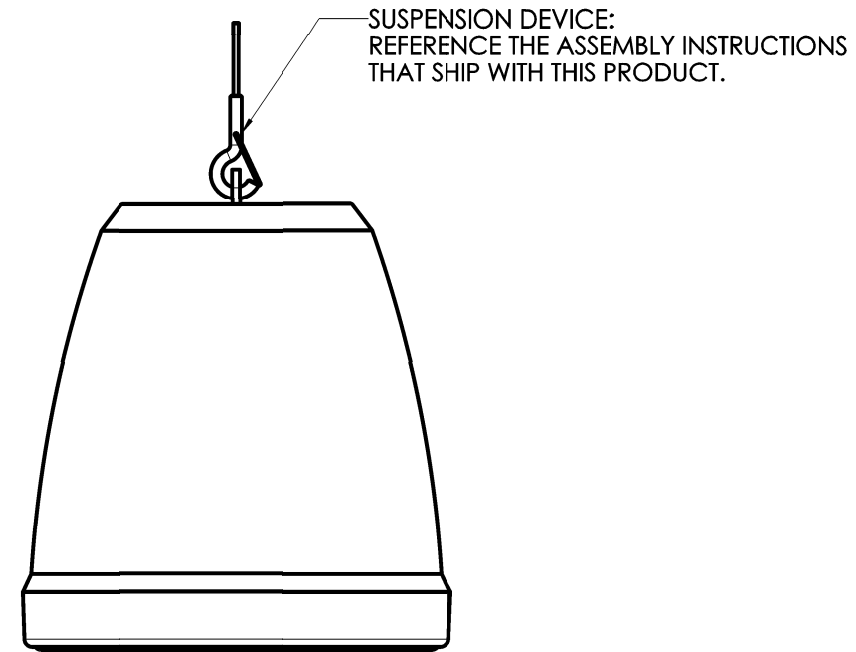
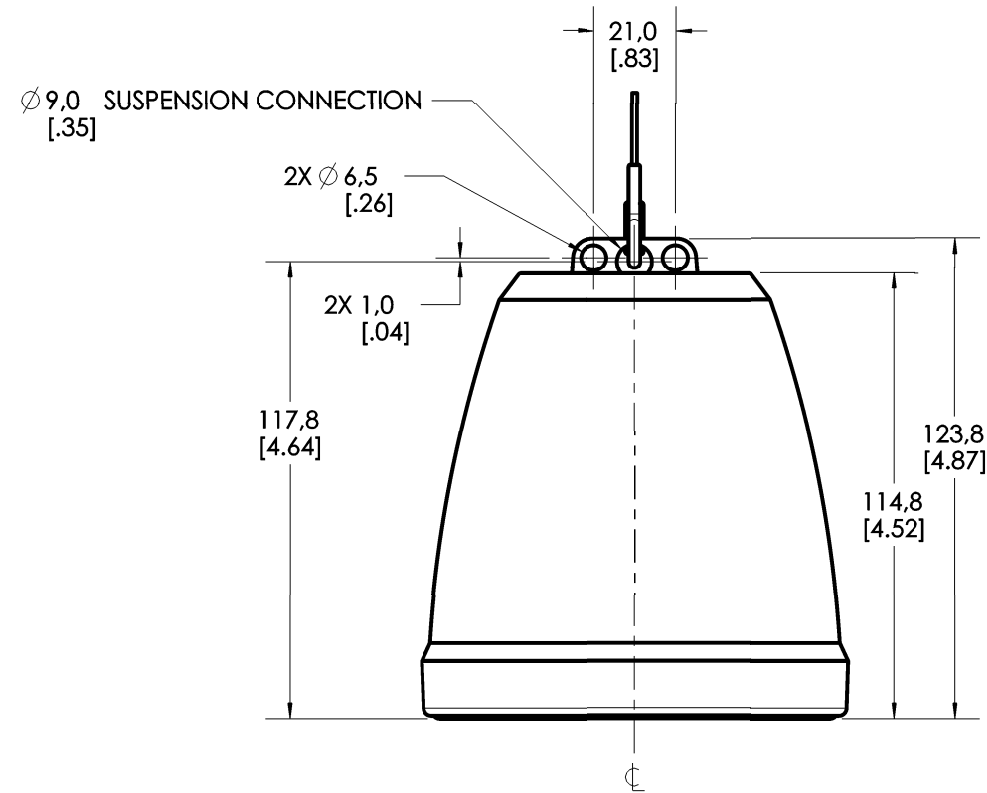
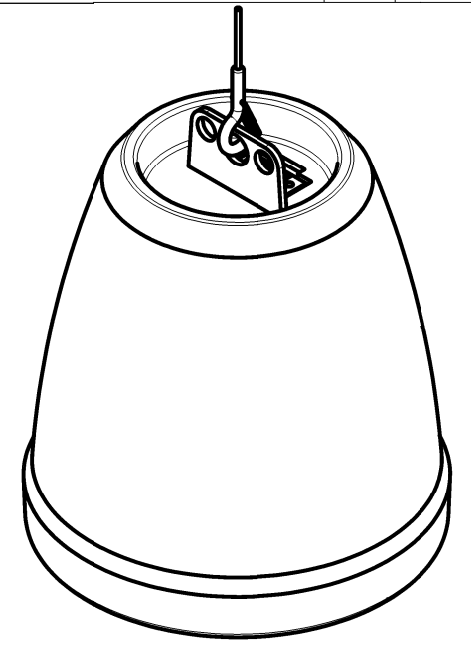
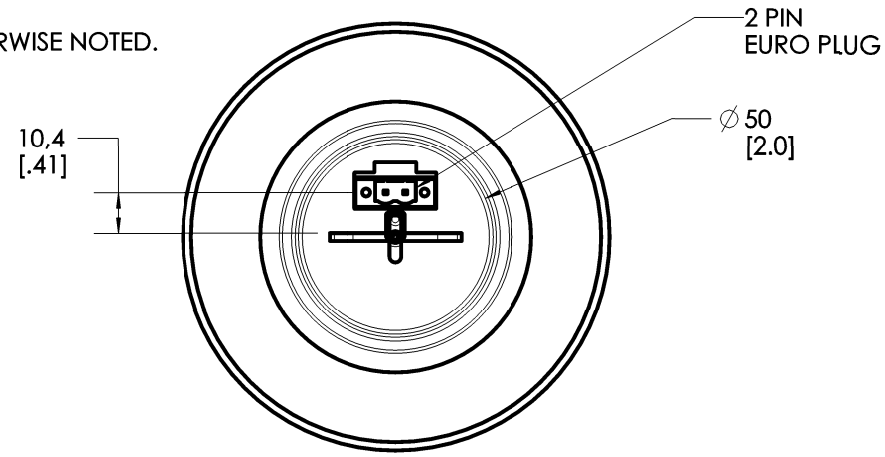


THIS DOCUMENT CONTAINS PROPRIETARY INFORMATION WHICH IS THE PROPERTY OF QSC, LLC. THAT MAY NOT BE DISCLOSED, REPRODUCED OR USED WITHOUT THE EXPRESS WRITTEN CONSENT FROM QSC, LLC.

REVISION		BY	DATE
REV	DESCRIPTION	SS	10-OCT-18
A	INITIAL RELEASE		

- NOTE: UNLESS OTHERWISE SPECIFIED
1. NET WEIGHT APPROX. 0.93 LBS (0.42 KG)
 2. TOLERANCES (MM[IN]): X +/-3 [.12], ANGLES +/- 1 DEGREE.
 3. PARTS ARE SYMMETRICAL ABOVE CENTER LINES UNLESS OTHERWISE NOTED.



UNLESS OTHERWISE SPECIFIED DIMENSIONS ARE IN MM [IN]		CAD GENERATED DRAWING DO NOT MANUALLY UPDATE		QSC, LLC 1675 MACARTHUR BOULEVARD COSTA MESA, CA 92626 USA	
TOLERANCES ARE:		APPROVALS		FINISHED GOOD, LOUDSPEAKER, AD-P.SAT,2.5"	
DECIMALS	ANGLES	DRAWN BY S. STASIAK			
.X ± 3 [.12]	±1°	MECH ENGINEER B. HAWKINS			
		TECH DIRECTOR J. HALLEY			
MATERIAL	N/A	MFG ENGINEER M. JEN		SIZE B	CAGE CODE 00PW4
FINISH	N/A	DO NOT SCALE DRAWING		DWG. NO. FG-901251-2D	REV A
PROJECTION SYMBOL		SCALE: 1:2		CAD FILE: FG-901251-2D.A.4	SHEET: 1 OF 1