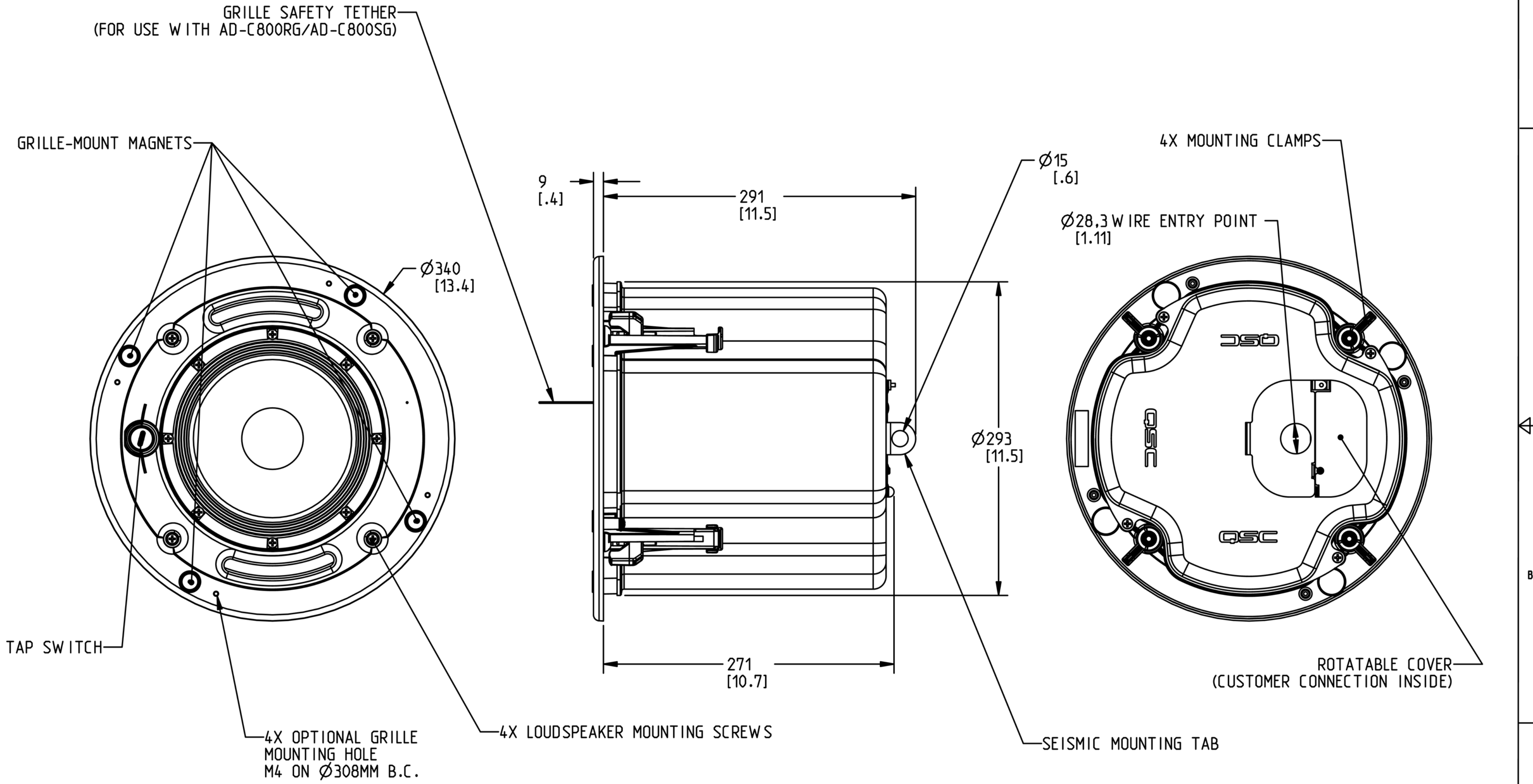


THIS DOCUMENT CONTAINS PROPRIETARY INFORMATION WHICH IS THE PROPERTY OF QSC AUDIO PRODUCTS. IT MAY NOT BE DISCLOSED, REPRODUCED OR USED WITHOUT EXPRESS WRITTEN CONSENT FROM QSC AUDIO PRODUCTS.

| REVISIONS | | | | |
|-----------|-------------|-----------|-----|------|
| REV | DESCRIPTION | EFF DATE | CHK | APVD |
| A | RELEASE | 12-JUL-10 | MH | JO |
| | | | | |
| | | | | |



2. TOLERANCES (MM): X.XX ± 1.00, ANGLES: ± 1°.
 1. NET WEIGHT APPROX. 7.3 KG (16.0 LBS).
 NOTE: UNLESS OTHERWISE SPECIFIED

| | | | | | | | |
|---|--------------|-------------|--|----------------------------------|------------------|-------|--------|
| UNLESS OTHERWISE SPECIFIED DIMENSIONS ARE IN INCHES. TOLERANCES ARE: DECIMALS DECIMALS ANGLES .XX ± .02 .XXX ± .010 ± 1/2 DEBURR EDGES .010 R MAX MATERIAL FINISH DO NOT SCALE DRAWING | CONTRACT NO. | | QSC QSC AUDIO PRODUCTS, LLC 1675 MACARTHUR BOULEVARD COSTA MESA, CA 92626 | | | | |
| | APPROVALS | | | | DATE | | |
| | DRAWN | D. SIMPSON | 23-JUN-10 | SPEAKER, AD-C821, BLIND MOUNT | | | |
| | CHECKED | J. O'CONNOR | 09-JUL-10 | | | | |
| MFG ENG | - | - | SIZE | CAGE CODE | DWG NO. | REV | |
| ISSUED | - | - | C | 00PW4 | FG-000890-2D | A | |
| WP-000890-00.A.1 | | | SCALE | 0.375 | FG-000890-2D.A.5 | SHEET | 1 of 1 |