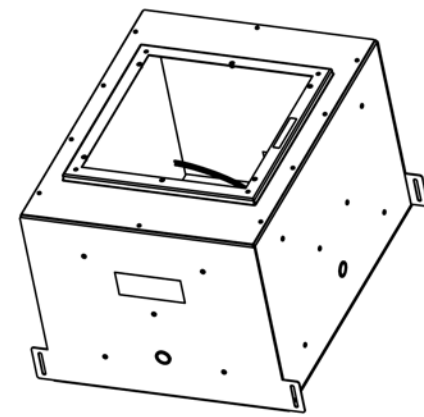
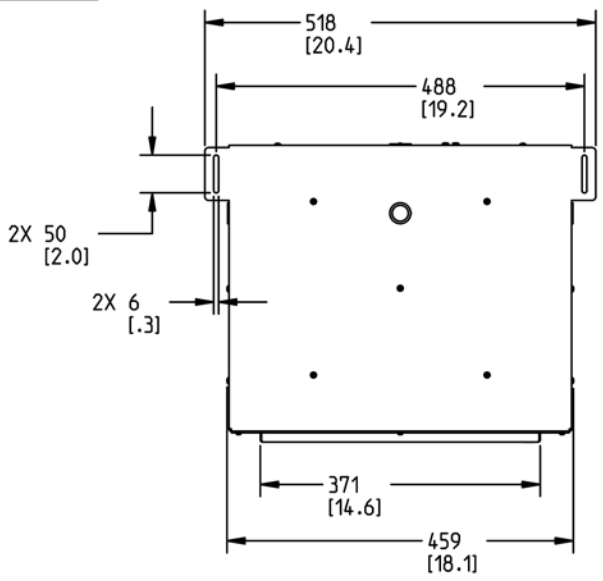
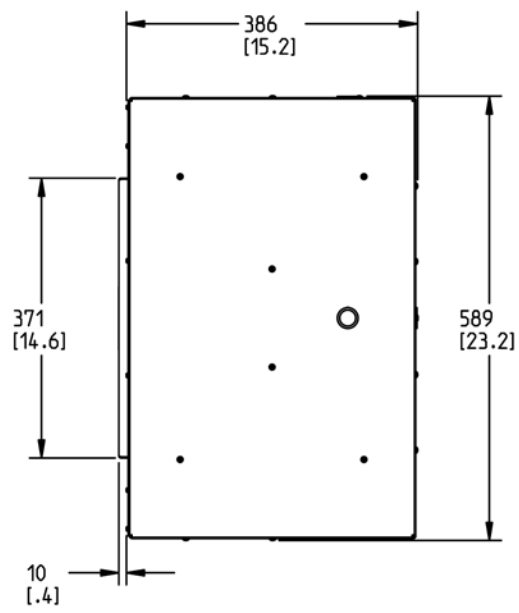
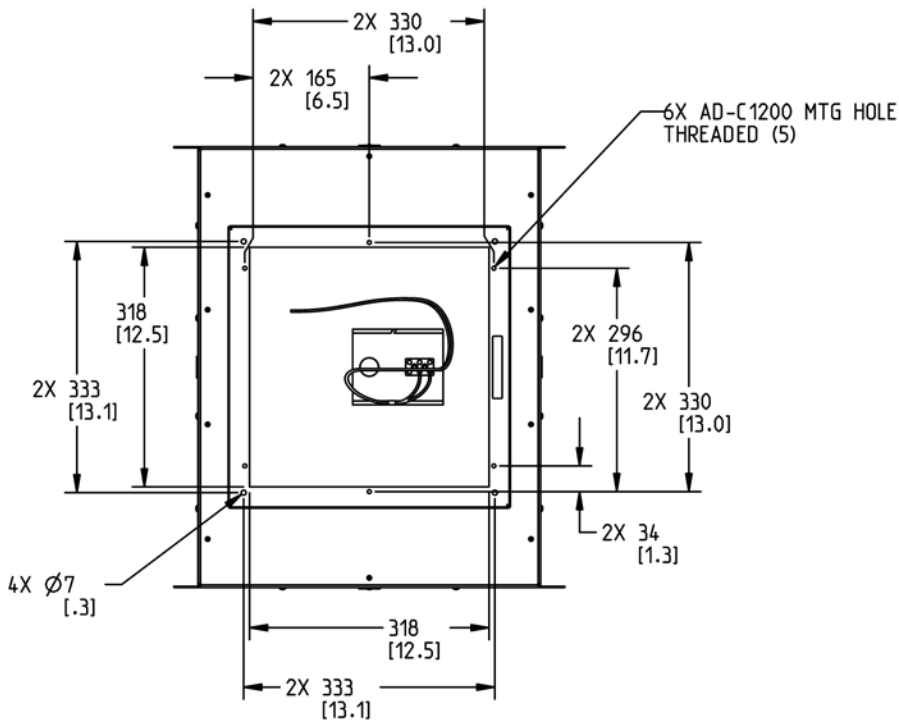


THIS DOCUMENT CONTAINS PROPRIETARY INFORMATION BELONGING TO THE PROPERTY OF QSC AUDIO PRODUCTS, LLC. IT IS TO BE KEPT CONFIDENTIAL AND NOT TO BE RELEASED OR REPRODUCED IN ANY MANNER WITHOUT THE WRITTEN CONSENT OF QSC AUDIO PRODUCTS, LLC.

REVISIONS				
REV	DESCRIPTION	EFF DATE	CHK	APVD
A	PROD RLSE W/O CHANGE	05-APR-10	MH	JO



SCALE 0.150



2. TOLERANCES (MM): X.XX ± 1.00, ANGLES: ± 1°.
 1. NET WEIGHT APPROX. 28.6 KG (52 LBS).
 NOTE: UNLESS OTHERWISE SPECIFIED

UNLESS OTHERWISE SPECIFIED DIMENSIONS ARE IN INCHES. TOLERANCES ARE: DECIMALS DECIMALS ANGLES .XX ± .02 .XXX ± .010 ± 1/2 DEBURR EDGES .010 R MAX	CONTRACT NO.		QSC AUDIO PRODUCTS, LLC 1675 MACARTHUR BOULEVARD COSTA MESA, CA 92626	
	APPROVALS	DATE		
FINISH	ISSUED		DRAWN D. SIMPSON 02-APR-10 CHECKED J. O'CONNOR 02-APR-10 MFG ENG - SPEAKER ASSY, BACK BOX, AD-C1200BB	
DO NOT SCALE DRAWING	WP-001271-00.A1.1	SCALE 0.200		