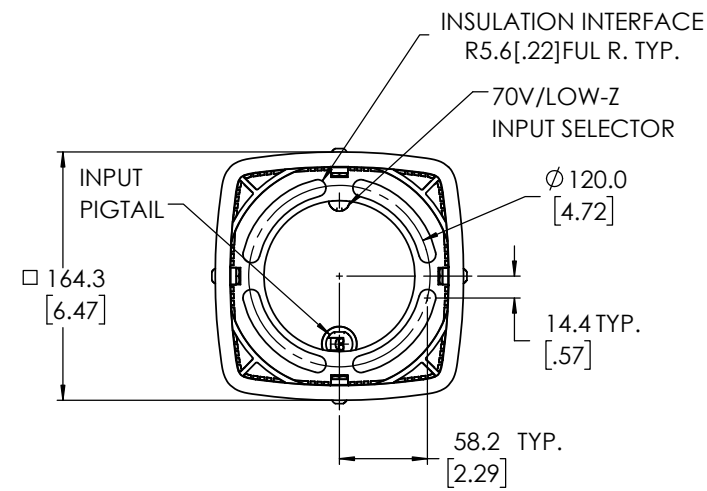
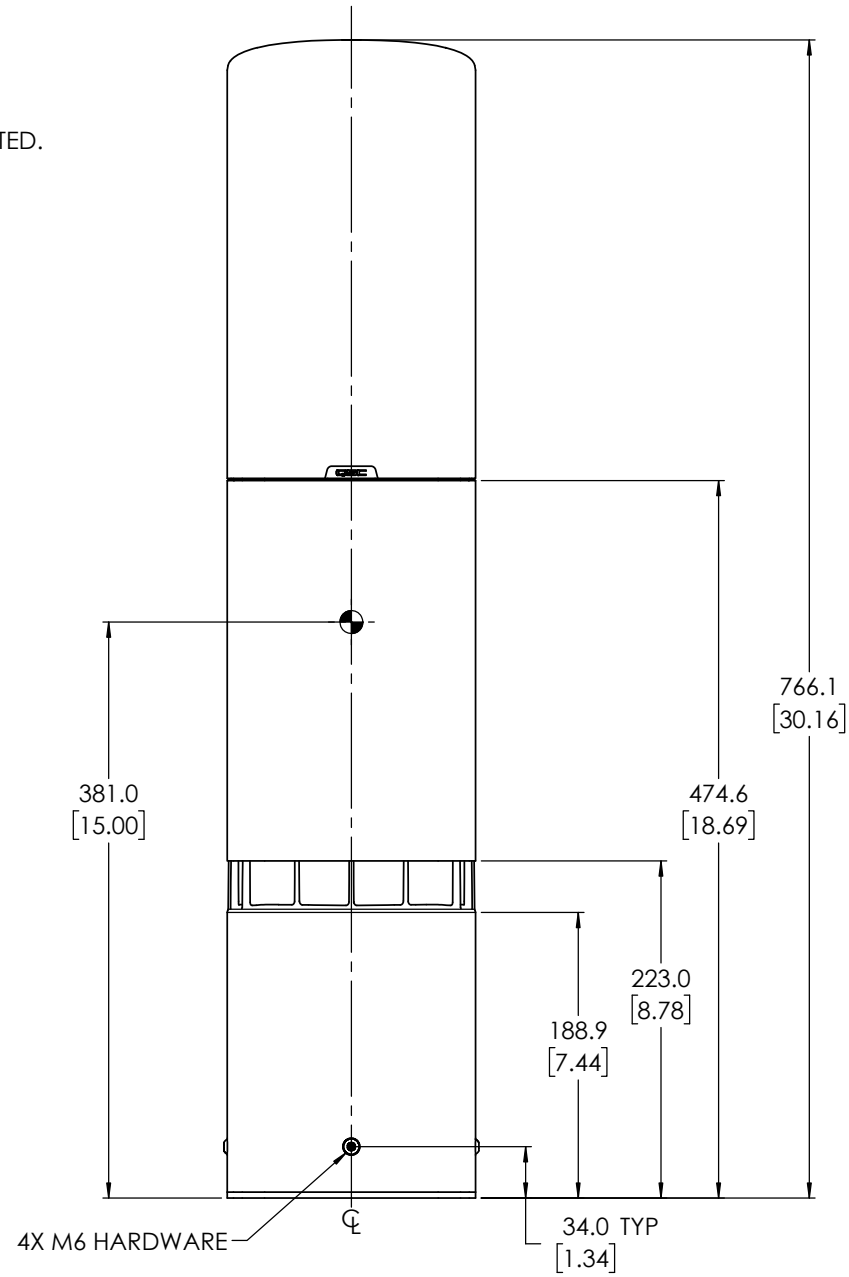


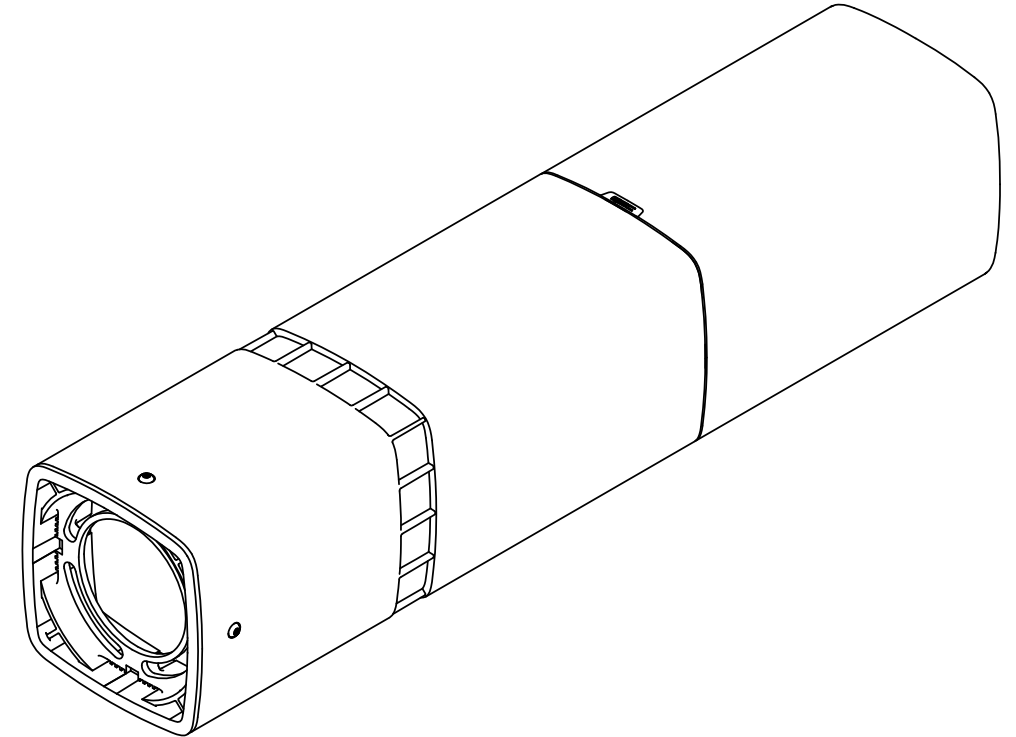
THIS DOCUMENT CONTAINS CONFIDENTIAL OR PROPRIETARY INFORMATION WHICH IS THE PROPERTY OF QSC, LLC THAT MAY NOT BE DISCLOSED, REPRODUCED OR USED WITHOUT EXPRESS WRITTEN CONSENT FROM QSC, LLC. NO PORTION OF THIS DOCUMENT MAY BE REPRODUCED, REDISTRIBUTED, OR OTHERWISE DISCLOSED TO ANY THIRD PARTY WITHOUT QSC'S WRITTEN PERMISSION.

NOTES: UNLESS OTHERWISE SPECIFIED

1. NET WEIGHT APPROX. 10.8 KG [23.9 LBS].
2. PARTS ARE SYMMETRICAL ABOUT CENTER LINES UNLESS OTHERWISE NOTED.
3. SYMBOL \ominus INDICATES CENTER OF GRAVITY.



REVISIONS			
REV	DESCRIPTION	BY	DATE
A	RELEASE FOR SALES AND MARKETING	MD	01-JUL-22



UNLESS OTHERWISE SPECIFIED DIMENSIONS ARE IN MM [IN] TOLERANCES ARE:		CAD GENERATED DRAWING DO NOT MANUALLY UPDATE		QSC QSC, LLC 1675 MACARTHUR BOULEVARD COSTA MESA, CA 92626 USA	
DECIMALS .X ± 3.0 [.12]	ANGLES ±1°	APPROVALS		LOUDSPEAKER, AD-DWL.SUB,DUAL 5.25" SUBWOOFER, LANDSCAPE BOLLARD, 360 DEG	
MATERIAL N/A	FINISH N/A	DRAWN BY M. DAVILA MECH ENGINEER			
DO NOT SCALE DRAWING	PROJECTION SYMBOL $\begin{matrix} \square \\ \oplus \end{matrix}$	T. AMUNDSON TECH DIRECTOR			
		R. LAZZARI MFG ENGINEER			
		M. LUO		SIZE B	CAGE CODE 00PW4
				DWG. NO. FG-901536-2D	REV A
				SCALE: 1:5	CAD FILE: FG-901536-2D
				SHEET: 1	OF 1