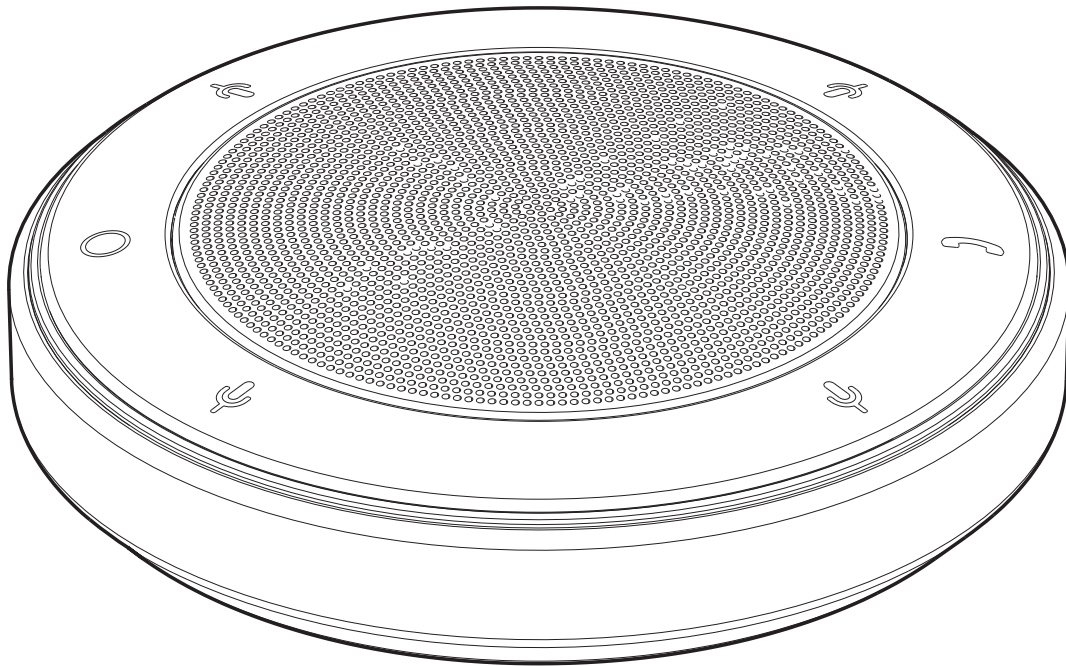


NM-T1 Tabletop Conference Microphone



EXPLANATION OF TERMS AND SYMBOLS

The term "**WARNING**" indicates instructions regarding personal safety. Failure to follow them may result in bodily injury or death.

The term "**CAUTION**" indicates instructions regarding possible damage to physical equipment. Failure to follow them may result in equipment damage to equipment that may not be covered under the warranty.

The term "**IMPORTANT**" indicates instructions or information that are vital to the successful completion of the procedure.

The term "**NOTE**" indicates additional useful information.



The lightning flash with arrowhead symbol in a triangle alerts the user to the presence of uninsulated dangerous voltage within the product's enclosure that may constitute a risk of electric shock to humans.



The exclamation point within a triangle alerts the user to important safety, operating, and maintenance instructions in this manual.



IMPORTANT SAFETY INSTRUCTIONS



WARNING! TO PREVENT FIRE OR ELECTRIC SHOCK, DO NOT EXPOSE THIS EQUIPMENT TO RAIN OR MOISTURE.

1. Read, follow, and keep these instructions.
2. Heed all warnings.
3. Do not use this apparatus near water.
4. Refer to the "Cleaning" section for product cleaning requirements.
5. Do not install near heat sources such as radiators, heat registers, stoves, or other apparatus (including amplifiers) that produce heat.
6. Only use attachments/accessories specified by the manufacturer.
7. Refer all servicing to qualified service personnel. Servicing is required when the apparatus has been damaged in any way, such as when the power supply cord or plug is damaged, liquid has been spilled or objects have fallen into the apparatus, the apparatus has been exposed to rain or moisture, does not operate normally, or has been dropped.
8. Do not use this apparatus in or near water or liquids.
9. Do not submerge the apparatus in water or liquids.
10. Do not use any aerosol spray, cleaner, disinfectant or fumigant on, near or into the apparatus.
11. Adhere to all applicable, local codes.
12. Consult a licensed, professional engineer when any doubt or questions arise regarding a physical equipment installation.

Maintenance and Repair



WARNING: Advanced technology, e.g., the use of modern materials and powerful electronics requires specially adapted maintenance and repair methods. To avoid a danger of subsequent damage to the apparatus, injuries to persons and/or the creation of additional safety hazards, all maintenance or repair work on the apparatus should be performed only by a QSC authorized service station or an authorized QSC international distributor. QSC is not responsible for any injury, harm or related damages arising from any failure of the customer, owner or user of the apparatus to facilitate those repairs.



IMPORTANT! PoE Power Input – PoE Type 1 Class 2 required. See "Connections and Controls".

Specifications and Dimensions

Product specifications and dimension drawings for the NM-T1 can be found online at www.qsc.com.

Cleaning



WARNING: Liquids entering the housing may damage the internal electronics. Keep liquids away and do not use any solvents or chemicals to clean this product.

The NM-T1 grille may collect dust and small debris over time. Use only a solvent-free damp cloth or small vacuum intended for use with electronics to clean the NM-T1 control ring and grille. The vacuum should be used with a soft bristle attachment to minimize the force of air drawn directly through the microphone grille. Do not use compressed air to clean the NM-T1.

FCC Statement



NOTE: This equipment has been tested and found to comply with the limits for a Class B digital device, pursuant to part 15 of the FCC Rules. These limits are designed to provide reasonable protection against harmful interference in a residential installation. This equipment generates, uses and can radiate radio frequency energy and, if not installed and used in accordance with the instructions, may cause harmful interference to radio communications. However, there is no guarantee that interference will not occur in a particular installation. If this equipment does cause harmful interference to radio or television reception, which can be determined by turning the equipment off and on, the user is encouraged to try to correct the interference by one or more of the following measures

- Reorient or relocate the receiving antenna.
- Increase the separation between the equipment and receiver.
- Connect the equipment into an outlet on a circuit different from that to which the receiver is connected.
- Consult the dealer or an experienced radio/TV technician for help

Environmental

- **Expected Product Life Cycle:** 10 years
- **Storage Temperature Range:** -20°C to +70°C
- **Operating Temperature Range:** 0°C to +40°C
- **Relative Humidity:** 5 to 85% RH, non-condensing

RoHS Statement

The QSC Q-SYS NM-T1 is in compliance with European Directive 2011/65/EU – Restriction of Hazardous Substances (RoHS2).

The QSC Q-SYS NM-T1 is in compliance with “China RoHS” directives per GB/T 26572. The following chart is provided for product use in China and its territories:

部件名称 (Part Name)	QSC Q-SYS NM-T1					
	有害物质 (Hazardous Substances)					
	铅 (Pb)	汞 (Hg)	镉 (Cd)	六价铬 (Cr(vi))	多溴联苯 (PBB)	多溴二苯醚 (PBDE)
电路板组件 (PCB Assemblies)	X	○	○	○	○	○
机壳装配件 (Chassis Assemblies)	X	○	○	○	○	○

本表格依据 SJ/T 11364 的规定编制。

O: 表示该有害物质在该部件所有均质材料中的含量均在 GB/T 26572 规定的限量要求以下。

X: 表示该有害物质至少在该部件的某一均质材料中的含量超出 GB/T 26572 规定的限量要求。

(目前由于技术或经济的原因暂时无法实现替代或减量化。)

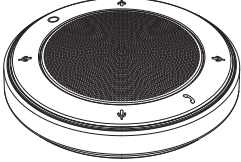
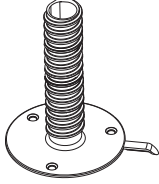
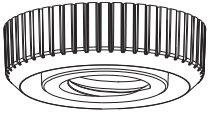

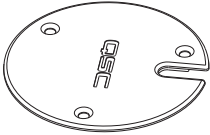




This table is prepared following the requirement of SJ/T 11364.

O: Indicates that the concentration of the substance in all homogeneous materials of the part is below the relevant threshold specified in GB/T 26572.

X: Indicates that the concentration of the substance in at least one of all homogeneous materials of the part is above the relevant threshold specified in GB/T 26572.

(Replacement and reduction of content cannot be achieved currently because of the technical or economic reason.)

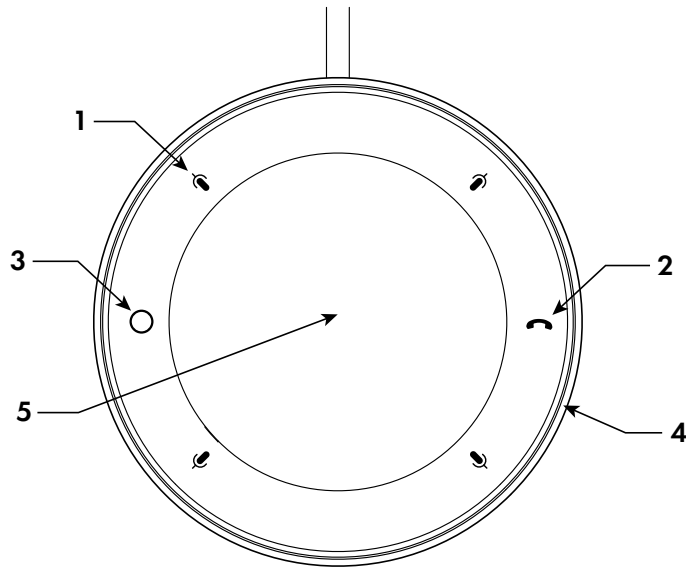
What's in the Box

	(1x) NM-T1		(1x) Mounting pipe		(1x) Mounting pipe locking nut
	(2x) Isolation ring		(1x) Strain relief cap		(3x) M3 x 0.5mm Screws
	(1x) 3m CAT6 cable		(1x) Warranty statement		(1x) Safety information

Connections and Controls

Top

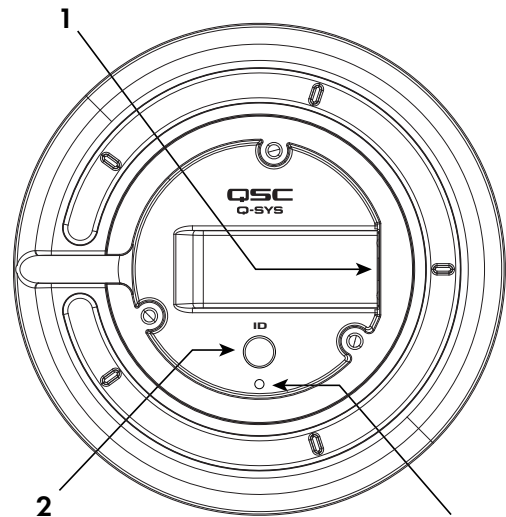
- Mute Buttons:** Four touch-sensitive buttons control the mute status for all beams. When a Mute button is pressed, all active mic beams are muted.
- Call Button:** Touch sensitive-call button.
- User Button:** Touch -sensitive programmable user button.
- LED Light Ring:** Indicates mute and call status with programmable color, brightness, and pattern.
- Proximity Sensor:** Allows the user to trigger a Q-SYS Control event by placing a hand 4 to 6 inches above the mic.



— Figure 1 —

Bottom

- Q-LAN/PoE Port:** For Q-LAN connection. The NM-T1 is a PoE Enabled Device (PoE Type 1 Class 2). Use a suitable PoE network switch or supply connected to this port.
- ID Button:** Press to identify this unit in Q-SYS Designer Software or Q-SYS Configurator.
- Reset Button:** Use the Reset button to restore default network settings and recover factory default settings. Before attempting a reset, refer to the [Q-SYS Help](#) for details.

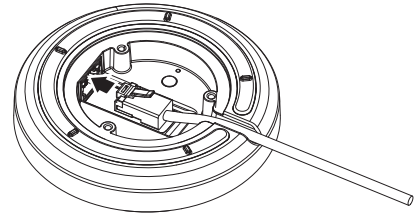


— Figure 2 —

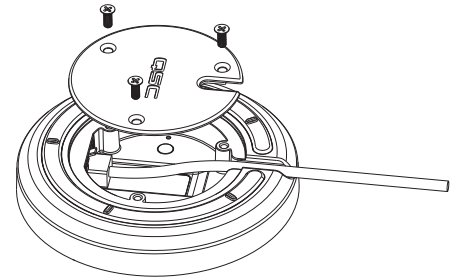
Installation

Free-standing Installation

1. Connect a network cable to the Q-LAN/PoE port at the bottom of the microphone and guide the cable through the channel for rear exit (Figure 3).
2. Attach the included Strain Relief Cap and secure in place with the 3 included flat head screws (Figure 4).
3. Place the microphone on table, ensuring proper orientation – the QSC logo indicates the front of the microphone.
4. Connect the the other end of the network cable to a PoE switch.



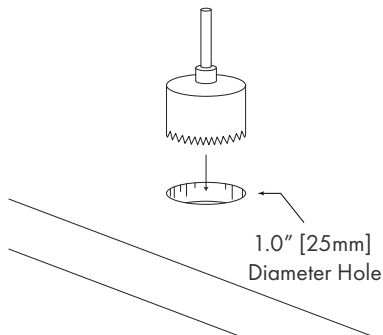
— Figure 3 —



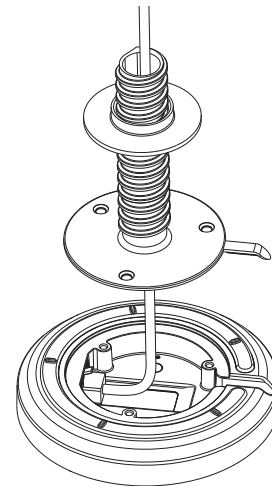
— Figure 4 —

Through-table Mounting

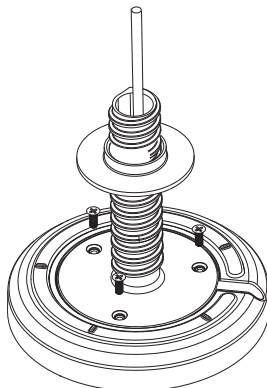
1. Drill a 1" hole in the table (Figure 5). To minimize table vibrations affecting microphone performance, ensure that the hole is large enough such that the Mounting Pipe does not directly contact the table.
2. Connect a network cable to the Q-LAN/PoE port at the bottom of the microphone and guide the cable through the included Mounting Pipe and Isolation Ring (Figure 6).
3. Attach the Mounting Pipe and secure in place with the 3 included screws (Figure 7).
4. Guide the cable and Mounting Pipe through the hole in the table. From under the table, guide the cable through the Isolation Ring and Mounting Pipe Locking Nut. (Figure 8).
5. Ensure proper orientation of the microphone – the QSC logo indicates the front of the microphone.
6. Tighten the Locking Nut to secure the microphone to the table.
7. Connect the other end of the network cable to a PoE switch.



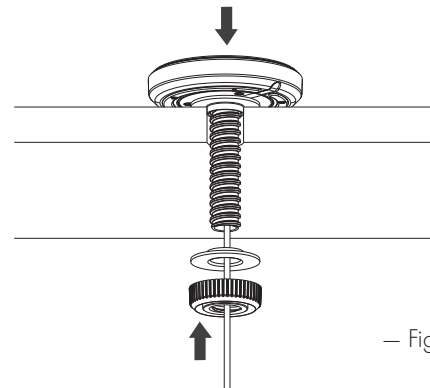
— Figure 5 —



— Figure 6 —



— Figure 7 —



— Figure 8 —



QSC Self Help Portal

Read knowledge base articles and discussions, download software and firmware, view product documents and training videos, and create support cases.

<https://qscprod.force.com/selfhelpportal/s/>

Customer Support

Refer to the Contact Us page on the QSC website for Technical Support and Customer Care, including their phone numbers and hours of operation.

<https://www.qsc.com/contact-us/>

Warranty

For a copy of the QSC Limited Warranty, visit the QSC, LLC., website at www.qsc.com.