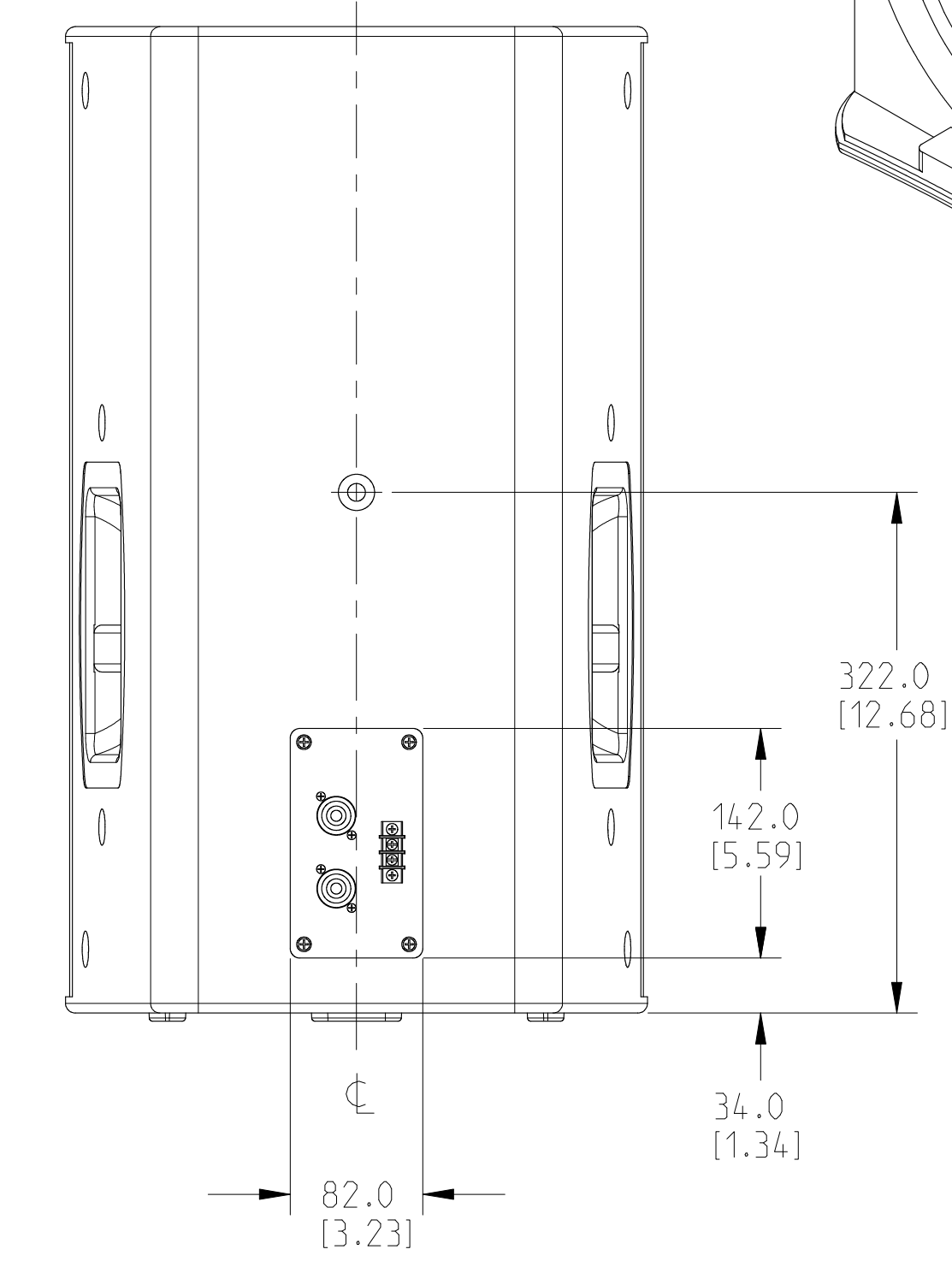
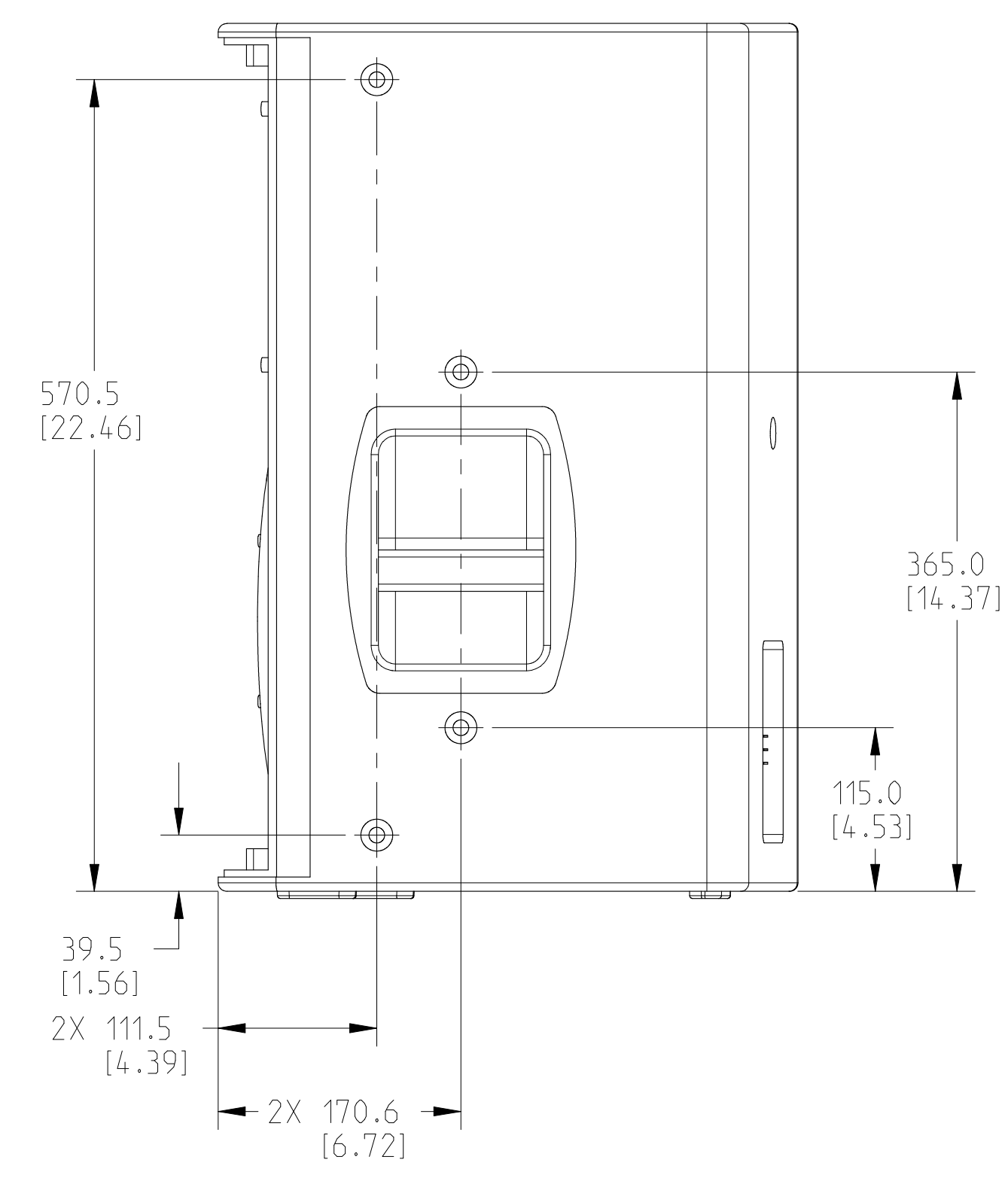
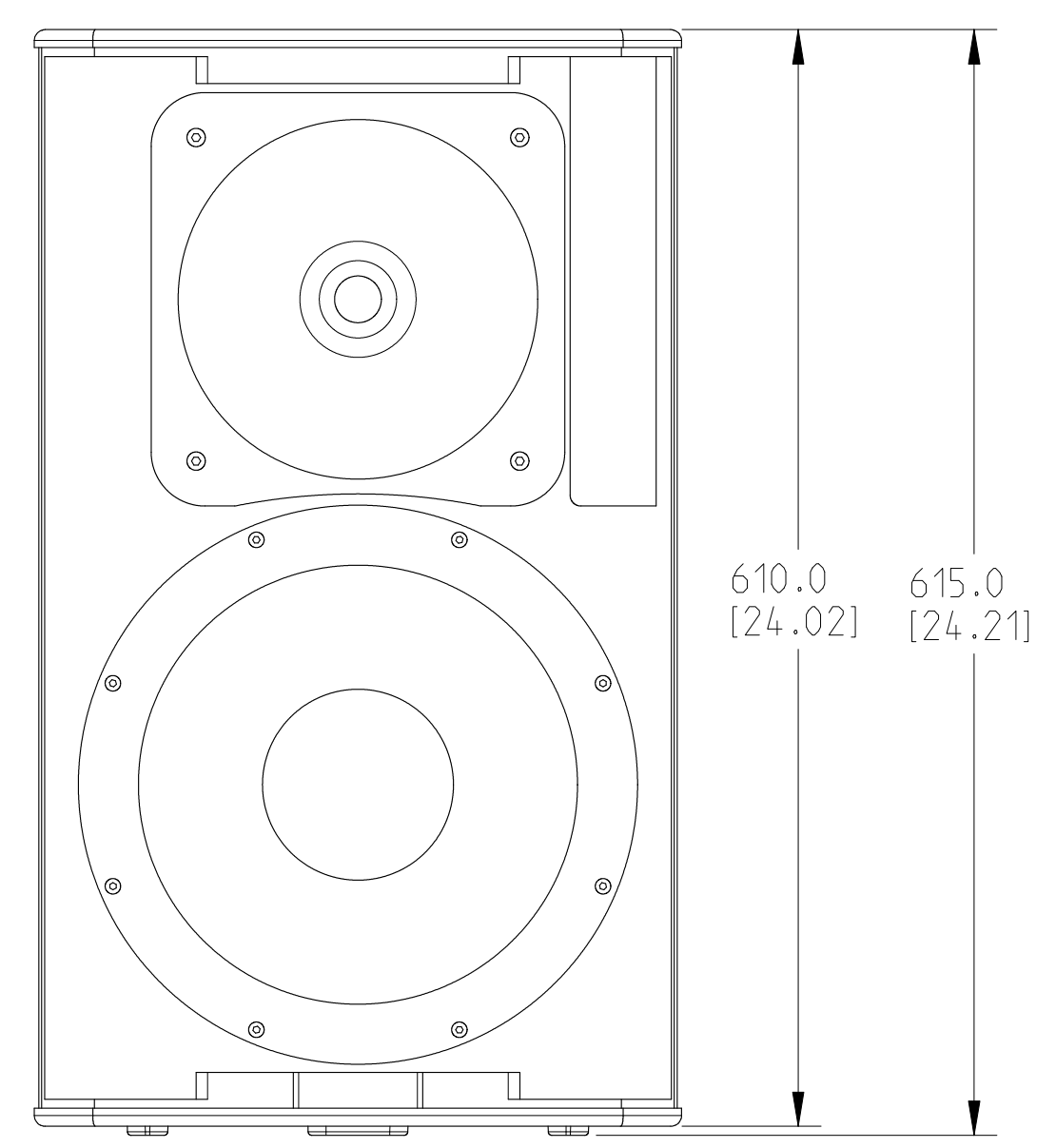
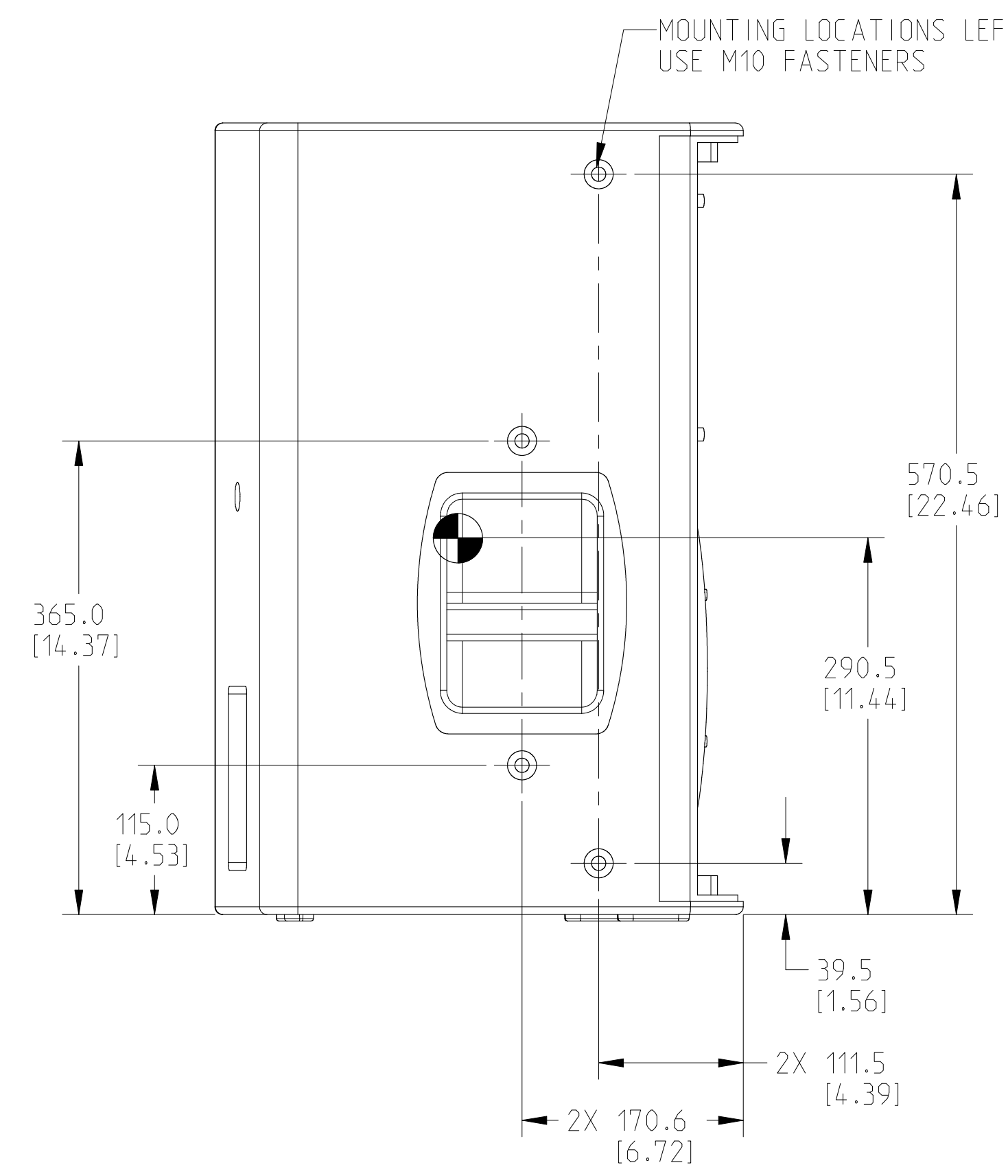
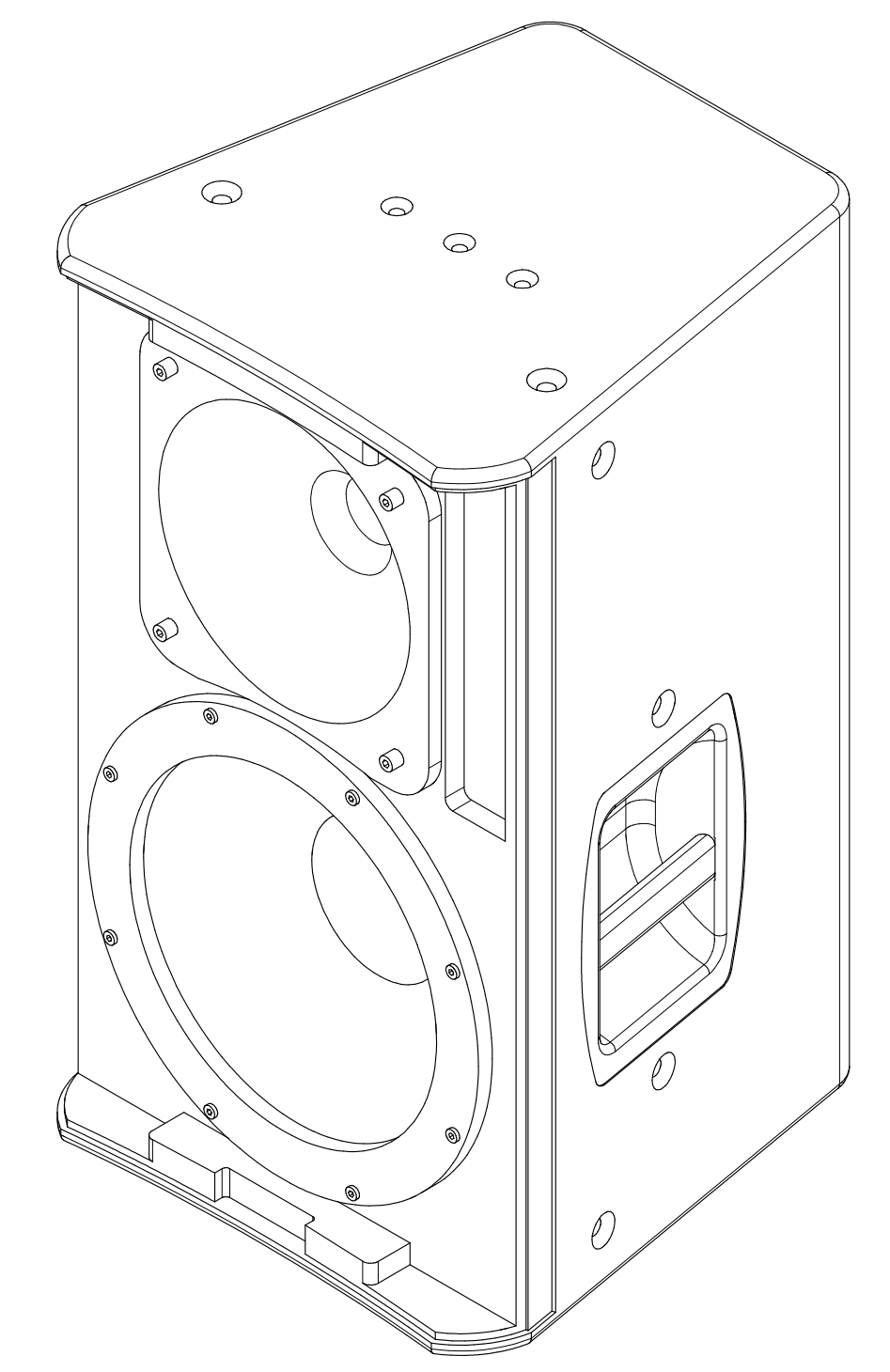
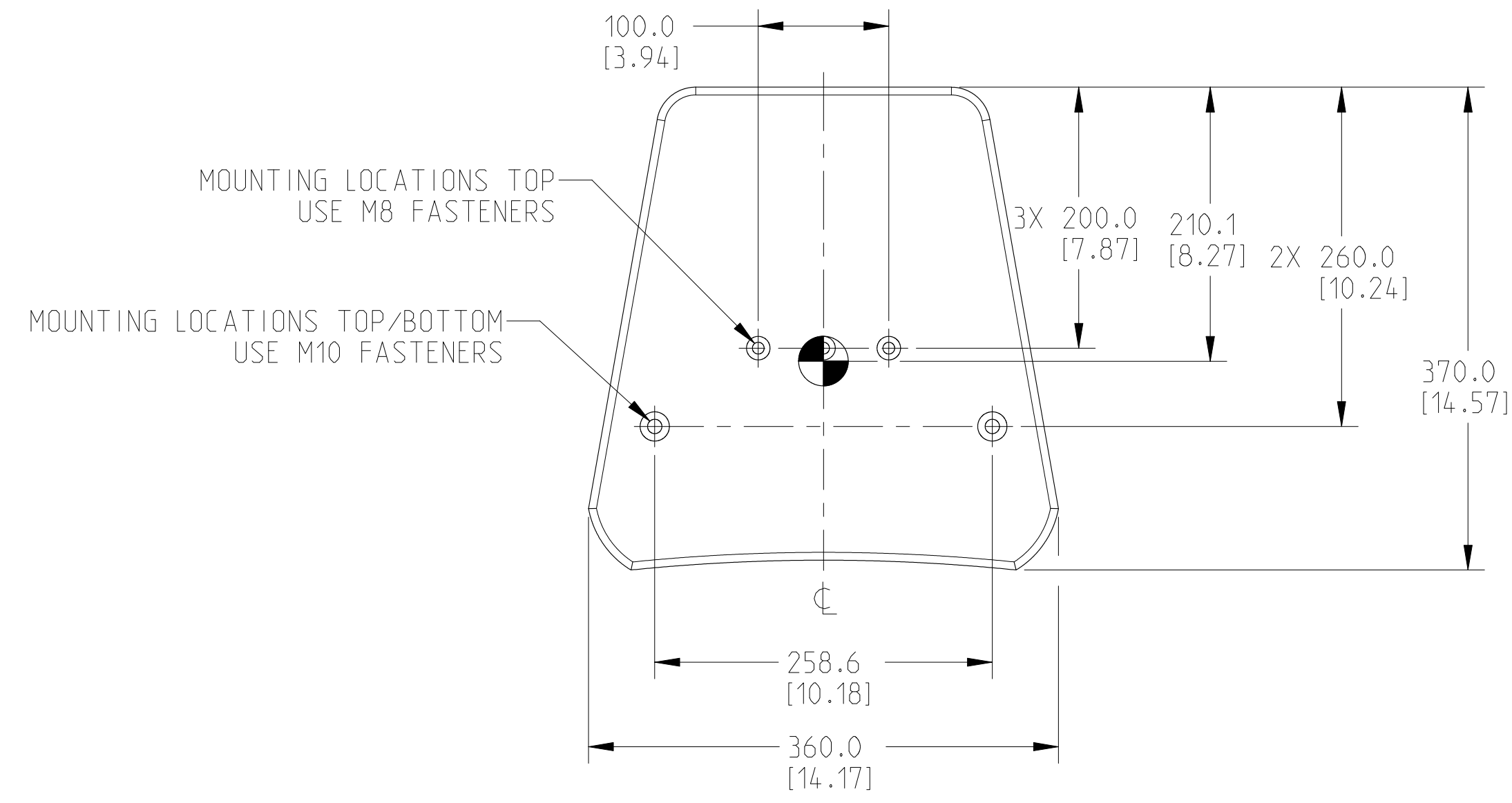


THIS DOCUMENT CONTAINS PROPRIETARY INFORMATION WHICH IS THE PROPERTY OF QSC, LLC. THAT MAY NOT BE DISCLOSED, REPRODUCED OR USED WITHOUT EXPRESS WRITTEN CONSENT FROM QSC, LLC.

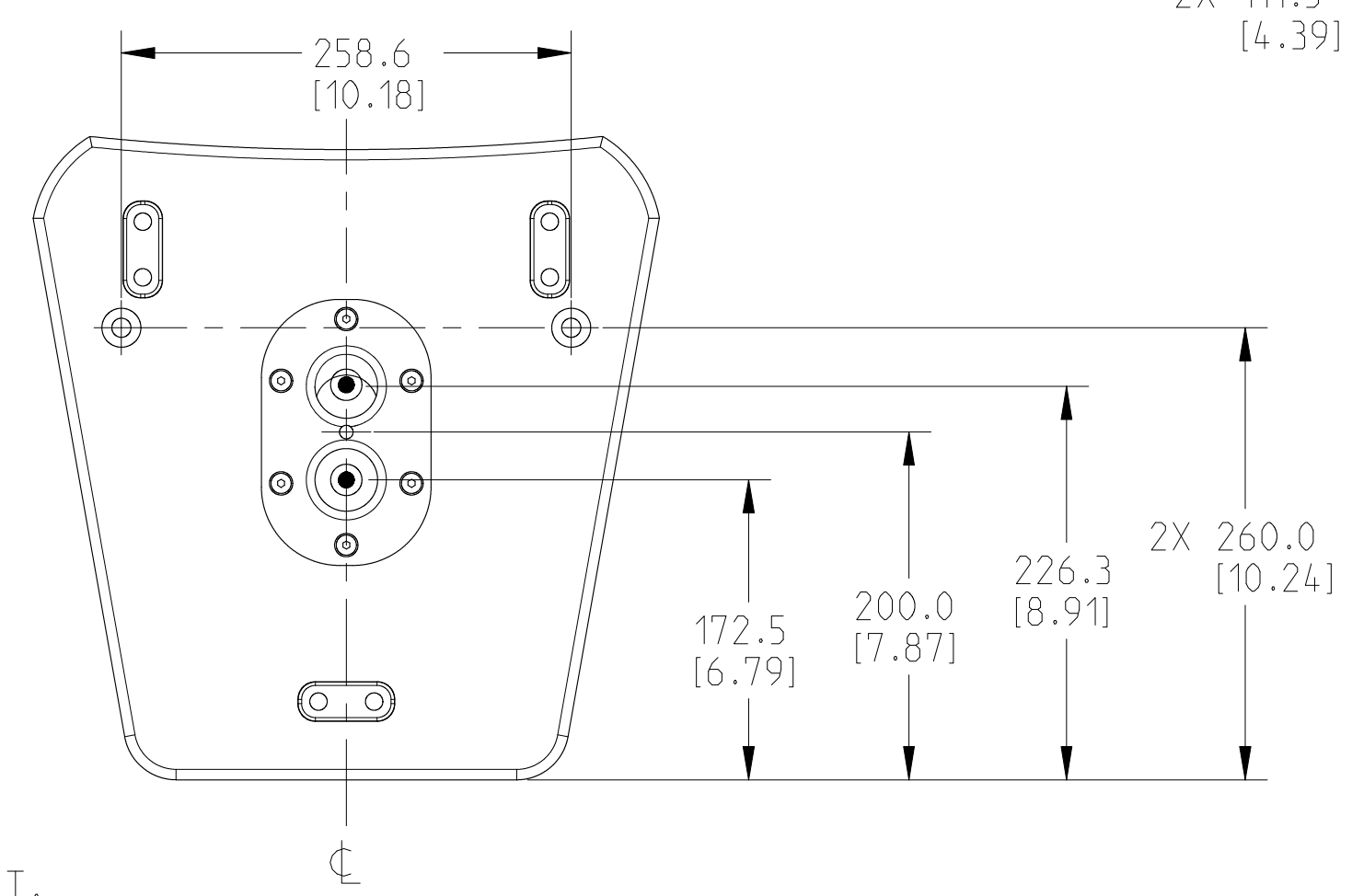
REVISIONS			
REV	DESCRIPTION	BY	DATE
A	RELEASE FOR SALES AND MARKETING	ES	2-MAR-18



LEFT SIDE VIEW

RIGHT SIDE VIEW

REAR VIEW



- NET WEIGHT APPROX. 0.45 KG [49.1 LBS].
- TOLERANCES (MM): X ± 3. ANGLES: ± 1°.
- SYMBOL INDICATES SUSPENSION POINT, 16 TOTAL: 3 X M8-1.5 THD, 13 X M10-1.5 THD.
- SYMBOL INDICATES POLE MOUNT LOCATION, DUAL-ANGLE 35MM POLE SOCKET.
- SYMBOL INDICATES CENTER OF BALANCE.
- PARTS ARE SYMMETRICAL ABOUT CENTER LINES UNLESS OTHERWISE NOTED.
- DIMENSIONS ARE IN MILLIMETERS [INCH].
- GRILLE NOT SHOWN FOR CLARITY.

NOTE: UNLESS OTHERWISE SPECIFIED

UNLESS OTHERWISE SPECIFIED DIMENSIONS IN MILLIMETERS (IN) TOLERANCES ARE: DECIMALS DECIMALS ANGLES .X±.5(.02) .XX±.25(.010) ± 1/2 DEBURR EDGES .25 (.010) R MAX	DESIGNER ENG. SERVICES	QSC QSC, LLC 1675 MACARTHUR BOULEVARD COSTA MESA, CA 92626	LOUDSPEAKER, E112-BK, 12" 2-WAY
	ENGINEER		
MATERIAL	TECHNICAL DIRECTOR	SIZE D	REV A
FINISH	MANUFACTURING ENGINEER	CAGE CODE 00PW4	DRAWING NO. FG-901262-2D
	DRAWING INFO: FG-901262-2D.A.0	SCALE: 0.250	DO NOT SCALE DRAWING SHEET 1 OF 1
	MODEL INFO: FG-901262-3D.A.0		